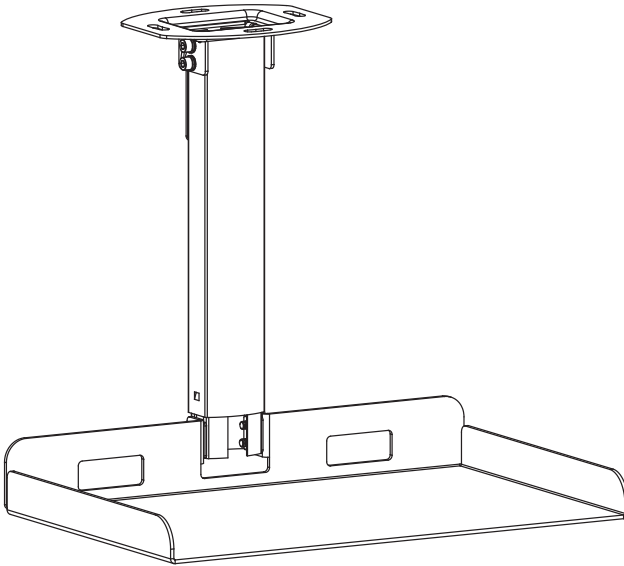


Extending Ceiling Projector Tray Mount Instruction Manual



SKU: MOUNT-VP08B/W



Scan the QR code with your mobile device or follow the link for helpful videos and specifications related to this product.

<https://vivo-us.com/products/mount-vp08b>

GET IN TOUCH | Monday-Friday from 7:00am-7:00pm CST



help@vivo-us.com



www.vivo-us.com
Chat live with an agent!



309-278-5303

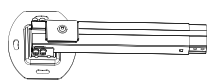
WARNING!

If you do not understand these directions, or if you have any doubts about the safety of the installation, please call a qualified technician. Check carefully to make sure there are no missing or defective parts. Improper installation may cause damage or serious injury. Do not use this product for any purpose that is not explicitly specified in this manual. Do not exceed weight capacity. We cannot be liable for damage or injury caused by improper mounting, incorrect assembly or inappropriate use.

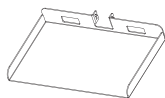
WARNING: CHOKING HAZARD

SMALL PARTS - NOT FOR CHILDREN UNDER 3 YEARS. ADULT SUPERVISION IS REQUIRED.

PACKAGE CONTENTS



A (x1)
Mount



B (x1)
Tray



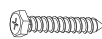
S-A (x2)
Plastic Spacer



S-B (x2)
Threaded Plate



S-C (x4)
M5x12mm
Screw



W-A (x4)
ST6X55mm
Screw



W-B (x4)
Concrete Spacer



M-C (x4)
M6 Washer



T-A (x1)
4mm Allen
Wrench

NOTE: SOME HARDWARE INCLUDED MAY NOT BE USED

CAUTION!

DO NOT INSTALL INTO DRYWALL ALONE. VERIFY YOUR CEILING CONSTRUCTION. USE WOOD STUDS TO MOUNT. We include mounting for brick and concrete. If unsure, please contact us at vivo-us.com, email at help@vivo-us.com, or call us at 309-278-5303.

TOOLS NEEDED



Drill



Phillips
Screwdriver



Pencil



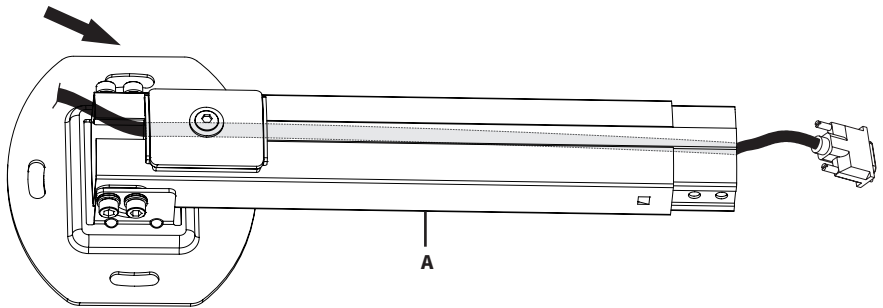
DO NOT EXCEED WEIGHT CAPACITY.
Failure to do so may result in serious injury.

ASSEMBLY STEPS

STEP 1

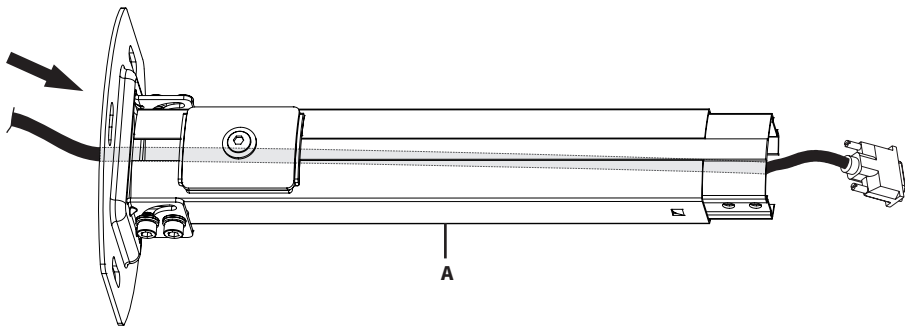
OPTION A:

Run cables through arm (A).



OPTION B:

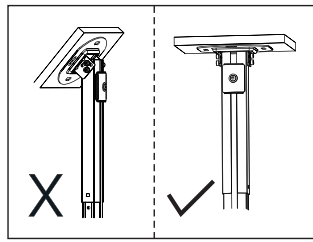
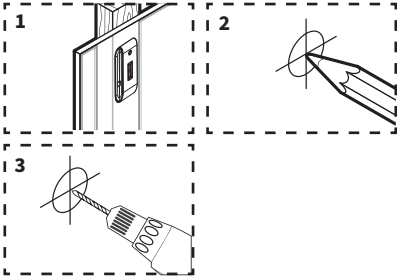
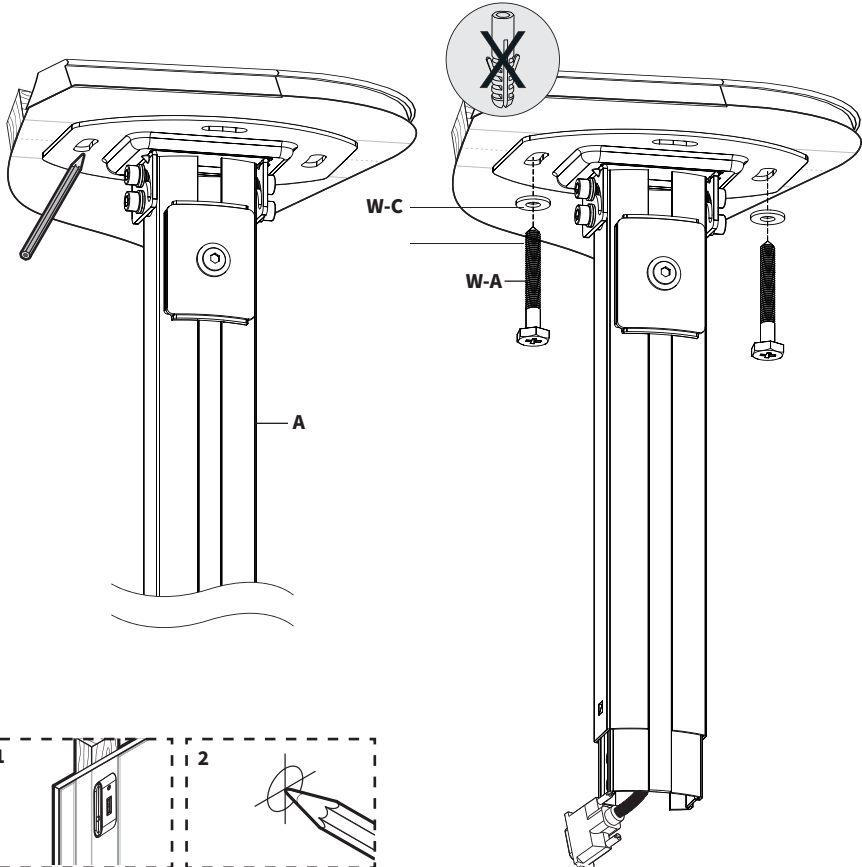
If running cables through ceiling, pull cables through top plate of arm (A).



STEP 2

OPTION A: Drywall Mounting

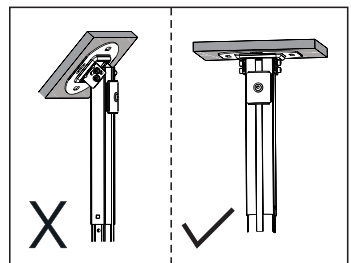
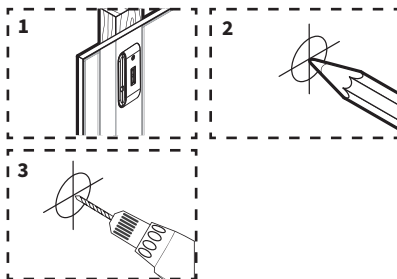
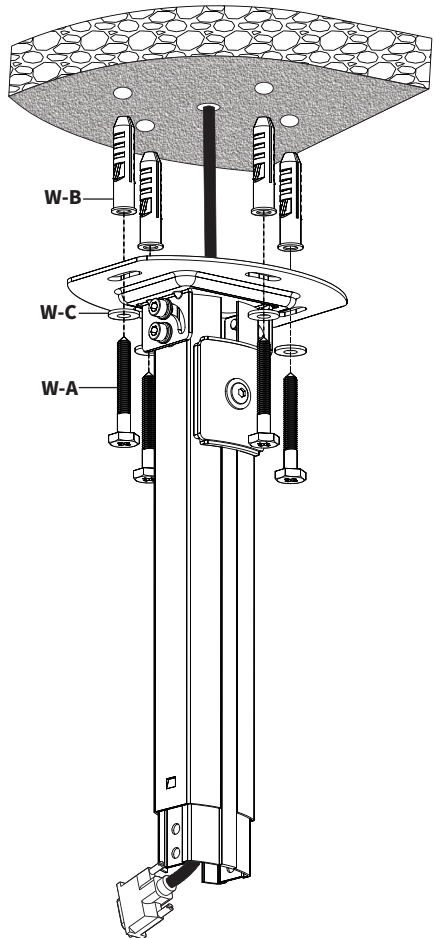
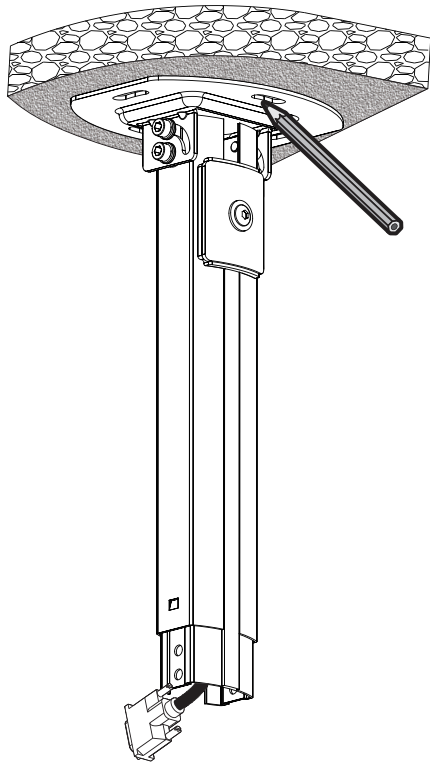
Use top plate of Mount (A) to mark mounting holes on ceiling. Using a 3/16" drill bit, drill approximately 2.2" into ceiling stud. Put Mount (A) in place and mount to the pre-drilled holes using ST6x55 Screws (W-A) and M6 Washers (W-C) as shown below.



STEP 2 (Continued)

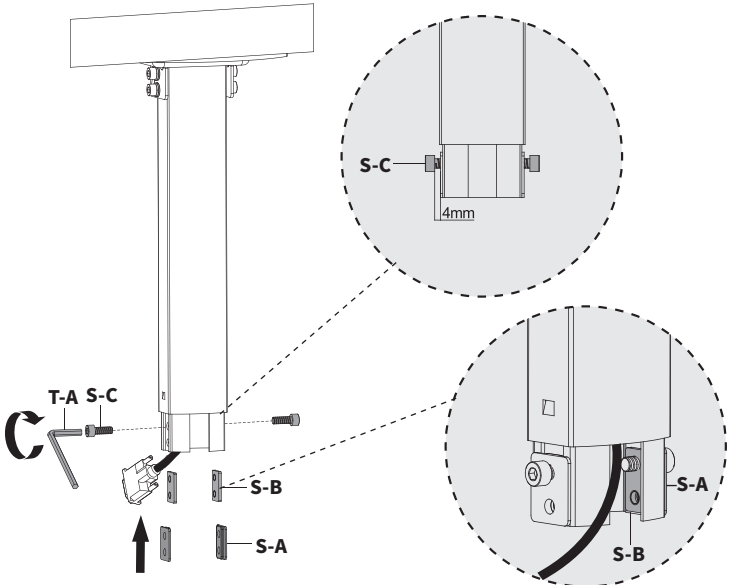
OPTION B: Concrete/Brick Mounting

Use top plate of Mount (A) to mark mounting holes on ceiling. Using a $\frac{3}{8}$ " drill bit, drill approximately 2.4" into ceiling. Use Concrete Anchors (W-B), ST6x55mm Screws (W-A), and M6 Washers (W-C) to mount Mount (A) as shown below.

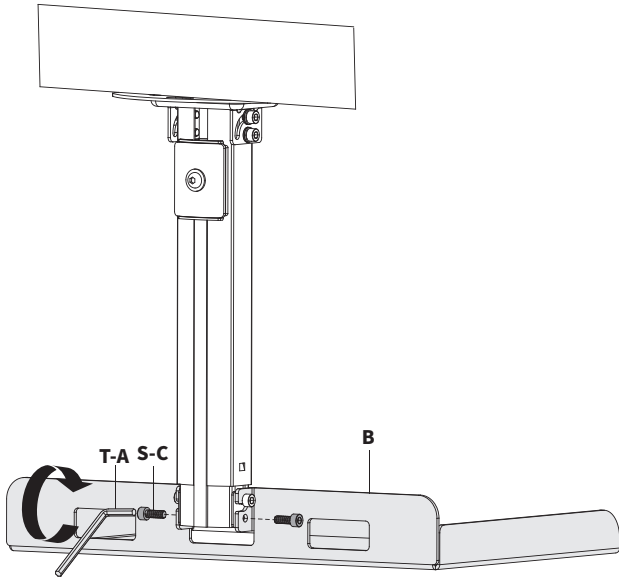


STEP 3

Use two upper set of holes on the bottom of Mount (A) to install two M5x12mm Screws (S-C), Plastic Spacer (S-A), and Threaded Plate (T-A) using 4mm Allen Wrench (T-A), leaving a 4mm screw gap.

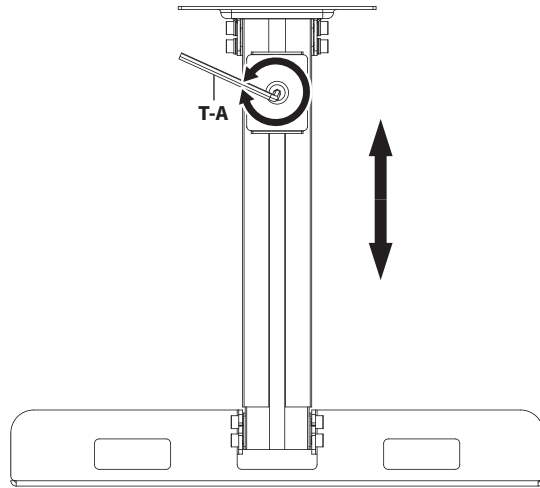


Latch Shelf (B) onto previous installed screws and install remaining M5x12mm Screws (S-C) in remaining set of holes. Secure all screws with 4mm Allen Wrench (T-A).

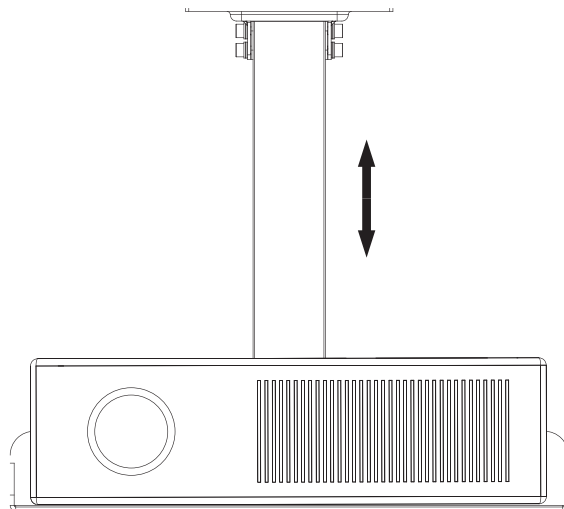


STEP 4

To adjust height, use 4mm Allen Wrench (**T-A**) to loosen set screw in back of mount. Adjust height and re-tighten to secure.



Place projector on assembly and connect power with previous installed cables.





Open **Monday - Friday 7:00am - 7:00pm** CST,
our dedicated support team can offer immediate assistance with rapid response times. If any parts are received damaged or defective, please contact us. We are happy to replace parts to ensure you have a fully functioning product.



309-278-5303

AVG. RESOLUTION TIME (*within office hrs*): **5M 4S**



www.vivo-us.com
Chat live with an agent!

AVG. RESOLUTION TIME (*within office hrs*): **< 15 M**



help@vivo-us.com

AVG. RESPONSE TIME (*within office hrs*): **1HR 8M**

- 23% within < 15m
- 38% within < 30m
- 61% within < 1hr
- 83% within < 2hr
- 92% within < 3hr