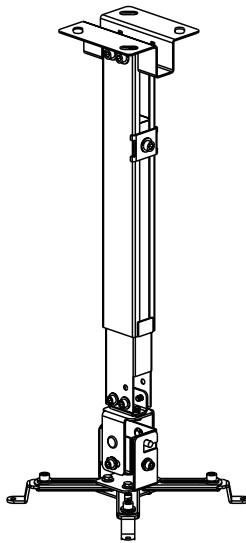


Black Projector Ceiling and Wall Mount Instruction Manual



SKU: MOUNT-VP06B



Scan the QR code with your mobile device or follow the link for helpful videos and specifications related to this product.

<https://vivo-us.com/products/mount-vp06b>

GET IN TOUCH | Monday-Friday from 7:00am-7:00pm CST



help@vivo-us.com



www.vivo-us.com
Chat live with an agent!



309-278-5303

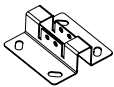
WARNING!

If you do not understand these directions, or if you have any doubts about the safety of the installation, please call a qualified technician. Check carefully to make sure there are no missing or defective parts. Improper installation may cause damage or serious injury. Do not use this product for any purpose that is not explicitly specified in this manual. Do not exceed weight capacity. We cannot be liable for damage or injury caused by improper mounting, incorrect assembly or inappropriate use.

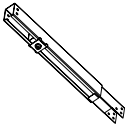
WARNING: CHOKING HAZARD

SMALL PARTS - NOT FOR CHILDREN UNDER 3 YEARS. ADULT SUPERVISION IS REQUIRED.

PACKAGE CONTENTS



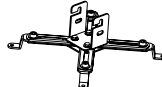
A (x1)
Ceiling Plate



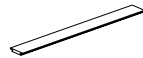
B (x1)
Pole



C (x1)
Bracket



D (x1)
Bracket



E (x1)
Cover



M-A (x6)
M5x10



M-B (x4)
M6x10



M-C (x4)
M5x8



M-D (x4)
M4x8



M-E (x4)
M3x8



M-F (x4)
D3 Washer



M-G (x4)
D4 Washer



M-H (x10)
D5 Washer



M-I (x2)
D5 Washer



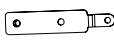
M-J (x4)
D6 Washer



M-K (x1)
Allen Wrench



M-L (x1)
Allen Wrench



M-M (x2)
Arm Extension



W-A (x4)
Screw



W-B (x4)
Anchor



W-C (x4)
Washer

NOTE: SOME HARDWARE INCLUDED MAY NOT BE USED

CAUTION!

DO NOT INSTALL INTO DRYWALL ALONE. VERIFY YOUR CEILING CONSTRUCTION. USE WOOD STUDS TO MOUNT. We include mounting for brick and concrete. If unsure, please contact us at [vivo-us.com](mailto:help@vivo-us.com), email at help@vivo-us.com, or call us at 309-278-5303.

TOOLS NEEDED



DO NOT EXCEED WEIGHT CAPACITY.

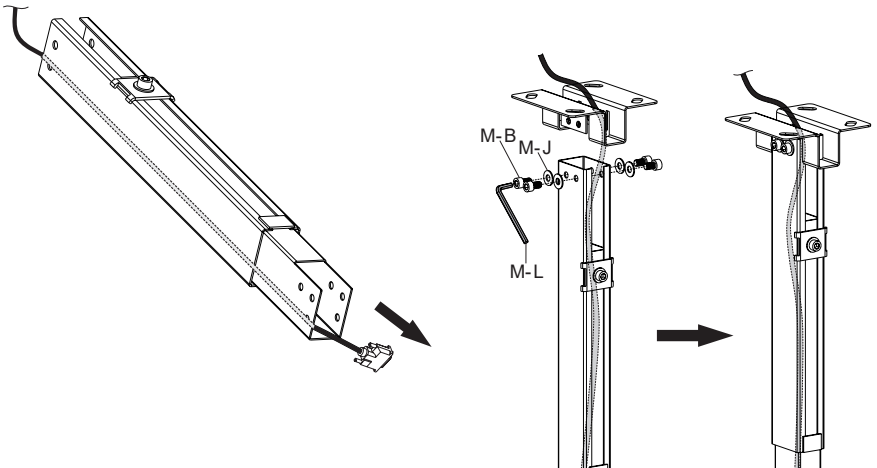
Failure to do so may result in serious injury.



ASSEMBLY STEPS

STEP 1

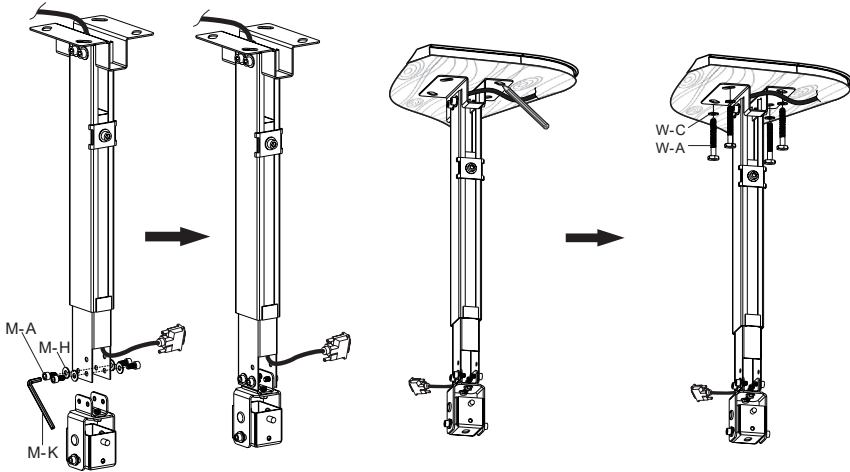
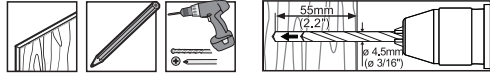
Route cables through telescopic pole (**B**). Route cables through ceiling plate (**A**). Attach ceiling plate to telescopic pole using M6x10 screws (**M-B**) and D6 washers (**M-J**), and tighten with large Allen wrench (**M-L**). Attach mounting bracket (**C**) to telescopic pole using x4 M5x10 screws (**M-A**) and x4 D5 washers (**M-H**), and tighten with small Allen wrench (**M-K**).



STEP 2

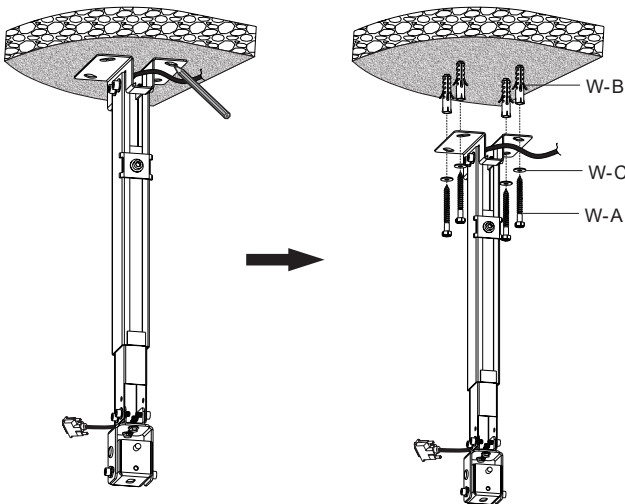
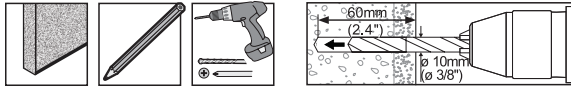
OPTION A: Wood Ceiling Installation

Position ceiling plate against ceiling and mark drill locations with a pencil. Use of a stud finder is recommended with wood beam ceilings. Drill 2.2" (55mm) deep holes using a 3/16" (4.5mm) drill bit. Mount ceiling plate using screws (W-A) and washers (W-C).



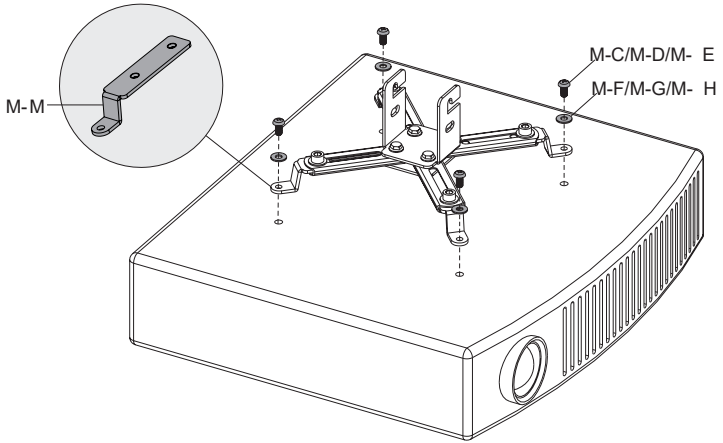
OPTION B: Concrete Ceiling Installation

Position ceiling plate against ceiling and mark drill locations with a pencil. Drill 2.4" (60mm) deep holes using a 3/8" (10mm) drill bit. Press concrete anchors (W-B) into holes. Mount ceiling plate using screws (W-A) and washers (W-C). Please note, anchors are designed for use in concrete and are not suitable for use in drywall.



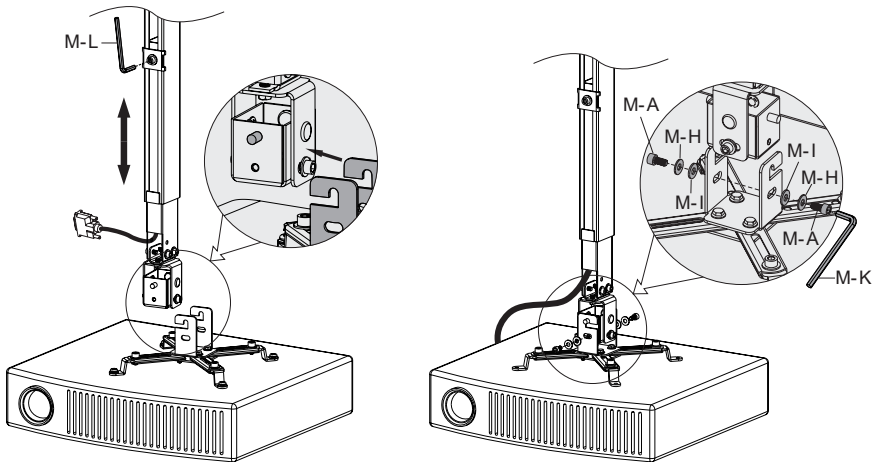
STEP 3

Install projector mounting bracket (**D**) to projector using appropriate screws (**M-C, M-D, M-E**) and washers (**M-F, M-G, M-H**). For projectors with uneven mounting holes, swap appropriate arm extensions with alternate extensions (**M-M**). Please note, if your projector has only three mounting holes, simply leave one mounting arm unused.



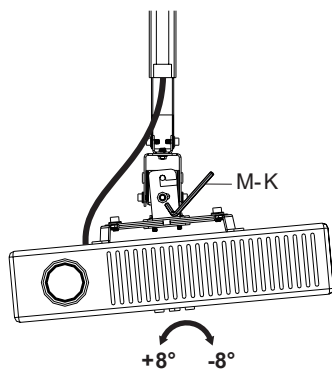
STEP 4

Hang projector with mounting bracket over mounting bracket. Secure using x2 M5x10 screws (**M-A**), D5 washers (**M-H**) and plastic D5 washers (**M-I**) with small Allen wrench (**M-K**).



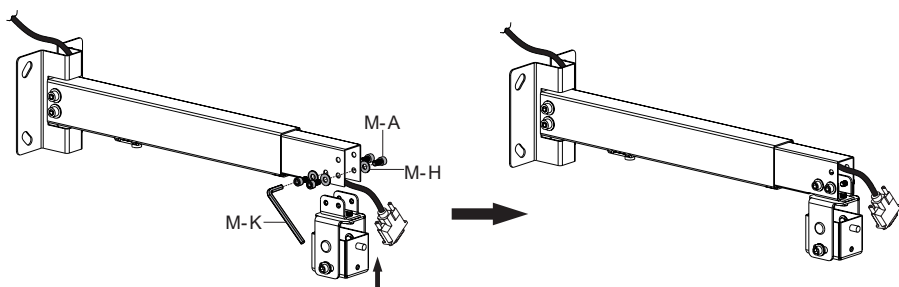
STEP 5

Adjust tilt angle and secure with small Allen wrench (**M-K**).



STEP 6

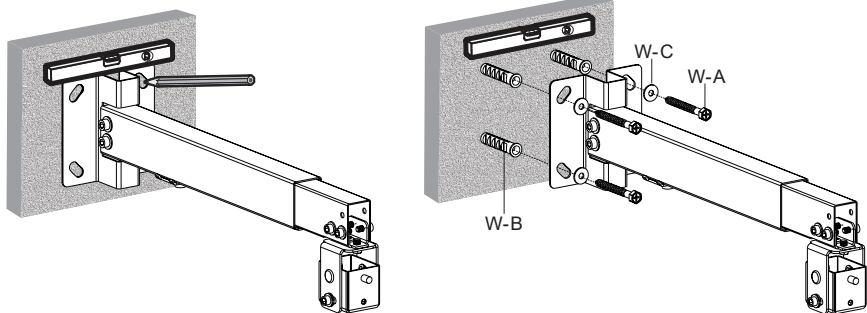
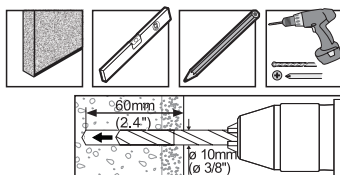
Attach mounting bracket (**C**) to telescopic pole in alternate position using x4 M5x10 screws (**M-A**) and x4 D5 washers (**M-H**), and tighten with small Allen wrench (**M-K**).



STEP 7

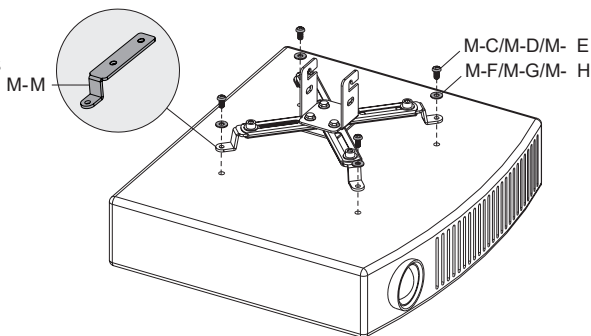
Brick/Concrete Wall Installation:

Position ceiling plate against wall and mark drill locations with a pencil. Drill 2.4" (60mm) deep holes using a 3/8" (10mm) drill bit. Press concrete anchors (**W-B**) into holes. Mount ceiling plate using screws (**W-A**) and washers (**W-C**).



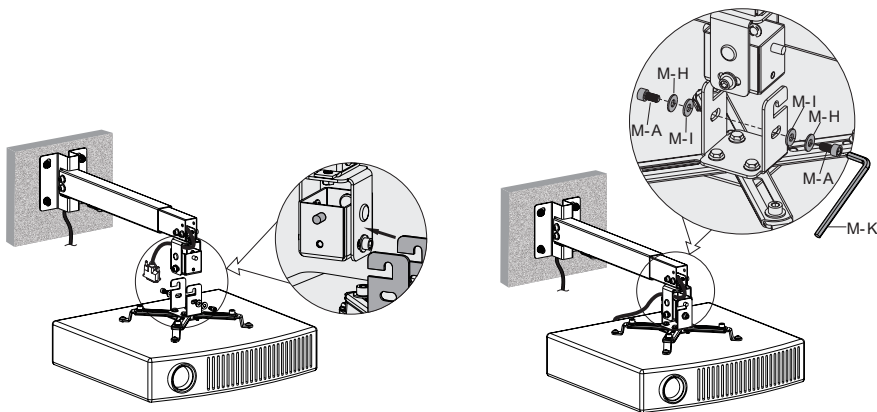
STEP 8

Install projector mounting bracket **(D)** to projector using appropriate screws **(M-C, M-D, M-E)** and washers **(M-F, M-G, M-H)**. For projectors with uneven mounting holes, swap appropriate arm extensions with alternate extensions **(M-M)**. Please note, if your projector has only three mounting holes, simply leave one mounting arm unused.



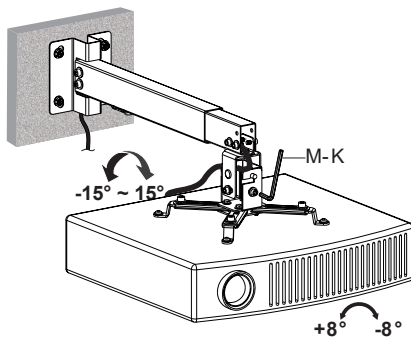
STEP 9

Hang projector with mounting bracket over mounting bracket. Secure using x2 M5x10 screws **(M-A)**, D5 washers **(M-H)** and plastic D5 washers **(M-I)** with small Allen wrench **(M-K)**.



STEP 10

Adjust tilt angle and secure with small Allen wrench **(M-K)**.





Open **Monday - Friday 7:00am - 7:00pm** CST,

our dedicated support team can offer immediate assistance with rapid response times. If any parts are received damaged or defective, please contact us. We are happy to replace parts to ensure you have a fully functioning product.



309-278-5303

AVG. RESOLUTION TIME *(within office hrs):* **5M 4S**



www.vivo-us.com
Chat live with an agent!

AVG. RESOLUTION TIME *(within office hrs):* **< 15 M**



help@vivo-us.com

AVG. RESPONSE TIME *(within office hrs):* **1HR 8M**

- 23% within < 15m
- 38% within < 30m
- 61% within < 1hr
- 83% within < 2hr
- 92% within < 3hr