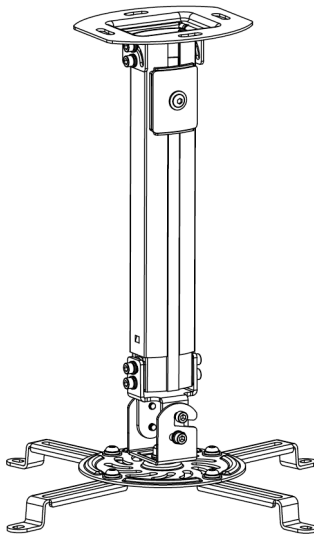




Extending Projector Ceiling Mount Instruction Manual



SKU: MOUNT-VP02B/W



Scan the QR code with your mobile device or follow the link for helpful videos and specifications related to this product.

<https://vivo-us.com/products/mount-vp02b>

GET IN TOUCH | Monday-Friday from 7:00am-7:00pm CST



help@vivo-us.com



www.vivo-us.com
Chat live with an agent!



309-278-5303

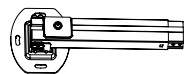
⚠ WARNING!

If you do not understand these directions, or if you have any doubts about the safety of the installation, please call a qualified technician. Check carefully to make sure there are no missing or defective parts. Improper installation may cause damage or serious injury. Do not use this product for any purpose that is not explicitly specified in this manual. Do not exceed weight capacity. We cannot be liable for damage or injury caused by improper mounting, incorrect assembly or inappropriate use.

⚠ WARNING: CHOKING HAZARD

SMALL PARTS - NOT FOR CHILDREN UNDER 3 YEARS. ADULT SUPERVISION IS REQUIRED.

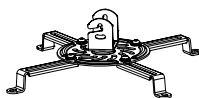
PACKAGE CONTENTS



A (x1)
Arm



B (x1)
Bracket



C (x1)
Mounting Bracket



M-A (x4)
M3x8mm Screw



M-B (x4)
M4x10mm Screw



M-C (x4)
M5x10mm Screw



M-D (x4)
M6x10mm Screw



M-E (x4)
M3 OD-10
Washer



M-F (x4)
M4 OD-10
Washer



M-G (x4)
M5 OD-12
Washer



M-H (x4)
M6 OD-12 Washer



S-A (x6)
M5x12mm
Screw



S-B (x6)
M5 OD-10
Washer



S-C (x6)
M5 OD-10
Plastic Washer



S-D (x2)
Spacer



S-E (x2)
Plate



W-A (x4)
Screw



W-B (x4)
Anchor



W-C (x4)
M6 OD-16
Washer



T-A (x1)
4mm Allen Wrench

NOTE: SOME HARDWARE INCLUDED MAY NOT BE USED

WASHER SPECIFICATION KEY

M	Compatible Screw Size
OD	Outside Diameter

⚠ CAUTION!

DO NOT INSTALL INTO DRYWALL ALONE. VERIFY YOUR CEILING CONSTRUCTION. USE WOOD STUDS TO MOUNT. We include mounting for brick and concrete. If unsure, please contact us at vivo-us.com, email at help@vivo-us.com, or call us at 309-278-5303.

TOOLS NEEDED



DO NOT EXCEED WEIGHT CAPACITY.
Failure to do so may result in serious injury.

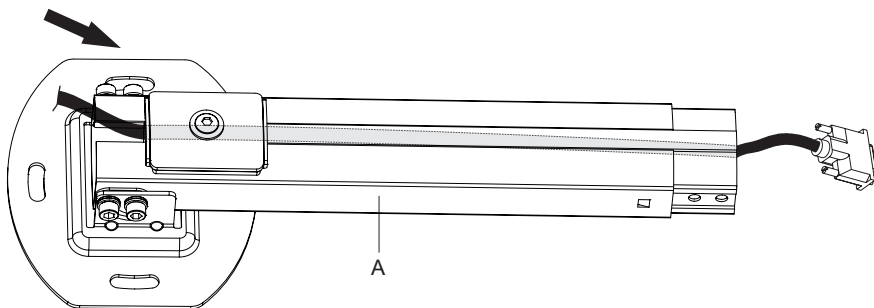


ASSEMBLY STEPS

STEP 1

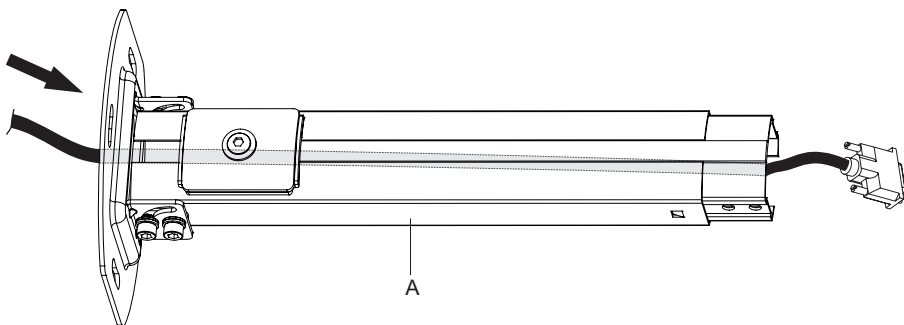
OPTION A:

Run cables through Arm (A).



OPTION B:

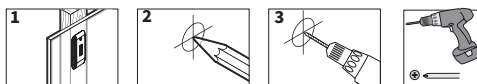
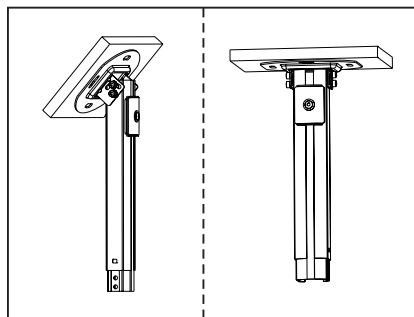
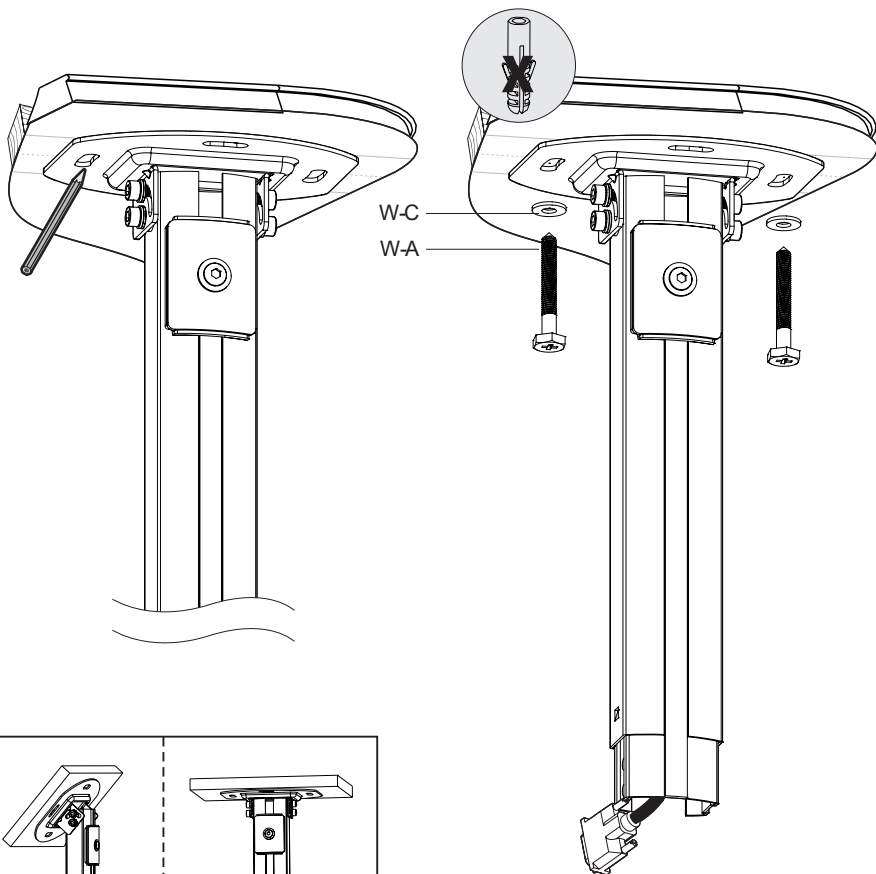
If running cables through ceiling, pull cables through top plate of Arm (A).



STEP 2

OPTION A: Wood Ceiling Joist Installation

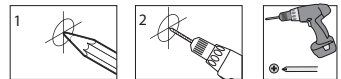
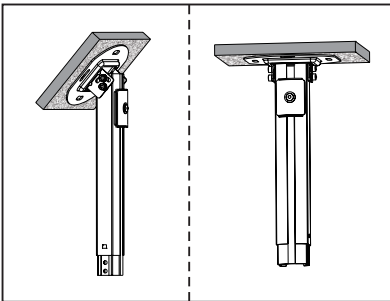
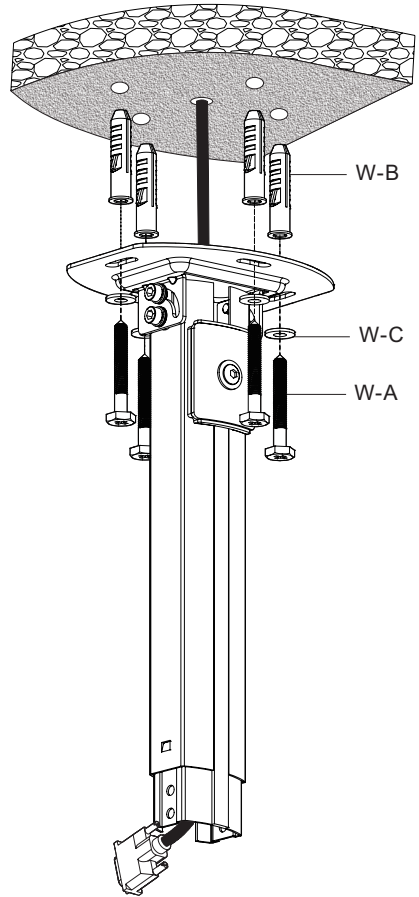
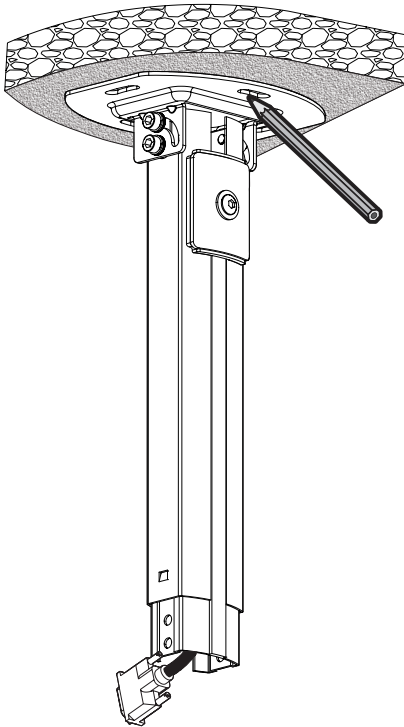
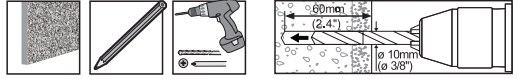
Use top plate of Arm (A) to mark mounting holes on ceiling. Using a 3/16" drill bit, drill approximately 2.2" into ceiling stud. Put Arm (A) in place and mount to the pre-drilled holes using Screws (W-A) and M6 OD-16 Washers (W-C) as shown in diagram.



STEP 2 (Continued)

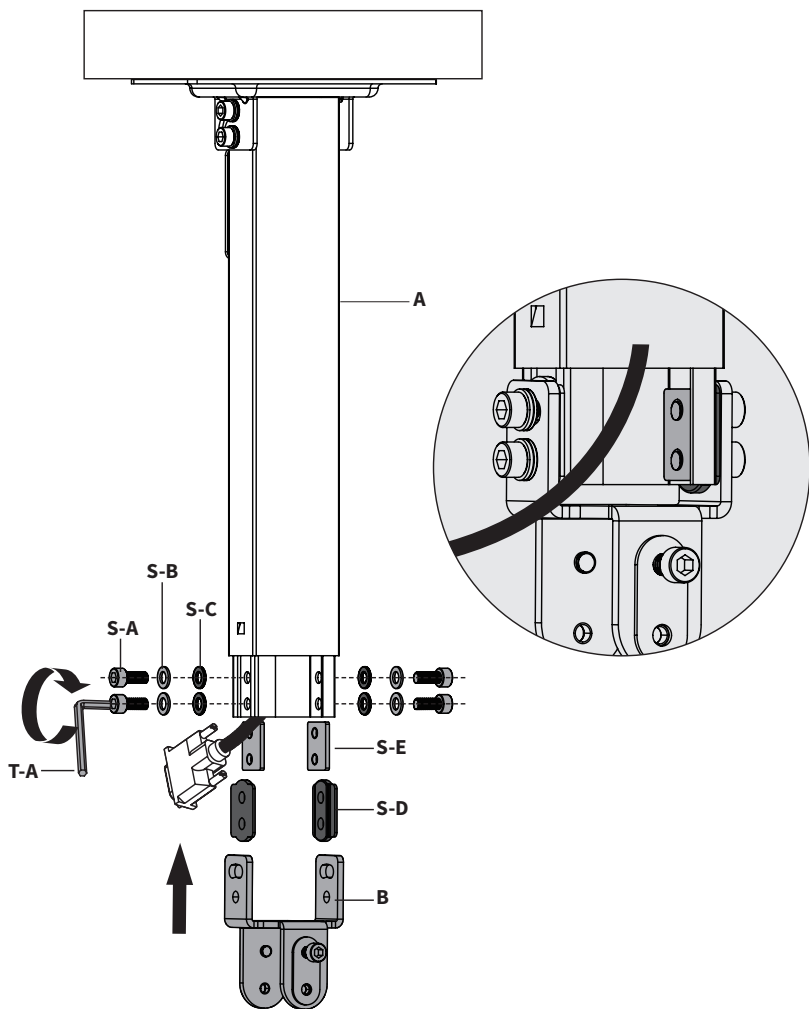
OPTION B: Concrete/Brick Mounting

Use top plate of Arm (A) to mark mounting holes on ceiling. Using a $\frac{3}{8}$ " drill bit, drill approximately 2.4" into ceiling. Use Anchors (W-B), Screws (W-A), and M6 OD-16 Washers (W-C) to mount Arm (A) as shown in diagram.



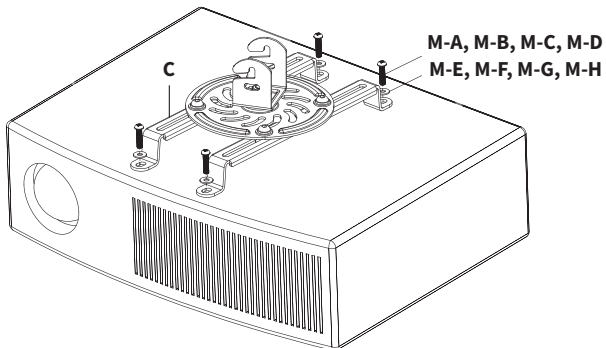
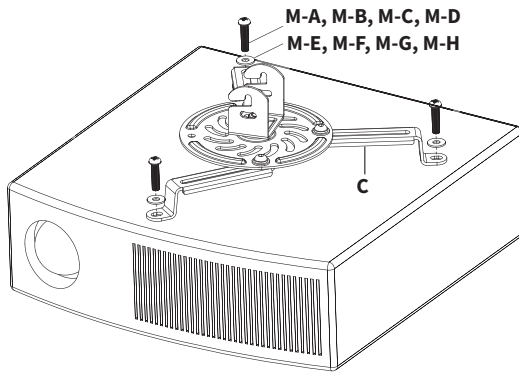
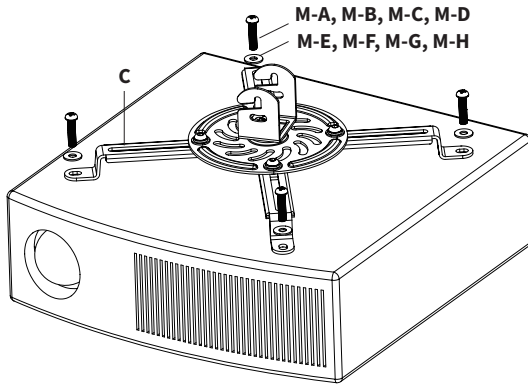
STEP 3

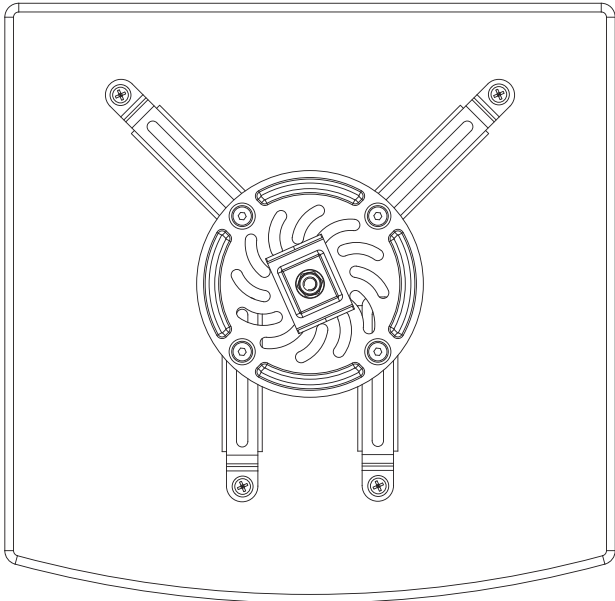
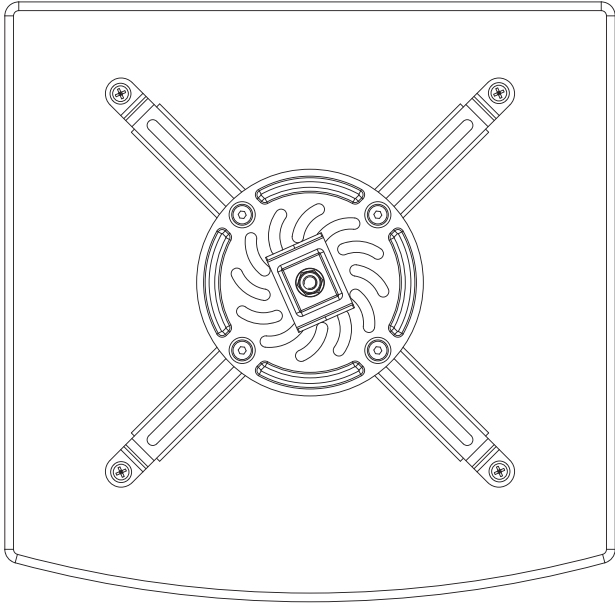
Mount Bracket (**B**) to Arm (**A**) using Spacers (**S-D**), Plates (**S-E**), M5x12mm Screws (**S-A**), and Washers (**S-B, S-C**). Tighten using 4mm Allen Wrench (**T-A**).



STEP 4

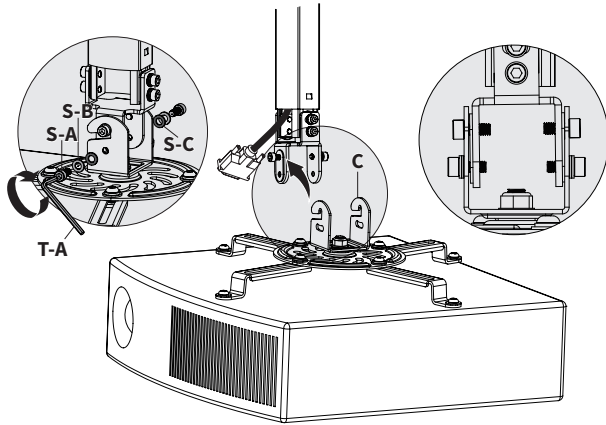
Align arms on Mounting Bracket (C) with mounting holes in projector, and secure to projector using Screws (M-A through M-D) and Washers (M-E through M-H) most appropriate for your projector. If your projector has 3 mounting holes, simply remove one of the arms.





STEP 5

Secure Mounting Bracket (C) using M5x12mm Screws (S-A), M5 OD-10 Washers (S-B) and M5 OD-10 Plastic Washers (S-C). Tighten with 4mm Allen Wrench (T-A).

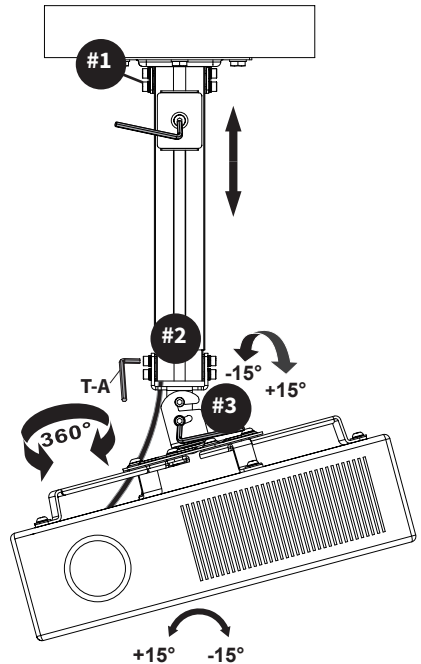


STEP 6

Adjust height and tilt of mount using the allen wrench (T-A).

Adjustment #1: Use for pitched ceiling applications ONLY.

Adjustment #2 & #3: Adjust tilt angle using one or both of these adjustments.



[PAGE INTENTIONALLY LEFT BLANK]

[PAGE INTENTIONALLY LEFT BLANK]



Open **Monday - Friday 7:00am - 7:00pm** CST,
our dedicated support team can offer immediate assistance with rapid response times. If any parts are received damaged or defective, please contact us. We are happy to replace parts to ensure you have a fully functioning product.



309-278-5303

AVG. RESOLUTION TIME (*within office hrs*): **5M 4S**



www.vivo-us.com
Chat live with an agent!

AVG. RESOLUTION TIME (*within office hrs*): **< 15 M**



help@vivo-us.com

AVG. RESPONSE TIME (*within office hrs*): **1HR 8M**

- 23% within < 15m
- 38% within < 30m
- 61% within < 1hr
- 83% within < 2hr
- 92% within < 3hr