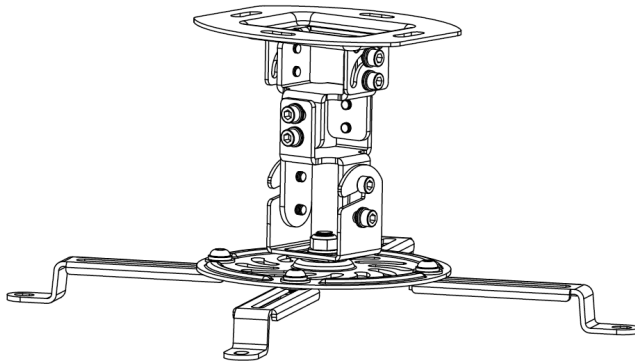


Projector Ceiling Mount
SKU: MOUNT-VP01B/W
Instruction Manual



ASSEMBLY VIDEO AVAILABLE:

Follow along step-by-step with our video walk through by scanning the QR code with your mobile device or by following the product link: vivo-us.com/products/mount-vp01b

Contact Us First!

DO NOT RETURN ITEM

Our friendly product support team is here to help!



PERSONABLE CUSTOMER SUPPORT

7AM - 7PM

Monday-Friday



Give us a Call:
309-278-5303



Chat Us:
www.vivo-us.com



Email Us:
help@vivo-us.com

We're Here for You!

Our customer-minded support team is here for YOU,

Monday-Friday 7am-7pm CST.

We offer immediate assistance with rapid response times from customer service agents and product technicians to help you every step of the way!



Missing a Part?

If any parts are received damaged / defective OR you are missing a part, please reach out to us ***within 30 days of product delivery to have it replaced at no cost.***

We are happy to replace parts to ensure you have a fully functioning product

PRE-ASSEMBLY | BEFORE YOU BEGIN



If you do not understand these directions, or if you have any doubts about the safety of the installation, please call a qualified technician. Check carefully to make sure there are no missing or defective parts. Improper installation may cause damage or serious injury. Do not use this product for any purpose that is not explicitly specified in this manual. Do not exceed weight capacity. We cannot be liable for damage or injury caused by improper mounting, incorrect assembly or inappropriate use.

WARNING: CHOKING HAZARD

SMALL PARTS - NOT FOR CHILDREN UNDER 3 YEARS. ADULT SUPERVISION IS REQUIRED.

TIPOVER WARNING

SERIOUS OR FATAL CRUSHING INJURIES CAN OCCUR FROM TIPOVER. TO HELP PREVENT TIPOVER:

- NEVER ALLOW CHILDREN TO CLIMB, STAND, HANG, OR PLAY ON ANY PART OF TV OR TV CART.
- USE TIPOVER RESTRAINT OR ANCHOR STAND TO WALL

USE OF TIPOVER RESTRAINTS MAY ONLY REDUCE, BUT NOT ELIMINATE RISK OF TIPOVER.

WEIGHT CAPACITY

DO NOT EXCEED WEIGHT CAPACITY. Failure to do so may result in serious injury.



30lbs
(13.61kg)



Product Warranty

For the most up to date details on your product's warranty, please visit the product's listing on our website or reach out to customer support.

vivo-us.com/products/mount-vp01b



Returns | Product Didn't Work Out?

We offer a hassle-free 30 day return on all products. Contact customer support at 309-278-5303 or help@vivo-us.com. Please note: For items ordered in error or no longer needed, the return shipping charges will be at the buyer's expense.

TOOLS NEEDED:



Phillips Screwdriver



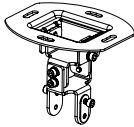
Drill

DIFFICULTY LEVEL

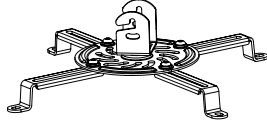


PACKAGE CONTENTS

Please consult the parts list below and ensure you have everything you need to assemble your product. If parts are missing or damaged, please contact us.



A (x1)
Ceiling Mount



B (x1)
Mounting Bracket



S-A (x2)
M5x12mm
Screw



S-B (x2)
M5 OD-10
Washer



S-C (x2)
M5 OD-10 Plastic
Washer



S-D (x1)
1/4-20 x 3/8"
Screw



S-E (x1)
M6.5 Washer



M-A (x4)
M3x8mm Screw



M-B (x4)
M4x10mm Screw



M-C (x4)
M5x10mm Screw



M-D (x4)
M6x10mm Screw



M-E (x4)
M3 OD-10
Washer



M-F (x4)
M4 OD-10
Washer



M-G (x4)
M5 OD-12
Washer



M-H (x4)
M6 OD-12
Washer



W-A (x4)
ST6x56mm
Screw



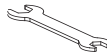
W-B (x4)
Concrete
Anchor



W-C (x4)
M6 OD-16
Washer



T-A (x1)
4mm Allen
Wrench



T-B (x1)
Wrench

WASHER SPECIFICATION KEY

M	Compatible Screw Size
OD	Outside Diameter

NOTE: SOME HARDWARE INCLUDED MAY NOT BE USED



CAUTION!

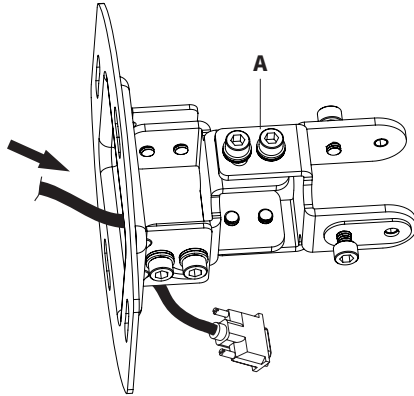
DO NOT INSTALL INTO DRYWALL ALONE. VERIFY YOUR CEILING CONSTRUCTION. USE WOOD STUDS TO MOUNT. We include mounting for brick and concrete. If unsure, please contact us at vivo-us.com, email at help@vivo-us.com, or call us at 309-278-5303.

ASSEMBLY STEPS

STEP 1:

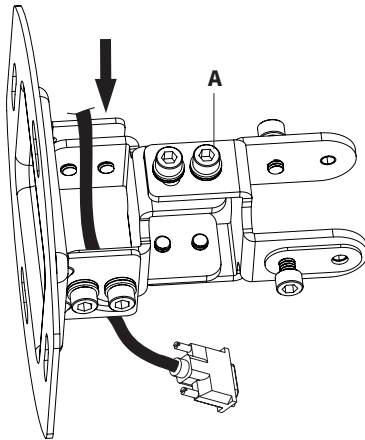
OPTION A: Above Ceiling Cable Management

If cables will be hidden above the ceiling, route cables through large opening in Ceiling Mount (A).



OPTION B: Below Ceiling Cable Management

If cables are located below ceiling, route cables through the side of Ceiling Mount (A).

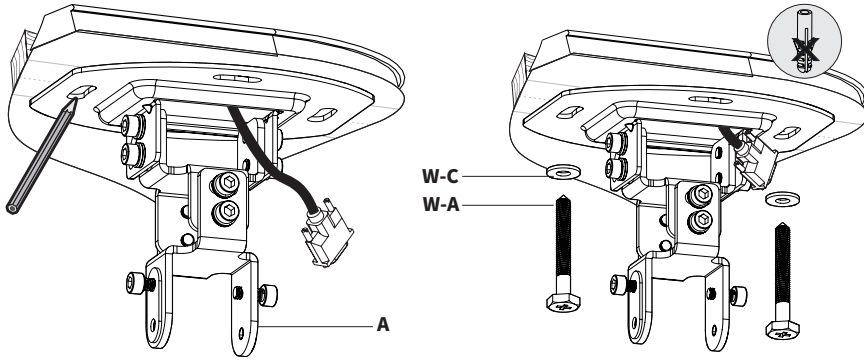


Ceiling Mount

STEP 2: Installing the Ceiling Mount

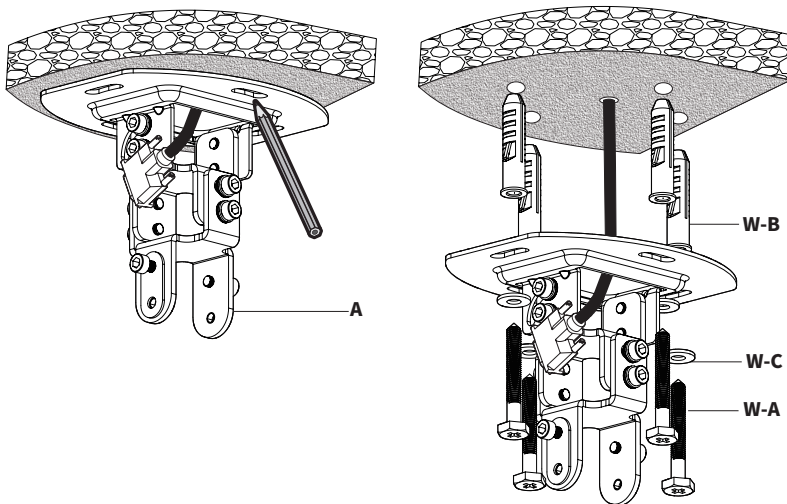
OPTION A: Wood Ceiling Joist Installation

Align holes in Ceiling Mount (A) with wood ceiling joist and mark drilling locations. Use of a stud finder is recommended for finished ceilings. Drill 55mm (2.2") deep holes using 4.5mm or 3/16" drill bit. Secure Ceiling Mount (A) to stud using ST6x56mm Screws (W-A) with M6 OD-16 Washers (W-C). Do not use Concrete Anchors (W-B).



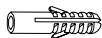
OPTION B: Concrete Ceiling Installation

Mark drilling locations in ceiling. Drill 60mm (2.4") deep holes using 10mm or 3/8" drill bit. Press Concrete Anchors (W-B) into drilled holes, and secure Ceiling Mount (A) to ceiling using ST6x56mm Screws (W-A) and M6 OD-16 Washers (W-C).



W-A

ST6x56mm Screw



W-B

Concrete Anchor

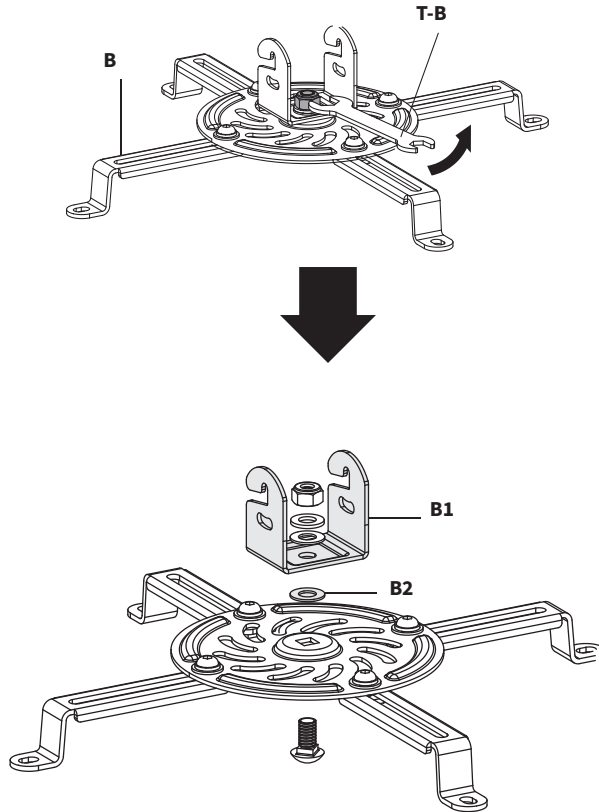


W-C

M6 OD-16 Washer

STEP 3a: Disassemble Mounting Bracket

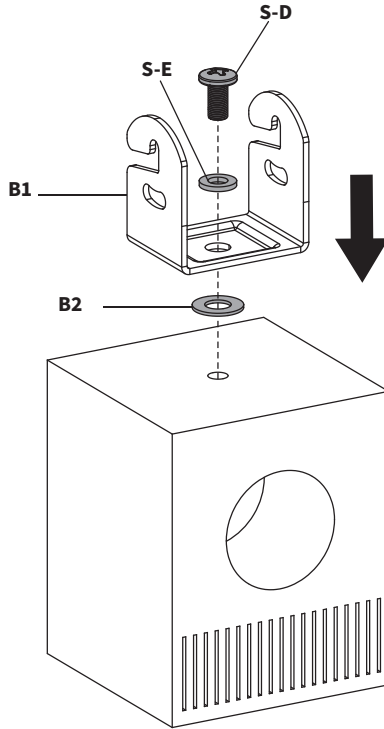
Use Wrench (**T-B**) to loosen nut on Mounting Bracket (**B**). Separate Mounting Bracket (**B**), setting aside Mounting Hook (**B1**) and Small Washer (**B2**) for use in next step.



T-B
Wrench

STEP 3b: Securing the Projector

Connect Mounting Hook (**B1**) to mini projector using 1/4-20 x 3/8" Screw (**S-D**), M6.5 Washer (**S-E**), Small Washer (**B2**) from previous step, and a Phillips screwdriver.



S-D
1/4-20 x 3/8"
Screw



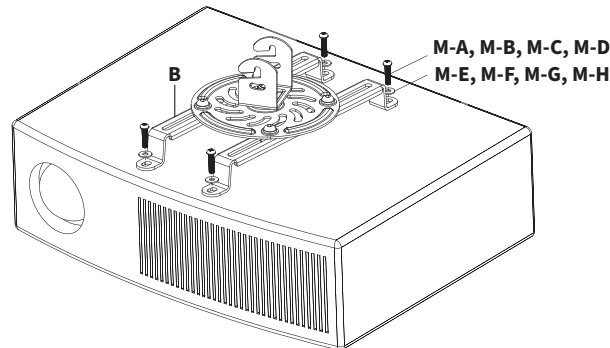
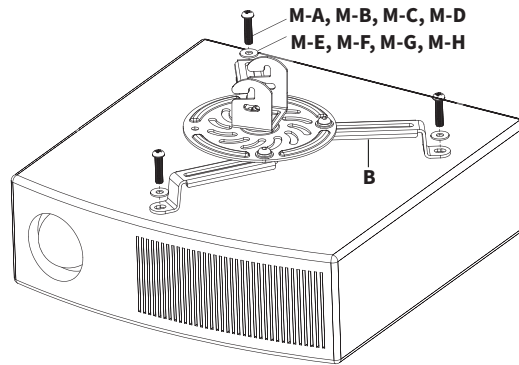
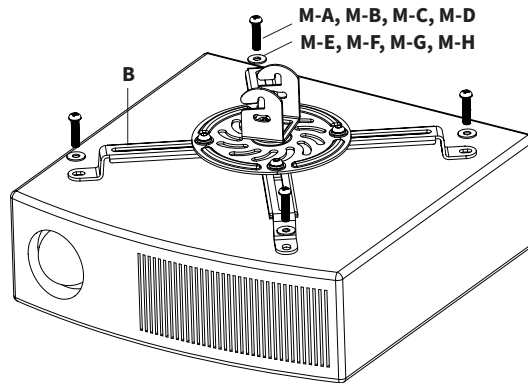
S-E
M6.5 Washer

Proceed to Step 4 on Page 10

STANDARD PROJECTORS

STEP 3: Securing the Projector

Align arms on Mounting Bracket (**B**) with mounting holes in projector, and secure to projector using Screws (**M-A through M-D**) and Washers (**M-E through M-H**) most appropriate for your projector. If your projector has 3 mounting holes, simply remove one of the arms.



B
Mounting
Bracket



M-A
M3x8mm
Screw



M-B
M4x10mm
Screw



M-C
M5x10mm
Screw



M-D
M6x10mm
Screw



M-E
M3 OD-10
Washer



M-F
M4 OD-10
Washer

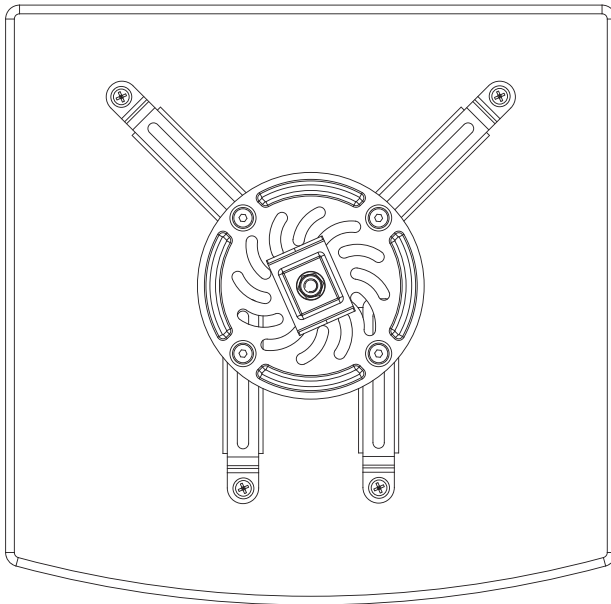
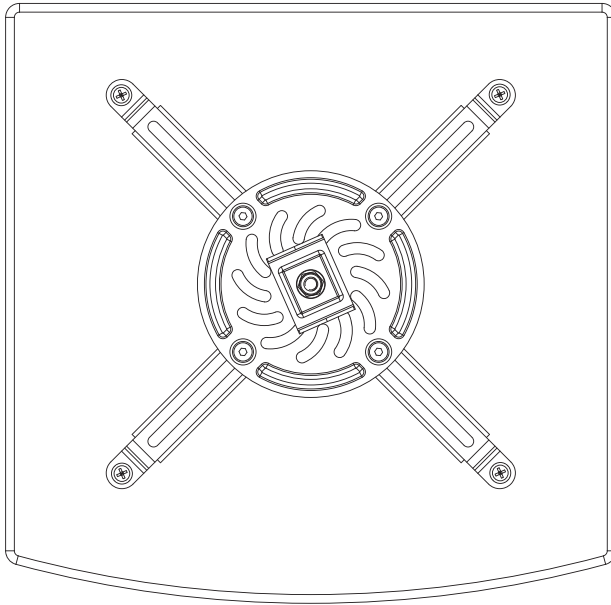


M-G
M5 OD-12
Washer



M-H
M6 OD-12
Washer

STEP 3 Cont.



B
Mounting
Bracket



M-A
M3x8mm
Screw



M-B
M4x10mm
Screw



M-C
M5x10mm
Screw



M-D
M6x10mm
Screw



M-E
M3 OD-10
Washer



M-F
M4 OD-10
Washer



M-G
M5 OD-12
Washer

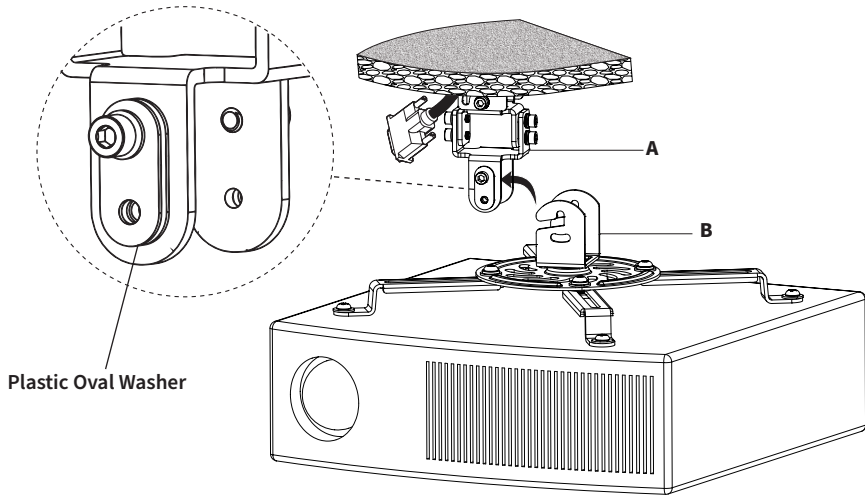


M-H
M6 OD-12
Washer

-- RESUME NORMAL ASSEMBLY --

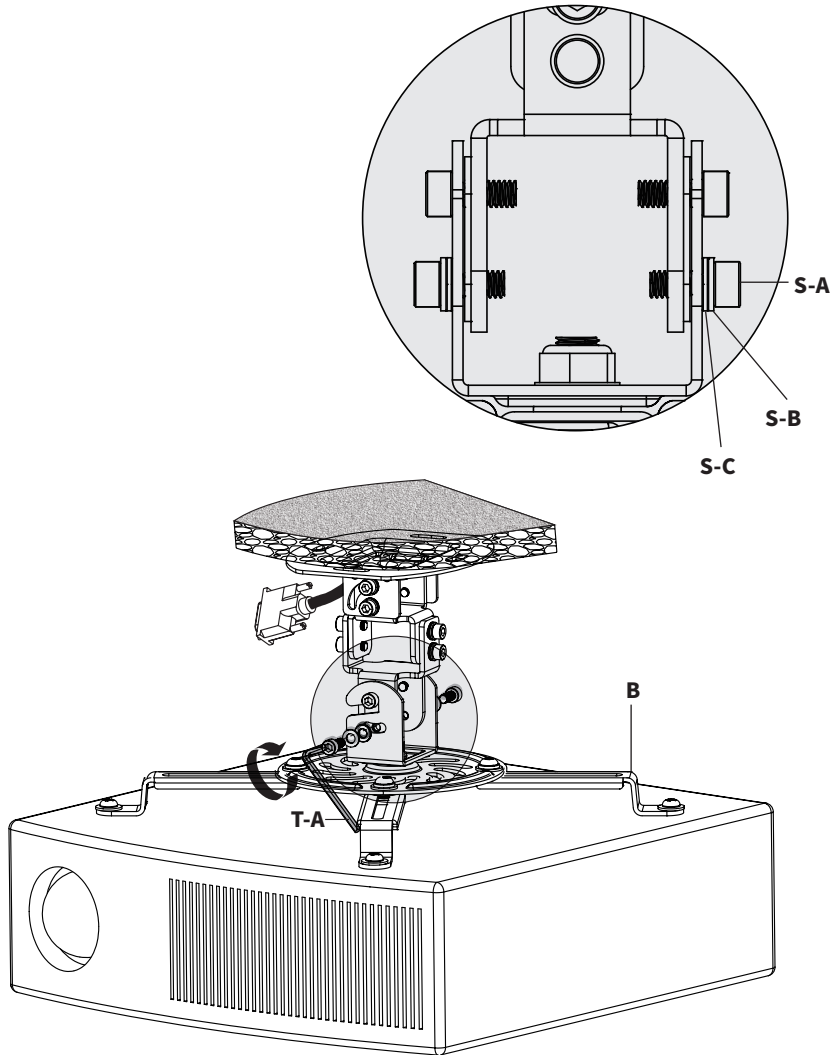
STEP 4: Assembling the Mount

Hang Mounting Bracket (**B**) with projector over pre-installed screws on Ceiling Mount (**A**), making sure plastic oval washers are between the plate and mount.



STEP 5: Securing the Mount

Secure Mounting Bracket **(B)** using M5x12mm Screws **(S-A)**, M5 OD-10 Washers **(S-B)** and M5 OD-10 Plastic Washers **(S-C)**. Tighten with 4mm Allen Wrench **(T-A)**.



S-A
M5x12mm Screw



S-B
M5 OD-10 Washer



S-C
M5 OD-10 Plastic Washer



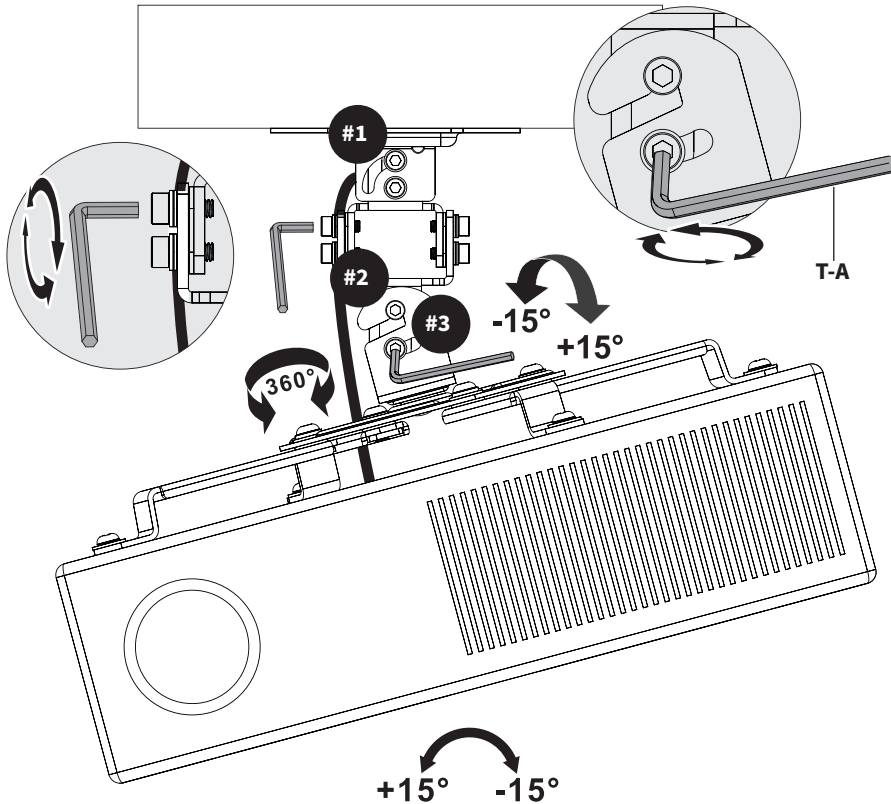
T-A
4mm Allen Wrench

STEP 6: Positioning the Mount

Adjust angle and rotation of projector using 4mm Allen Wrench (**T-A**). Refer to list below when adjusting the tilt.

Adjustment #1: Use for pitched ceiling applications ONLY.

Adjustment #2 & #3: Adjust tilt angle using one or both of these adjustments.



T-A
4mm Allen Wrench

CHECK OUT OTHER GREAT PRODUCTS FROM



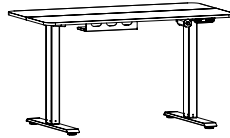
EXPLORE MORE AT VIVO-US.COM

We offer a wide array of home & office products to fit your needs. From height adjustable desks to monitor mounts to keyboard trays and more!



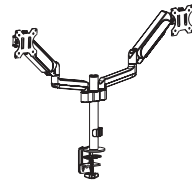
SPEAKER MOUNTS & STANDS

Whether you're mounting a soundbar or surround sound system, we've got a mounting solution to fit your needs



HEIGHT ADJUSTABLE DESKS

We offer electric & manual crank standing desks, corner frames, desk & top combos, and more!



MONITOR MOUNTS

From single monitor mounts to hex mount, grommet or clamp-ons, we've got a mounting solution for your setup.



WHO WE ARE



VIVO is more than a brand of ergonomic office furniture. We are a team of creative and innovative individuals working together to offer high quality, affordable ergonomic solutions. We think and work outside of the box to serve you, our customer, to the best of our ability.



Need Assistance?

We Would Love to Help!



Personable Customer Support | **Mon-Fri 7am-7pm**

We offer immediate assistance with rapid response times from customer service agents and product technicians to help you every step of the way!



Call Us: **309-278-5303**

Average Resolution Time: **5m 4s**



Chat Us: **www.vivo-us.com**

Average Resolution Time: **< 15m**



Email Us: **help@vivo-us.com**

Average Resolution Time: **1HR 8M**

23% within < 15m

38% within < 30m

61% within < 1hr

83% within < 2hr

92% within < 3hr



LOVE YOUR NEW VIVO SETUP?

Ready to share that new amazing setup? Want to brag about that amazing new ergonomic solution?

Tag us in your photo!



VIVO-us @vivo_us

FOR MORE GREAT VIVO PRODUCTS,
CHECK OUT OUR WEBSITE AT: WWW.VIVO-US.COM