

# Large TV Ceiling Mount with 5ft Pole

SKU: MOUNT-VC90-5

Instruction Manual

---

Assembly Video & Product Info  
[www.vivo-us.com/products/mount-vc90-5](http://www.vivo-us.com/products/mount-vc90-5)



# ! CAUTION! !

If you do not understand these directions, or if you have any doubts about the safety of the installation, please contact our product support team at 309-278-5303 or [help@vivo-us.com](mailto:help@vivo-us.com) for further assistance. Check carefully to make sure there are no missing or defective parts. Improper installation may cause damage or serious injury. Do not use this product for any purpose that is not explicitly specified in this manual. Do not exceed weight capacity. We cannot be liable for damage or injury caused by improper mounting, incorrect assembly or inappropriate use.



## WARNING: CHOKING HAZARD

SMALL PARTS - NOT FOR CHILDREN UNDER 3 YEARS. ADULT SUPERVISION IS REQUIRED.



## DO NOT EXCEED WEIGHT CAPACITY

FAILURE TO DO SO MAY RESULT IN SERIOUS INJURY.



## WARNING: DO NOT INSTALL INTO DRYWALL ALONE

VERIFY YOUR WALL CONSTRUCTION. USE WOOD STUDS TO MOUNT. We include mounting for brick and concrete walls. If unsure, please contact us at [vivo-us.com](http://vivo-us.com), email at [help@vivo-us.com](mailto:help@vivo-us.com), or call us at 309-278-5303.

---

## We're Here for You

Open **Monday - Friday 7:00am - 7:00pm CST**,

our dedicated support team can offer immediate assistance with rapid response times. If any parts are received damaged or defective, please contact us. We are happy to replace parts to ensure you have a fully functioning product.



Give us a Call:  
**309-278-5303**

AVG. RESOLUTION TIME (*within office hrs*): **5M 4S**



Chat Us:  
**[www.vivo-us.com](http://www.vivo-us.com)**

AVG. RESOLUTION TIME (*within office hrs*): **< 15 M**



Email Us:  
**[help@vivo-us.com](mailto:help@vivo-us.com)**

AVG. RESPONSE TIME (*within office hrs*): **1HR 8M**

- 23% within < 15m
- 38% within < 30m
- 61% within < 1hr
- 83% within < 2hr
- 92% within < 3hr

## Package Contents



**A (x1)**  
Mounting Pole



**B (x1)**  
Lower Pole



**C (x2)**  
VESA Brackets



**D (x1)**  
VESA Support



**E (x1)**  
Mounting  
Adapter



**F (x1)**  
Template

## Included Hardware & Tools



**S-A (x2)**  
M8x55mm  
Screw



**S-B (x2)**  
M8 Nut



**M-A (x4)**  
M6x14mm  
Screw



**M-B (x4)**  
M8x16mm  
Screw



**M-C (x4)**  
M6x30mm  
Screw



**M-D (x4)**  
M8x35mm  
Screw



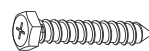
**M-E (x4)**  
M8 Washer



**M-F (x4)**  
Small Spacer



**M-G (x4)**  
Large Spacer



**W-A (x4)**  
ST6.3x55mm  
Screw



**W-B (x4)**  
Concrete Anchor



**W-C (x4)**  
M6 Washer

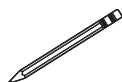


**T-A (x1)**  
Wrench



**T-B (x1)**  
5mm Allen Wrench

## Tools Needed:



**Pencil**



**Stud  
Finder**



**Phillips  
Screwdriver**



**Power  
Drill**



**Torque  
Wrench**

## Weight Capacity:



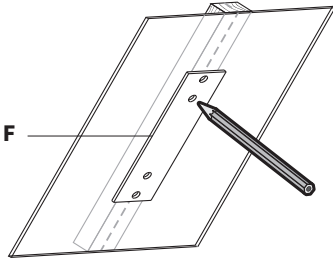
**110lbs  
(50kg)**

# ASSEMBLY STEPS

## STEP 1a

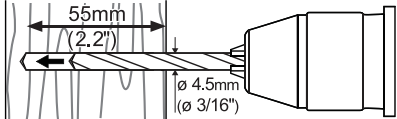
### Option A | Wood Joist Installation

Use a stud finder to locate your desired mount position, then hold Mounting Template (F) against ceiling and mark the hole positions using a pencil.

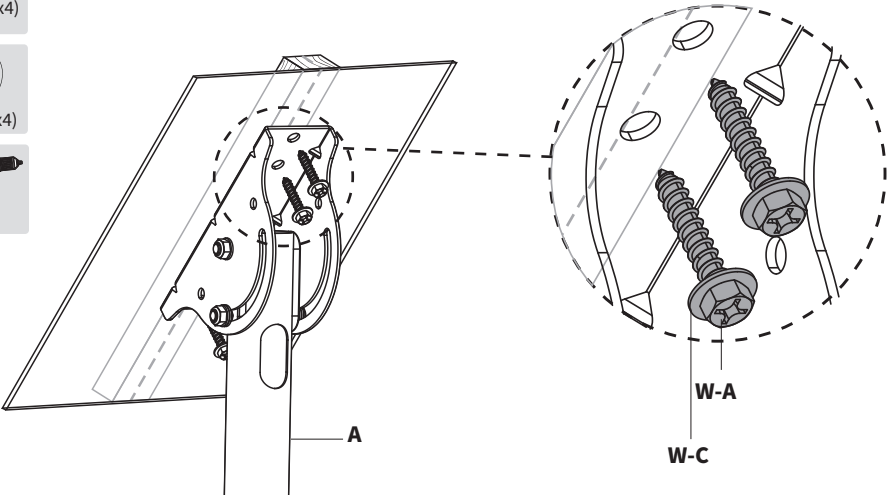


**Note:** When mounting to a flat ceiling, it is recommended the mounting plate is parallel with tv orientation if possible.

Drill 2.2" (55mm) deep holes using a 3/16" (4.5mm) drill bit.

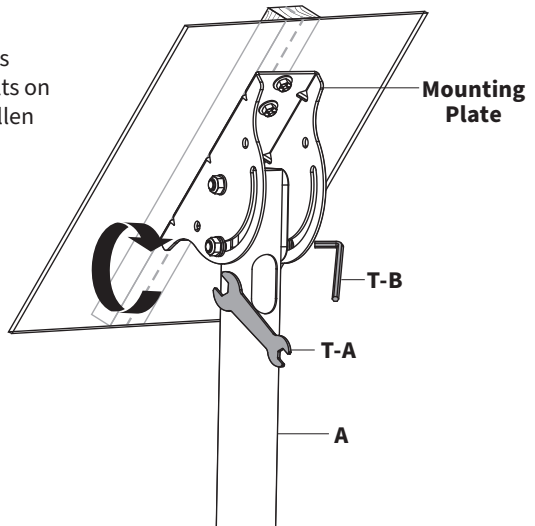


Attach the Mounting Pole (A) to the ceiling using ST6.3x55mm Screws (W-A) and M6 Washers (W-C). Tighten using a drill with either a Phillips end bit or a 10mm Socket.



## [STEP 1a - Cont'd ]

Adjust the angle of Pole (A) so that it is vertical, then tighten the nuts and bolts on the **Mounting Plate** using the 5mm Allen Wrench (T-B) and Wrench (T-A).

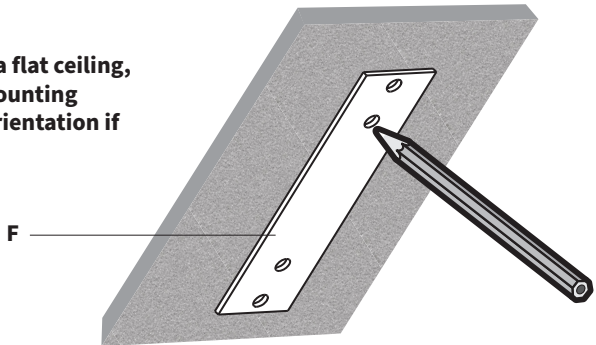


## STEP 1b

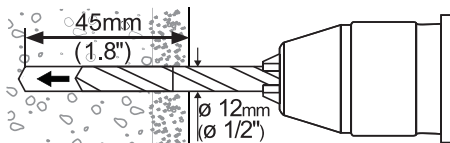
### Option B | Concrete Installation

Hold Mounting Template (F) up to your desired mounting location and mark hole positions using a marker.

**Note: When mounting to a flat ceiling, it is recommended the mounting plate is parallel with tv orientation if possible.**

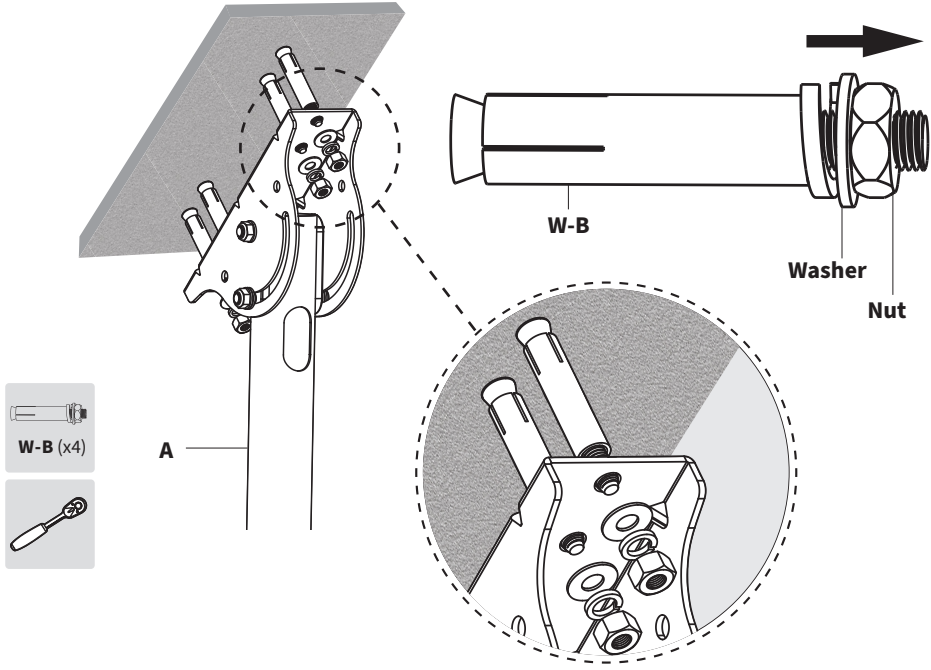


Drill 1.8" (45mm) deep holes using a 1/2" (12mm) drill bit.

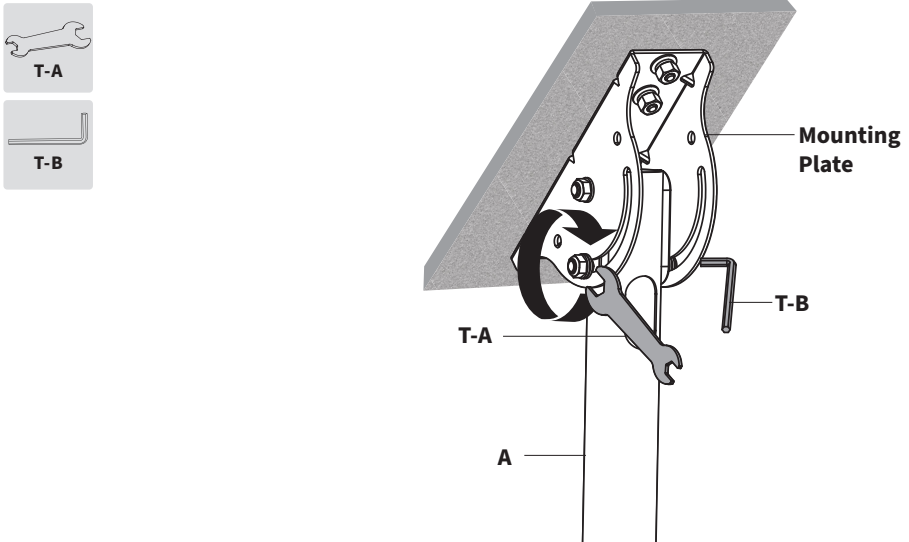


[STEP 1b - Cont'd ]

Remove the Washers and Nust from Concrete Anchors (**W-B**). Insert Concrete Anchors into the pre-drilled holes. Then secure Mounting Pole (**A**) to the ceiling using the previously removed Washers and Nuts. Tighten the nuts on Concrete Anchors (**W-B**) using a torque wrench with a 14mm socket set to 40ft-lbs (54 N-m).

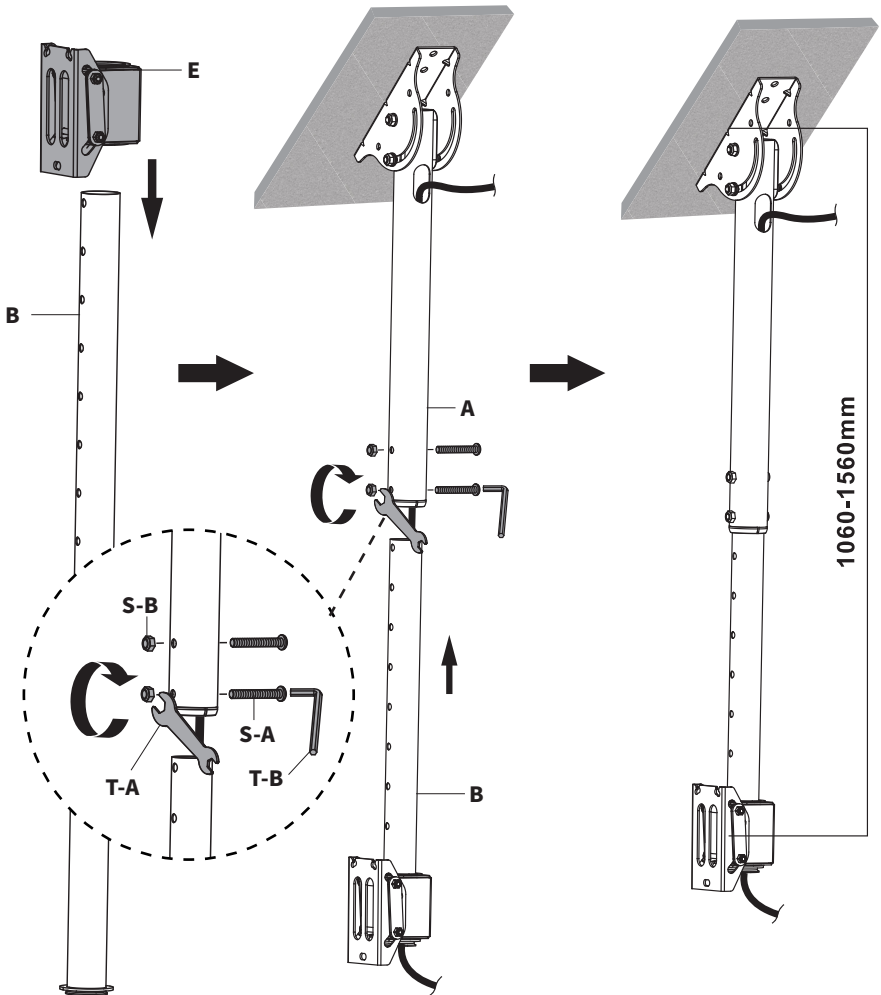
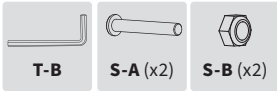


Adjust the angle of Pole (**A**) so that it is vertical, then tighten the nuts and bolts on the **Mounting Plate** using the 5mm Allen Wrench (**T-A**) and Wrench (**T-B**).



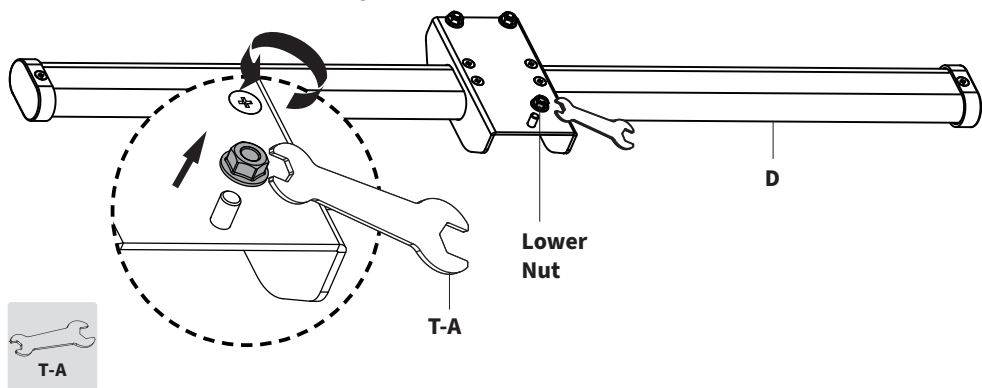
## STEP 2

Slide Mounting Adapter (**E**) onto Lower Pole (**B**) and rest at the bottom of the Pole. Route cables through both Poles (**A,B**), then slide Lower Pole into Mounting Pole at your desired height. Secure using M8x55mm Screws (**S-A**), M8 Nuts (**S-B**), and 5mm Allen Wrench (**T-B**).

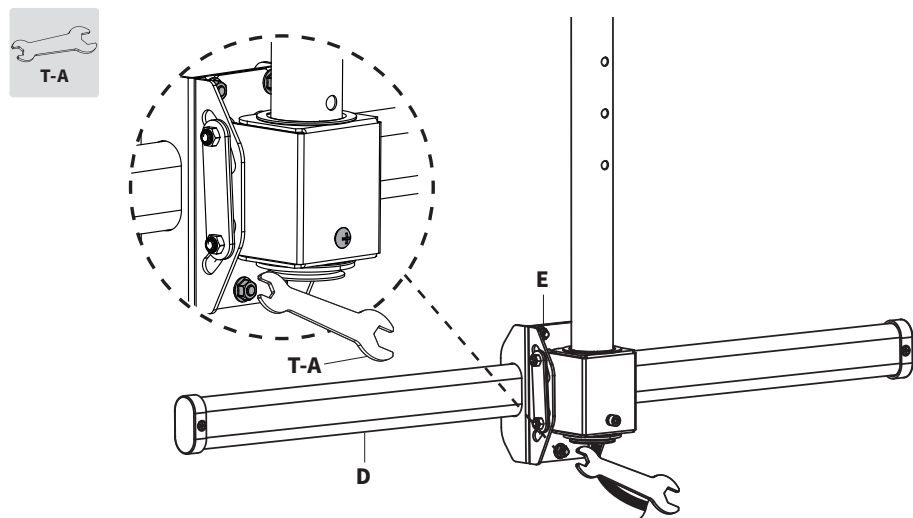


### STEP 3

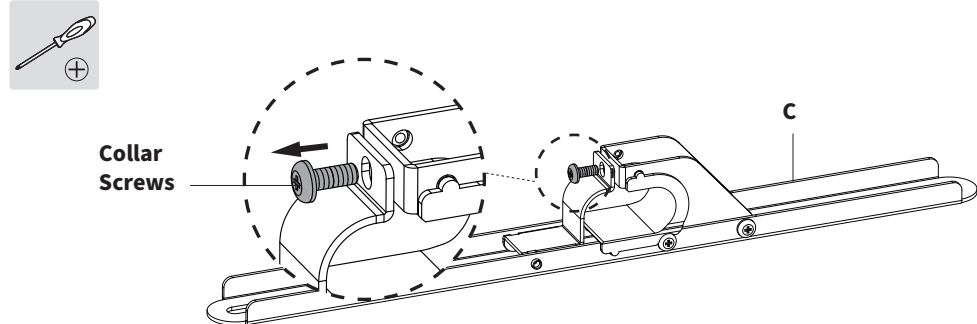
Use Wrench (T-A) to remove the single Lower Nut from VESA Support (D)



Slide VESA Support (D) onto the front of Mounting Adapter (E) and reinstall the previously removed Lower Nut using Wrench (T-A).



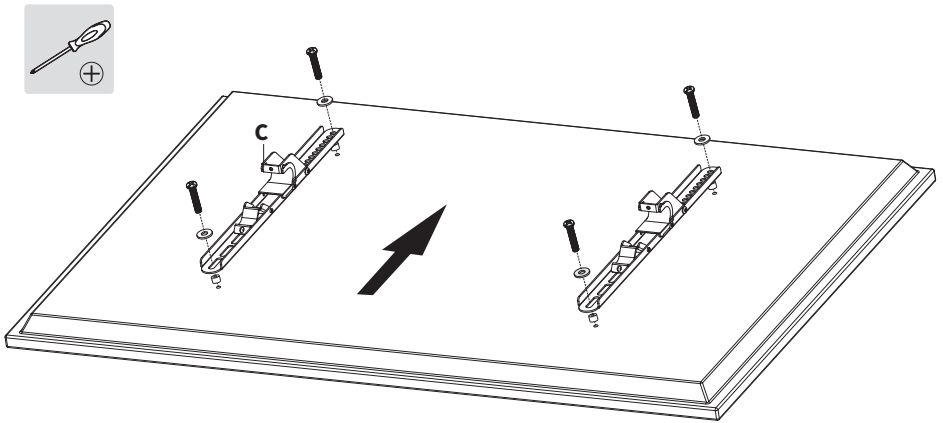
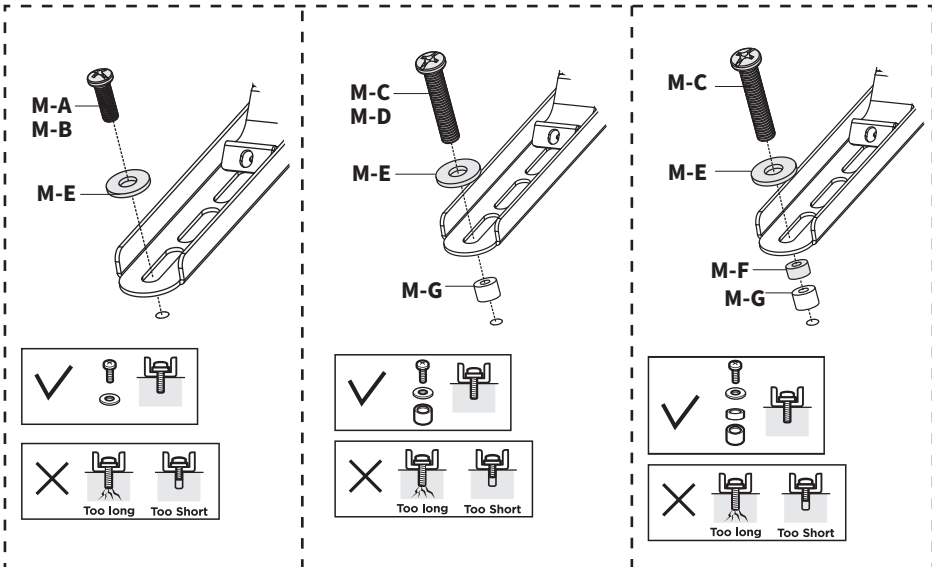
Remove the Collar Screws on VESA Brackets (C) using a Phillips screwdriver and set aside.





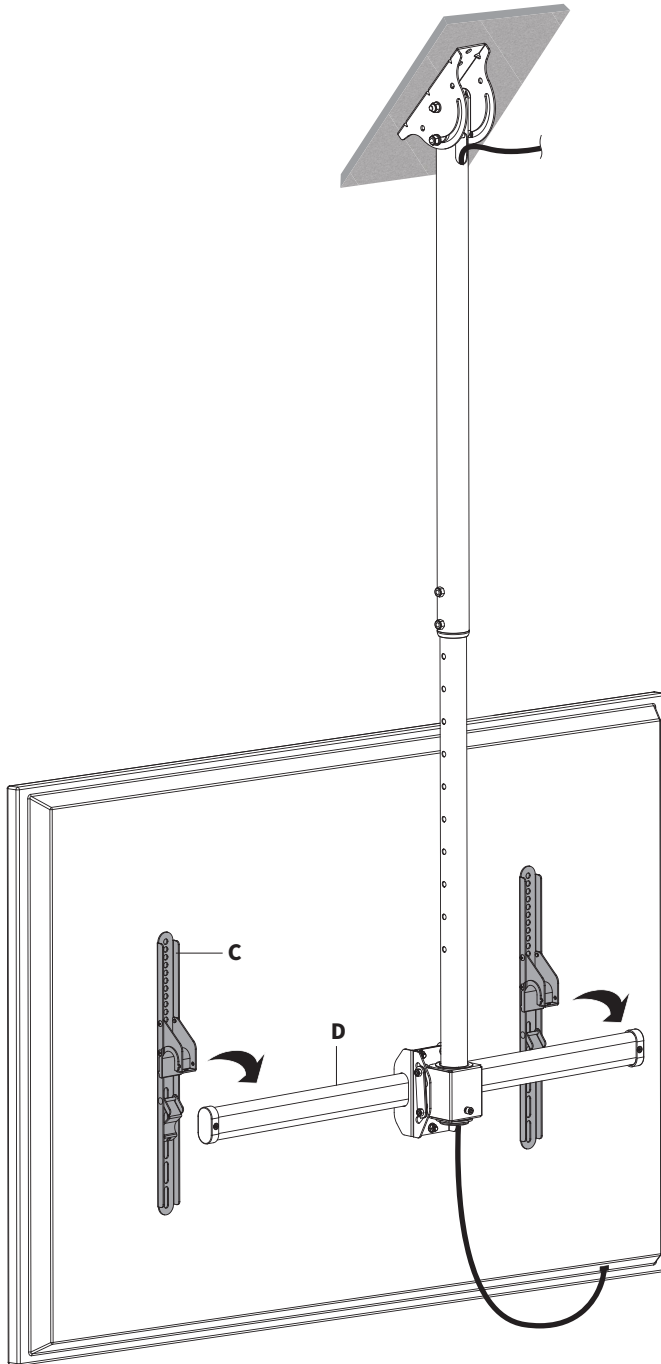
## STEP 4

Install the VESA Brackets (**C**) onto the back of your screen using appropriate combination of Screws (**M-A through M-D**), M8 Washers (**M-E**), and Spacers (**M-F, M-G**) for your VESA pattern. Tighten screws using a Phillips screwdriver. Example combinations are shown below.



## STEP 5

Hang your TV with VESA Brackets (C) onto the VESA Support Bar (D).



## STEP 6

Secure VESA Brackets (C) in place using the previously removed Collar Screws and a Phillips screwdriver.

Make tilt and angle adjustment as desired, then tighten the nuts on the side of Mounting Adapter (E). Lock the rotation in place by tightening the preinstalled screw on the back of Mounting Adapter using a 5mm Allen Wrench (T-B).



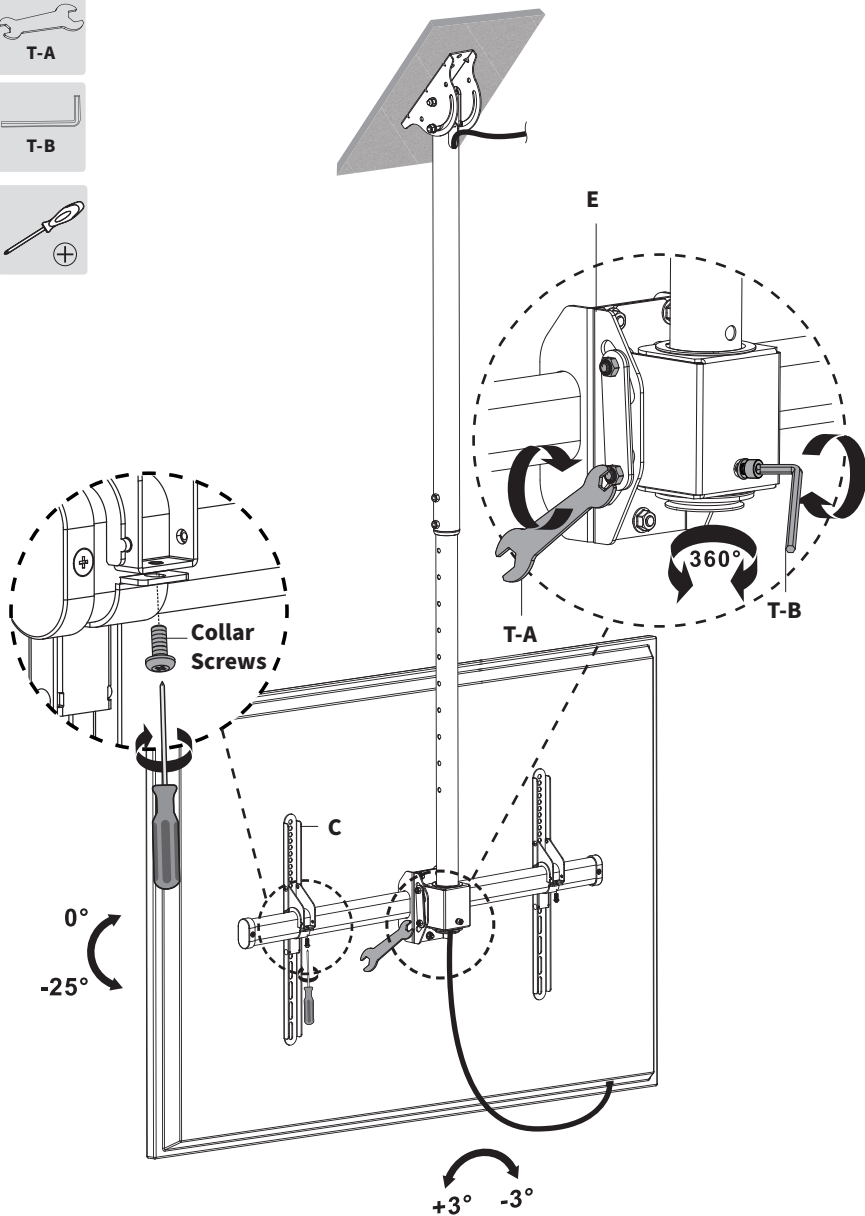
T-A



T-B



+





## Need Help? Get In Touch

Monday-Friday from 7:00am-7:00pm CST



[help@vivo-us.com](mailto:help@vivo-us.com)



[www.vivo-us.com](http://www.vivo-us.com)

*Chat live with an agent!*



309-278-5303



VIVO-us



@vivo\_us