



---

## TV Ceiling Mount

### Instruction Manual



**SKU: MOUNT-VC55A**



Scan the QR code with your mobile device or follow the link for helpful videos and specifications related to this product.

<https://vivo-us.com/products/mount-vc55a>

---

GET IN TOUCH | Monday-Friday from 7:00am-7:00pm CST



help@vivo-us.com



www.vivo-us.com  
*Chat live with an agent!*



309-278-5303

## **WARNING!**

If you do not understand these directions, or if you have any doubts about the safety of the installation, please call a qualified technician. Check carefully to make sure there are no missing or defective parts. Improper installation may cause damage or serious injury. Do not use this product for any purpose that is not explicitly specified in this manual. Do not exceed weight capacity. We cannot be liable for damage or injury caused by improper mounting, incorrect assembly or inappropriate use.

## **WARNING: CHOKING HAZARD**

SMALL PARTS - NOT FOR CHILDREN UNDER 3 YEARS. ADULT SUPERVISION IS REQUIRED.

## PACKAGE CONTENTS



**A** (x1)  
Post



**B** (x1)  
Ceiling Plate



**C** (x1)  
Cover



**D** (x4)  
VESA Arm



**E** (x8)  
M5 Nut



**F** (x8)  
M5x12



**G** (x4)  
Washer



**H** (x4)  
M4x12



**I** (x4)  
M4x30



**J** (x4)  
M6x12



**K** (x4)  
M6x30



**L** (x4)  
M8x16



**M** (x4)  
Spacer



**N** (x4)  
M8x60



**O** (x4)  
Anchor



**P** (x1)  
5mm Allen  
Wrench

**NOTE:** NOT ALL HARDWARE INCLUDED WILL BE USED

## **CAUTION!**

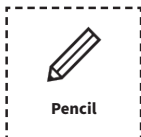
DO NOT INSTALL INTO DRYWALL ALONE. VERIFY YOUR WALL CONSTRUCTION. USE WOOD STUDS TO MOUNT. We include mounting for brick and concrete walls. If unsure, please contact us at vivo-us.com, email at [help@vivo-us.com](mailto:help@vivo-us.com), or call us at 309-278-5303.

DO NOT EXCEED WEIGHT CAPACITY.

Failure to do so may result in serious injury.



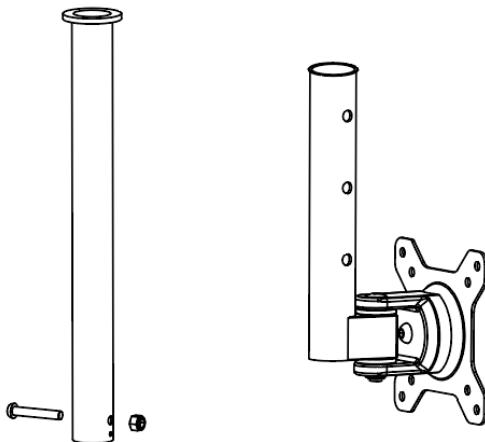
## TOOLS NEEDED



## ASSEMBLY STEPS

### STEP 1

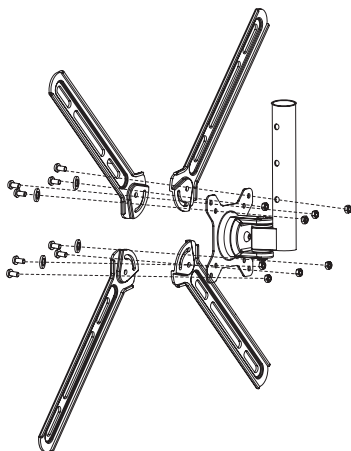
Remove the bolt and nut from the post (A) with a Phillips screwdriver, then separate the post into two parts.



### STEP 2

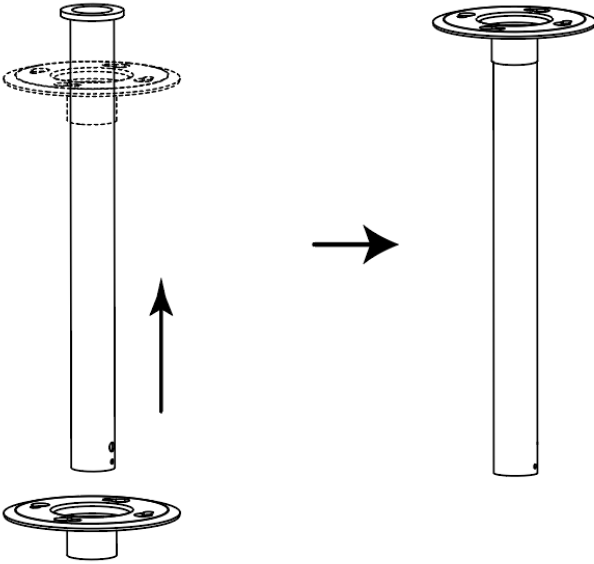
Assemble the VESA arms (D) to the VESA plate on the post (A) using M5x12 bolts (F), washers (G) and M5 nuts (E).

**NOTE:** Skip this step if TV uses a VESA 75x75mm or 100x100mm mounting hole pattern.



### STEP 3

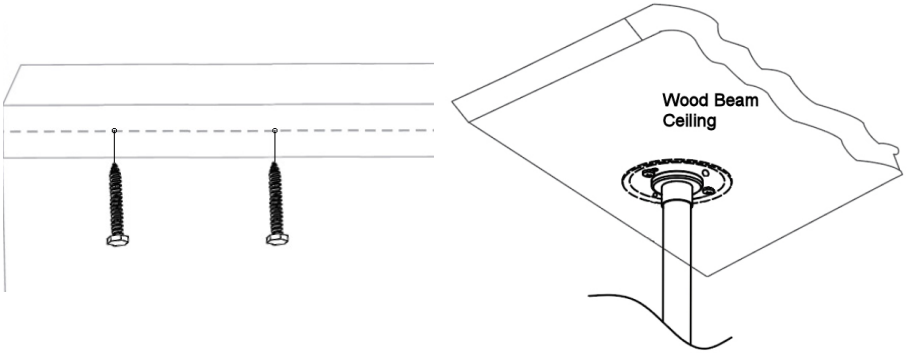
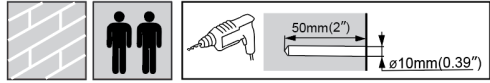
Slip the top half of the post (**A**) down through the ceiling plate (**B**).



## STEP 4

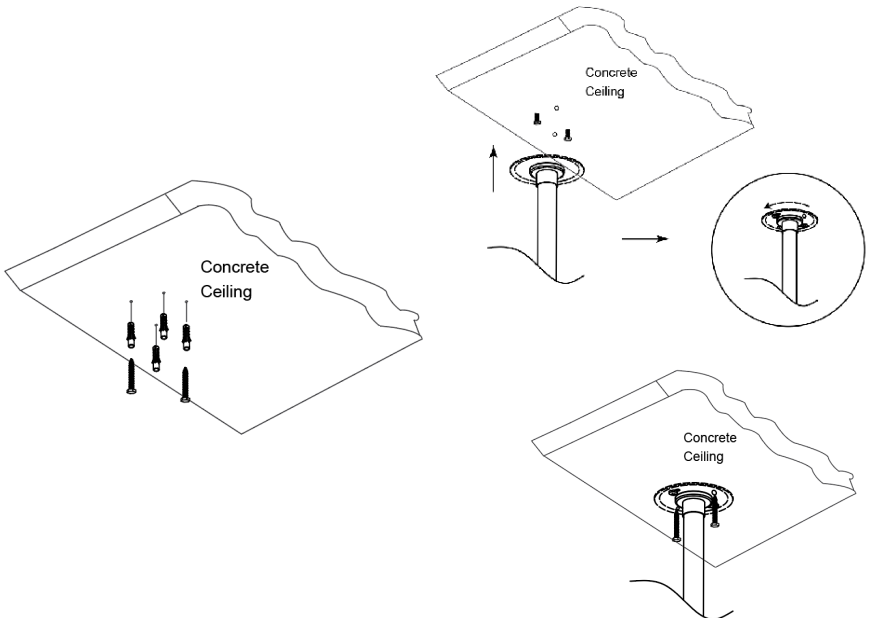
### OPTION A: Wood Beam Ceiling

Locate beam using a stud finder, then using a 1/8" drill bit, drill two 2.3" deep holes exactly 4" apart. Insert M8x60 screws (**N**), leaving 10mm of thread exposed, then hang the ceiling plate (**B**) with post (**A**) on the screws and tighten.



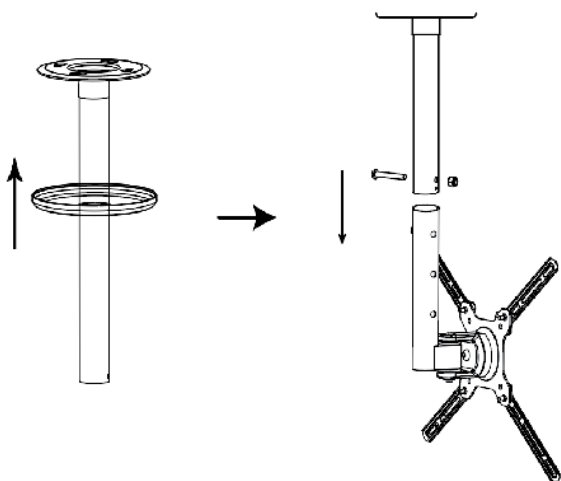
### OPTION B: Concrete Ceiling

Place the ceiling plate (**B**) against the ceiling and mark drilling locations with a pencil. Using a 3/8" drill bit, drill 2.5" deep holes in the ceiling and insert anchors (**O**). Insert x2 M8x60 screws (**N**), leaving 10mm of thread exposed, then hang the ceiling plate (**B**) with post (**A**) on the screws. Insert x2 additional M8x60 screws and tighten.



## STEP 5

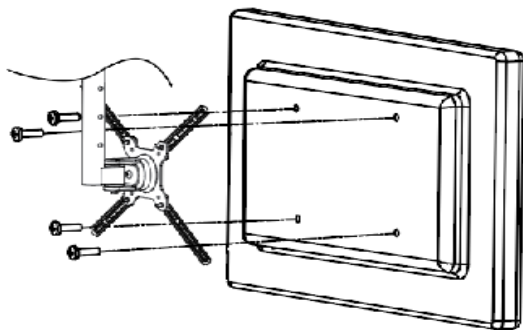
Slide the cover (C) up on the post and snap onto the ceiling plate. Reassemble the post at the desired height using previously removed bolt and nut.



## STEP 6

### OPTION A: Flat Back TV

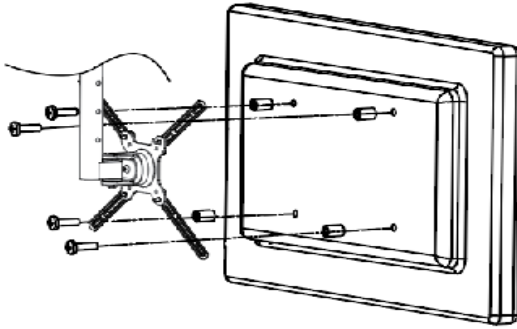
Attach TV to the mount using bolts (H, J, L).



## STEP 6 (Continued)

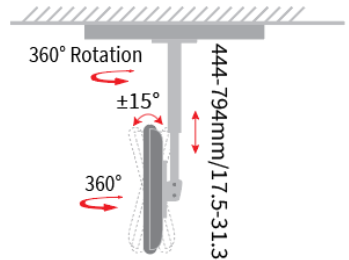
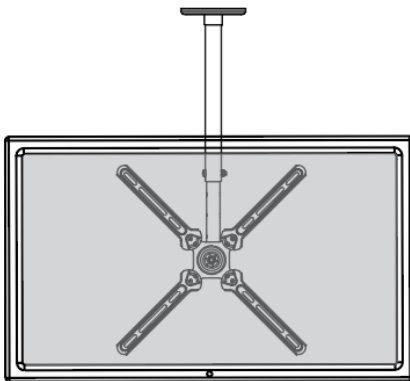
### OPTION B: Curved Back TV

Attach TV to the mount using bolts (**I**, **K**) and spacers (**M**).



## STEP 7

Adjust the TV to the desired position. Use the 5mm Allen wrench (**P**) to adjust the swivel joint behind the VESA plate on the post if needed.





Open **Monday - Friday 7:00am - 7:00pm** CST,  
our dedicated support team can offer immediate assistance with rapid response times. If any parts are received damaged or defective, please contact us. We are happy to replace parts to ensure you have a fully functioning product.


 [help@vivo-us.com](mailto:help@vivo-us.com)

**AVG. RESPONSE TIME** (*within office hrs*): **1HR 8M**

- 23% within < 15m
- 38% within < 30m
- 61% within < 1hr
- 83% within < 2hr
- 92% within < 3hr

 [www.vivo-us.com](https://www.vivo-us.com)  
*Chat live with an agent!*

**AVG. RESOLUTION TIME** (*within office hrs*): **< 15 M**

 309-278-5303

**AVG. RESOLUTION TIME** (*within office hrs*): **5M 4S**