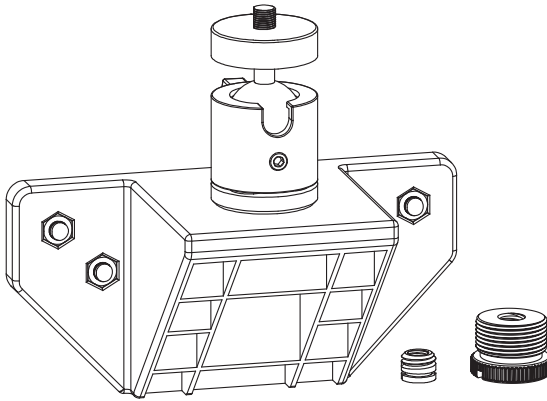




---

## VESA Ball Head Adapter for Monitor Arms

### Instruction Manual



**SKU: MOUNT-VBHA1**



Scan the QR code with your mobile device or follow the link for helpful videos and specifications related to this product.

<https://vivo-us.com/products/mount-vbha1>

---

GET IN TOUCH | Monday-Friday from 7:00am-7:00pm CST



help@vivo-us.com



www.vivo-us.com  
*Chat live with an agent!*



309-278-5303

# WARNING!

If you do not understand these directions, or if you have any doubts about the safety of the installation, please call a qualified technician. Check carefully to make sure there are no missing or defective parts. Improper installation may cause damage or serious injury. Do not use this product for any purpose that is not explicitly specified in this manual and do not exceed weight capacity. We cannot be liable for damage or injury caused by improper mounting, incorrect assembly, or inappropriate use.

## WARNING: CHOKING HAZARD

SMALL PARTS - NOT FOR CHILDREN UNDER 3 YEARS. ADULT SUPERVISION IS REQUIRED.

## PACKAGE CONTENTS



**A** (x1)  
Mounting  
Bracket



**B** (x1)  
Ball Head



**S-A** (x1)  
1/4" Screw



**S-B** (x1)  
3/8" Screw



**S-C** (x1)  
5/8" Screw



**S-D** (x4)  
M4 Nut



**S-E** (x4)  
M4x10mm  
Screw



**S-F** (x4)  
M4 Washer



**T-A** (x1)  
4mm Allen  
Wrench

## TOOLS NEEDED



DO NOT EXCEED WEIGHT CAPACITY.

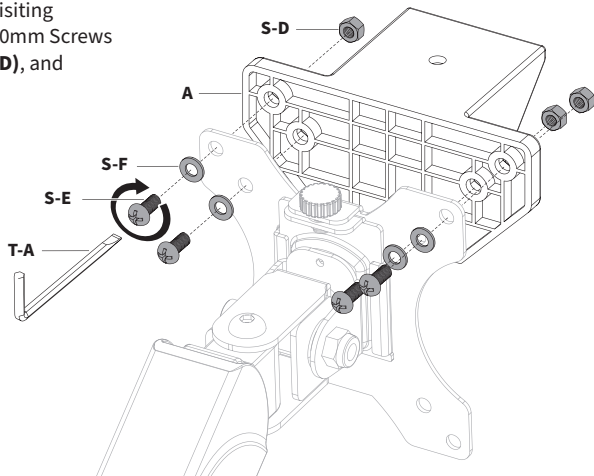
Failure to do so may result in serious injury.

**6.6lbs**  
**(3kg)**

## ASSEMBLY STEPS

### STEP 1

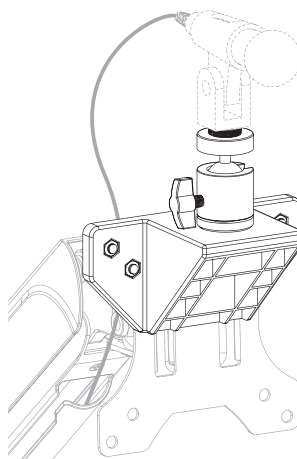
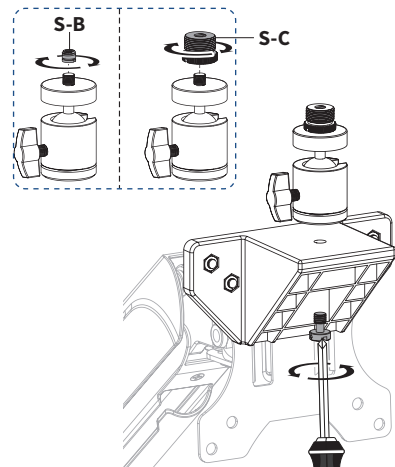
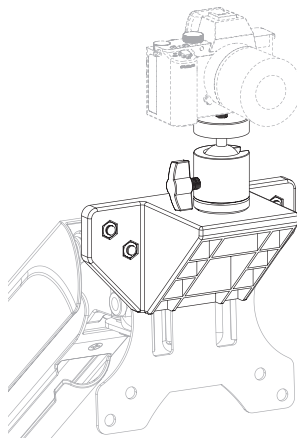
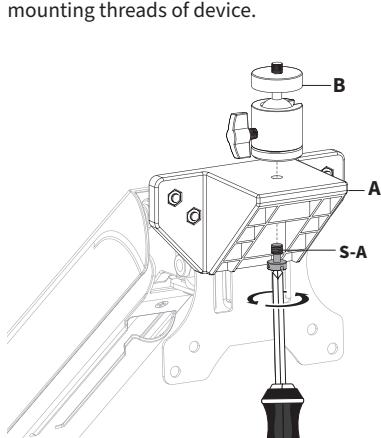
Connect Mounting Bracket (**A**) to existing monitor arm VESA Plate using M4x10mm Screws (**S-E**), M4 Washers (**S-F**), M4 Nut (**S-D**), and 4mm Allen Wrench (**T-A**).



## STEP 2

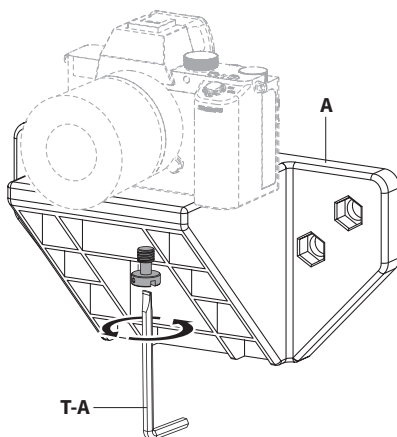
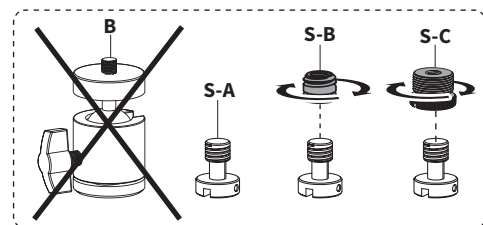
Connect Ball Head (**B**) to Mounting Bracket (**A**) using 1/4" Screw (**S-A**) and a Phillips screwdriver.

*Optional:* 3/8" Screw (**S-B**) and 5/8" Screw (**S-C**) may be installed on Ball Head (**B**) to accommodate mounting threads of device.



## Optional

If Ball Head (**B**) is not required, Mounting Bracket (**A**) can be assembled using 1/4" Screw (**S-A**) alone or combined with 3/8" Screw (**S-B**) or 5/8" Screw (**S-C**) with 4mm Allen Wrench (**T-A**).





Open **Monday - Friday 7:00am - 7:00pm** CST,  
our dedicated support team can offer immediate assistance with rapid response times. If any parts are received damaged or defective, please contact us. We are happy to replace parts to ensure you have a fully functioning product.



309-278-5303

**AVG. RESOLUTION TIME** (*within office hrs*): **5M 4S**

---



[www.vivo-us.com](http://www.vivo-us.com)  
*Chat live with an agent!*

**AVG. RESOLUTION TIME** (*within office hrs*): **< 15 M**

---



[help@vivo-us.com](mailto:help@vivo-us.com)

**AVG. RESPONSE TIME** (*within office hrs*): **1HR 8M**

- 23% within < 15m
- 38% within < 30m
- 61% within < 1hr
- 83% within < 2hr
- 92% within < 3hr