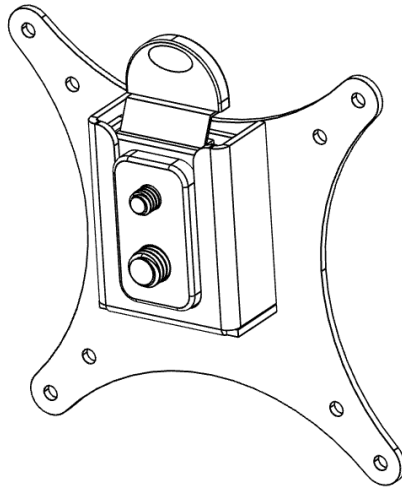


---

## Universal Camera VESA Adapter Kit

### Instruction Manual



**SKU: MOUNT-V00CAM**



Scan the QR code with your mobile device or follow the link for helpful videos and specifications related to this product.

<https://vivo-us.com/products/mount-v00cam>

---

GET IN TOUCH | Monday-Friday from 7:00am-7:00pm CST



help@vivo-us.com



www.vivo-us.com  
*Chat live with an agent!*



309-278-5303

# **WARNING!**

If you do not understand these directions, or if you have any doubts about the safety of the installation, please call a qualified technician. Check carefully to make sure there are no missing or defective parts. Improper installation may cause damage or serious injury. Do not use this product for any purpose that is not explicitly specified in this manual. Do not exceed weight capacity. We cannot be liable for damage or injury caused by improper mounting, incorrect assembly or inappropriate use.

## PACKAGE CONTENTS



**A (x1)**  
VESA Plate



**B (x1)**  
Adapter



**C (x1)**  
1/4" Screw



**D (x1)**  
3/8" Screw



**E (x4)**  
Thumbscrew



**F (x4)**  
Washer

**NOTE:** SOME HARDWARE MAY NOT BE USED

**DO NOT EXCEED WEIGHT CAPACITY.**  
Failure to do so may result in serious injury.



## **WARNING: CHOKING HAZARD**

SMALL PARTS - NOT FOR CHILDREN UNDER 3 YEARS. ADULT SUPERVISION IS REQUIRED.

## TOOLS NEEDED

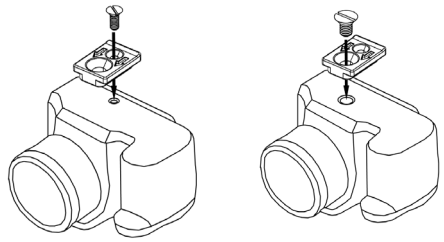


**Phillips  
Screwdriver**

# ASSEMBLY STEPS

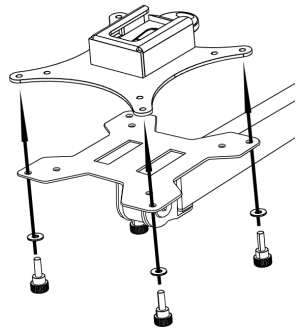
## STEP 1

Attach adapter **(B)** to camera using 1/4" screw **(C)** or 3/8" screw **(D)**, making sure arrows are facing towards the front of the camera.



## STEP 2

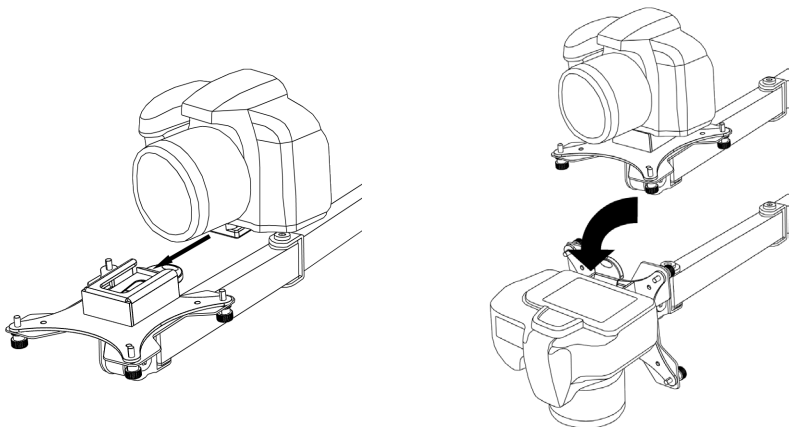
Attach VESA plate **(A)** to a VESA monitor/TV mount using thumbscrews **(E)** with washers **(F)**, making sure the opening is facing up or towards the back.



## STEP 3

Slide the camera with adapter into the VESA plate, making sure the adapter locks into the plate. Adjust the camera as desired.

To remove the camera, hold the spring tab down and slide the camera with adapter out from the VESA plate.





Open **Monday - Friday 7:00am - 7:00pm** CST,  
our dedicated support team can offer immediate assistance with rapid response times. If any parts are received damaged or defective, please contact us. We are happy to replace parts to ensure you have a fully functioning product.


 [help@vivo-us.com](mailto:help@vivo-us.com)

**AVG. RESPONSE TIME** (*within office hrs*): **1HR 8M**

- 23% within < 15m
- 38% within < 30m
- 61% within < 1hr
- 83% within < 2hr
- 92% within < 3hr

 [www.vivo-us.com](http://www.vivo-us.com)  
*Chat live with an agent!*

**AVG. RESOLUTION TIME** (*within office hrs*): **< 15 M**

 309-278-5303

**AVG. RESOLUTION TIME** (*within office hrs*): **5M 4S**