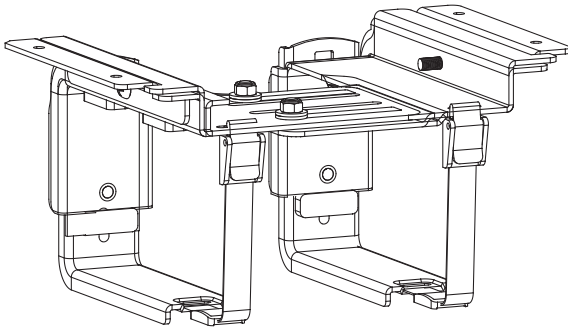




Universal Under Desk and Wall UPS Mount

Instruction Manual



SKU: MOUNT-UPS01



Scan the QR code with your mobile device or follow the link for helpful videos and specifications related to this product.

<https://vivo-us.com/products/mount-ups01>

GET IN TOUCH | Monday-Friday from 7:00am-7:00pm CST



help@vivo-us.com



www.vivo-us.com
Chat live with an agent!



309-278-5303

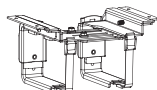
WARNING!

If you do not understand these directions, or if you have any doubts about the safety of the installation, please call a qualified technician. Check carefully to make sure there are no missing or defective parts. Improper installation may cause damage or serious injury. Do not use this product for any purpose that is not explicitly specified in this manual. Do not exceed weight capacity. We cannot be liable for damage or injury caused by improper mounting, incorrect assembly or inappropriate use.

WARNING: CHOKING HAZARD

SMALL PARTS - NOT FOR CHILDREN UNDER 3 YEARS. ADULT SUPERVISION IS REQUIRED.

PACKAGE CONTENTS



A (x1)
Mount



E (x4)
Concrete
Anchor



B (x4)
ST4.2x35mm
Screw



F (x4)
Washer



C (x4)
ST4.8x19mm
Screw



G (x1)
Wrench



D (x4)
Drywall
Anchor

TOOLS NEEDED



Level



Phillips
Screwdriver



Drill

NOTE: SOME HARDWARE MAY NOT BE USED

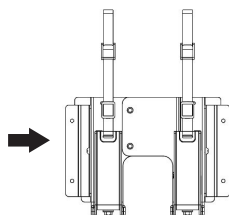
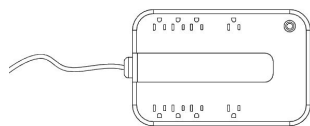
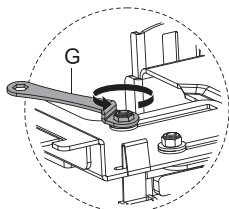
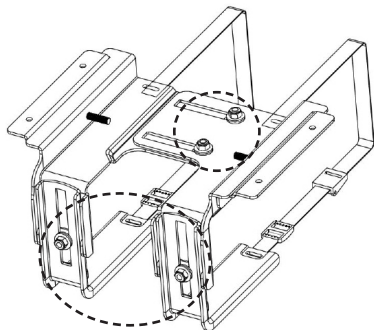
DO NOT EXCEED WEIGHT CAPACITY.
Failure to do so may result in serious injury.

**33lbs
(15kg)**

ASSEMBLY STEPS

STEP 1

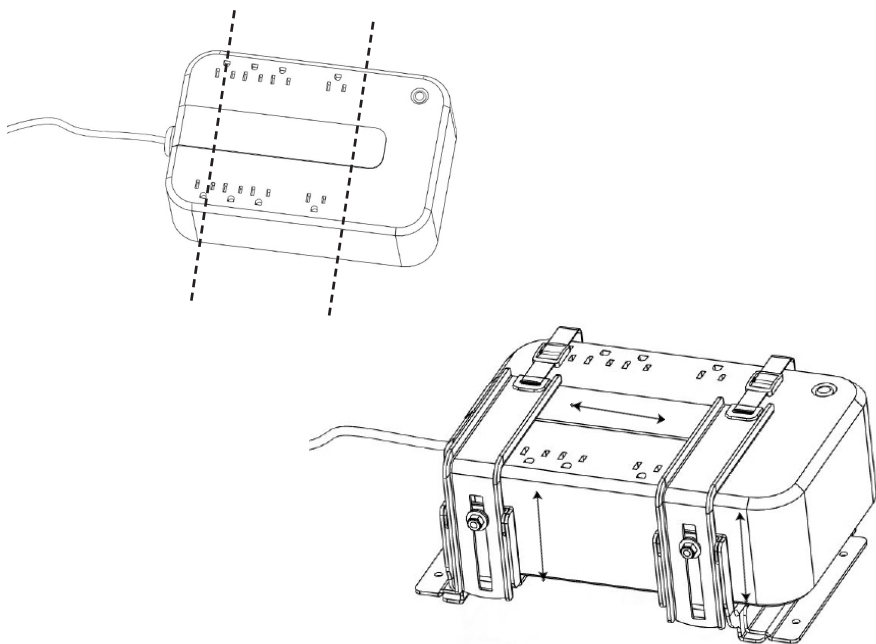
Loosen the four nuts on the mount (**A**) using the wrench (**G**). Adjust the mount and slide in the UPS.



STEP 2

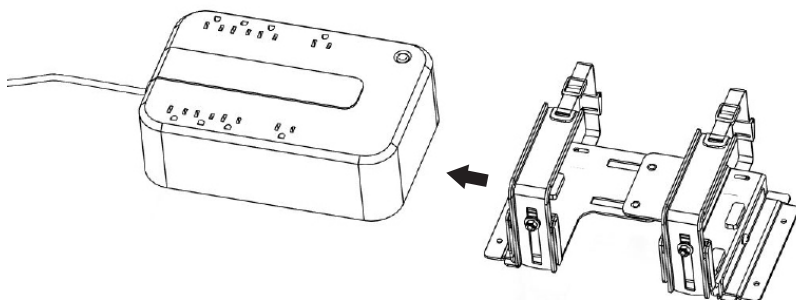
Adjust the mount horizontally to where the brackets won't interfere with any buttons or cords. Adjust the mount vertically so the UPS is snug but still able to be removed. This will be re-tightened in a later step.

NOTE: Due to the variability of UPS's, some outlet ports may be blocked by the brackets. Adjust horizontally as needed to allow for the most ports to be available.



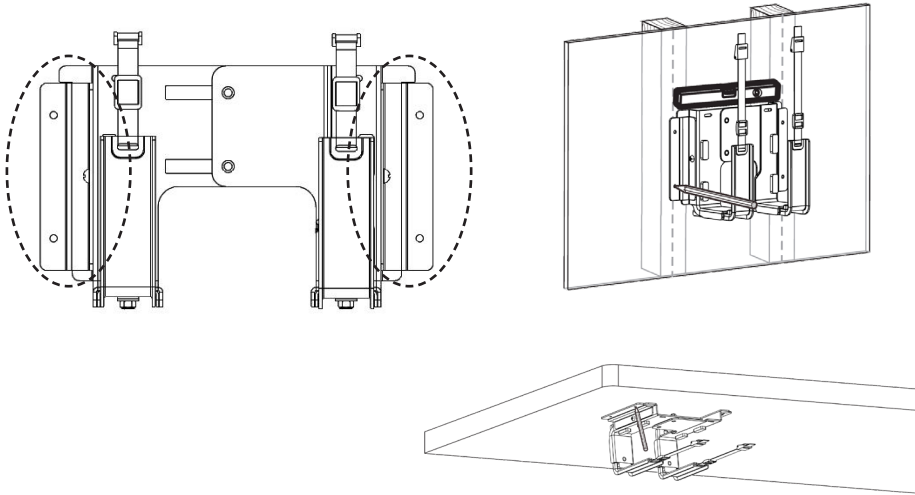
STEP 3

Tighten the four nuts on the mount to lock its current position. Then remove the UPS from the mount



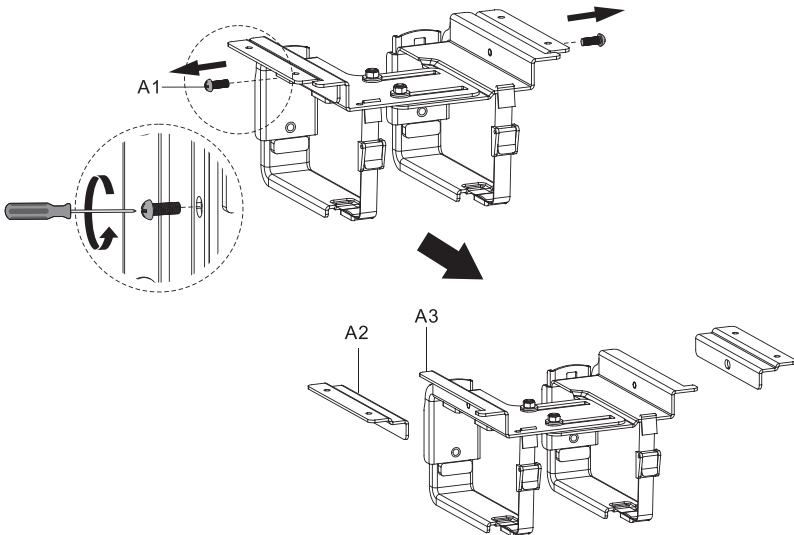
STEP 4

Place the mount **(A)** against the mounting location and mark drilling locations with a pencil. If mounting to a wood stud wall, use of a stud finder is recommended.



STEP 5

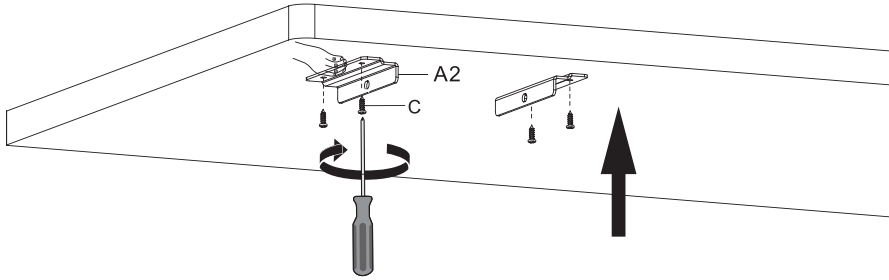
Remove the screws from the sides of the mount **(A)**, and separate into the screws **(A1)**, brackets **(A2)** and mount **(A3)**.



STEP 6

OPTION A: Under Desk Installation

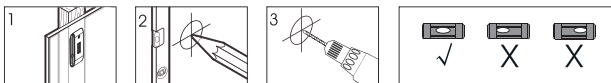
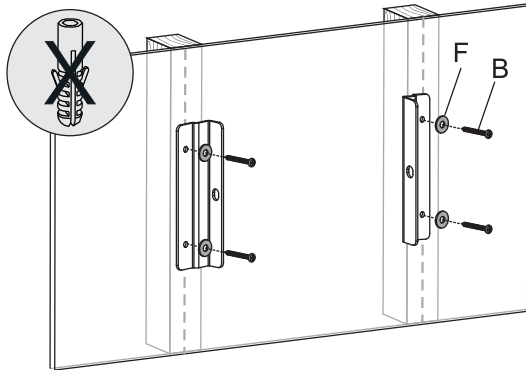
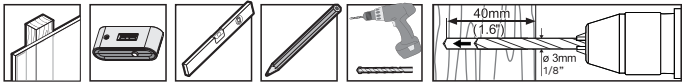
Using marked locations, drill $3/8"$ (10mm) deep holes using a $1/8"$ (3mm) drill bit. Mount the brackets (**A2**) to the desk using ST4.8x19mm screws (**C**).



OPTION B: Wood Stud Wall Installation

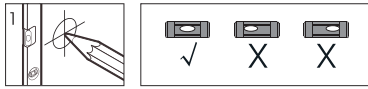
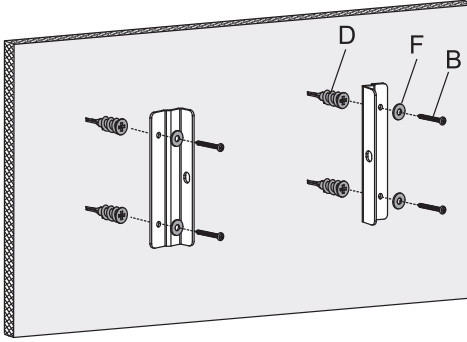
Using marked locations, drill $1.6"$ (40mm) deep holes using a $1/8"$ (3mm) drill bit. Mount the brackets (**A2**) to the wall using ST4.2x35mm screws (**B**) with washers (**F**).

NOTE: If only one bracket aligns with a stud, refer to "Option C: Drywall Installation" for the other bracket.



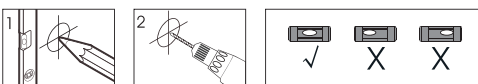
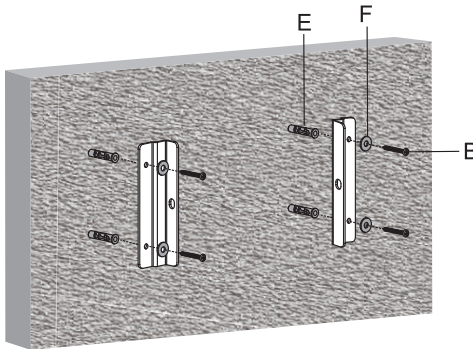
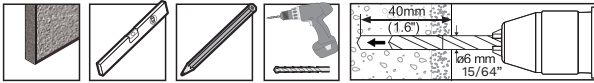
OPTION C: Drywall Installation

Using a Phillips screwdriver, screw drywall anchors (**D**) into marked locations (the anchors are self tapping and do not require pre-drilling the wall). Mount the brackets (**A2**) to the wall using ST4.2x35mm screws (**B**) with washers (**F**).



OPTION D: Concrete/Brick Wall Installation

Using marked locations, drill 1.6" (40mm) deep holes using a 15/64" (6mm) drill bit. Press the concrete anchors (**E**) into the holes and mount the brackets (**A2**) to the wall using ST4.2x35mm screws (**B**) with washers (**F**).

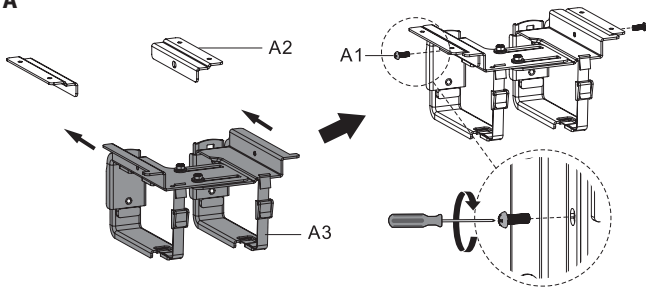


STEP 7

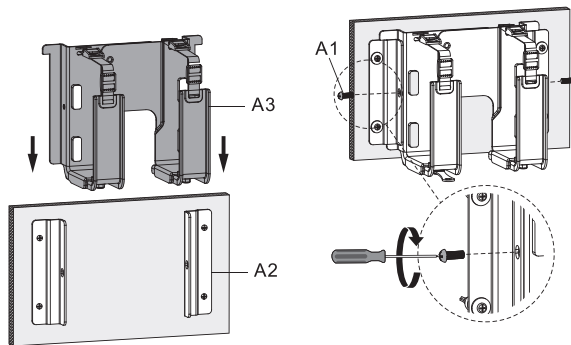
Slide the mount (A3) onto the brackets (A2) and secure using screws (A1).



FOR OPTION A

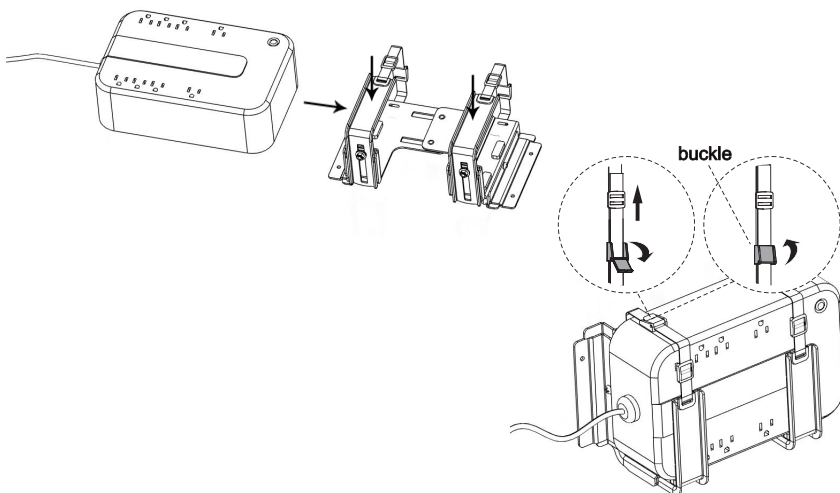


FOR OPTION B, C, D



STEP 8

Loosen the two nuts on each support and re-insert the UPS into the mount. Push the supports against the UPS and tighten down the nuts. Unlock the buckle on each strap, tighten the straps around the UPS, and lock the buckle to secure.






Open **Monday - Friday 7:00am - 7:00pm** CST,
our dedicated support team can offer immediate assistance with rapid response times. If any parts are received damaged or defective, please contact us. We are happy to replace parts to ensure you have a fully functioning product.


 help@vivo-us.com

AVG. RESPONSE TIME (*within office hrs*): **1HR 8M**

- 23% within < 15m
- 38% within < 30m
- 61% within < 1hr
- 83% within < 2hr
- 92% within < 3hr

 www.vivo-us.com
Chat live with an agent!

AVG. RESOLUTION TIME (*within office hrs*): **< 15 M**

 309-278-5303

AVG. RESOLUTION TIME (*within office hrs*): **5M 4S**