

# Wall Mount Designed for Samsung TV's

SKU: MOUNT-TVSG1

Instruction Manual

---

Assembly Video & Product Info  
[www.vivo-us.com/products/mount-tvsg1](http://www.vivo-us.com/products/mount-tvsg1)



# ! CAUTION! !

If you do not understand these directions, or if you have any doubts about the safety of the installation, please contact our product support team at 309-278-5303 or [help@vivo-us.com](mailto:help@vivo-us.com) for further assistance. Check carefully to make sure there are no missing or defective parts. Improper installation may cause damage or serious injury. Do not use this product for any purpose that is not explicitly specified in this manual. Do not exceed weight capacity. We cannot be liable for damage or injury caused by improper mounting, incorrect assembly or inappropriate use.



## WARNING: CHOKING HAZARD

SMALL PARTS - NOT FOR CHILDREN UNDER 3 YEARS. ADULT SUPERVISION IS REQUIRED.



## DO NOT EXCEED WEIGHT CAPACITY

FAILURE TO DO SO MAY RESULT IN SERIOUS INJURY.



## WARNING: DO NOT INSTALL INTO DRYWALL ALONE

VERIFY YOUR WALL CONSTRUCTION. USE WOOD STUDS TO MOUNT. We include mounting for brick and concrete walls. If unsure, please contact us at [vivo-us.com](http://vivo-us.com), email at [help@vivo-us.com](mailto:help@vivo-us.com), or call us at 309-278-5303.

---

## We're Here for You

Open **Monday - Friday 7:00am - 7:00pm CST**,

our dedicated support team can offer immediate assistance with rapid response times. If any parts are received damaged or defective, please contact us. We are happy to replace parts to ensure you have a fully functioning product.



Give us a Call:  
**309-278-5303**

AVG. RESOLUTION TIME (*within office hrs*): **5M 4S**



Chat Us:  
**[www.vivo-us.com](http://www.vivo-us.com)**

AVG. RESOLUTION TIME (*within office hrs*): **< 15 M**

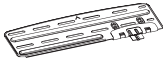


Email Us:  
**[help@vivo-us.com](mailto:help@vivo-us.com)**

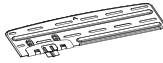
AVG. RESPONSE TIME (*within office hrs*): **1HR 8M**

- 23% within < 15m
- 38% within < 30m
- 61% within < 1hr
- 83% within < 2hr
- 92% within < 3hr

## Package Contents



**A (x1)**  
Left Wall Plate



**B (x1)**  
Right Wall Plate



**C (x1)**  
Left TV Plate



**D (x1)**  
Right TV Plate



**E (x1)**  
Kickstand



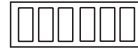
**F (x2)**  
Protective Film



**G (x4)**  
Square Pad



**H (x2)**  
Round Pad



**I (x1)**  
Sticker

---

## Included Hardware & Tools



**M-A (x2)**  
M8x55mm Screw



**M-B (x3)**  
M8x18mm Screw



**M-C (x2)**  
M8x10mm Screw



**M-D (x2)**  
Spacer



**W-A (x8)**  
ST5.5x55mm  
Screw



**W-B (x8)**  
Anchor



**T-A (x1)**  
Measuring Tape

---

## Tools Needed:



**Drill**



**Phillips  
Screwdriver**



**Pencil**



**Level**



**Studfinder**

---

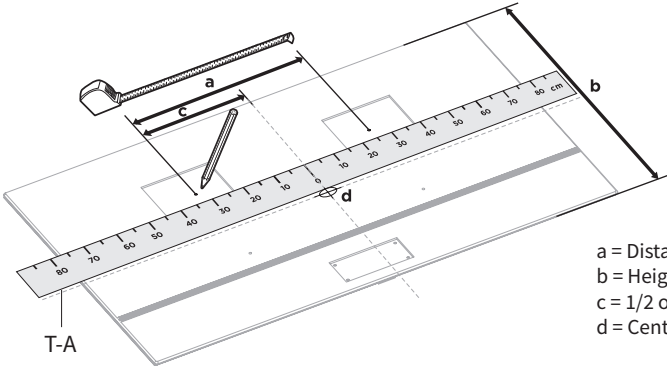
## Weight Capacity:



**132lbs  
(60kg)**

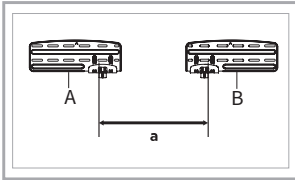
# Preparing Your TV

Find the center of your TV using Measuring Tape (T-A). Mark the distance of your TV's top VESA mounting holes on Measuring Tape (T-A). If the VESA holes are 1000mm (39.4") or greater, swap Left Wall Plate (A) and Right Wall Plate (B), and use the orientation through the remainder of the manual.



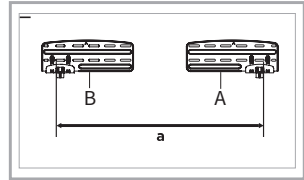
a = Distance between VESA holes  
 b = Height of TV  
 c = 1/2 of a  
 d = Center of TV

a < 800mm

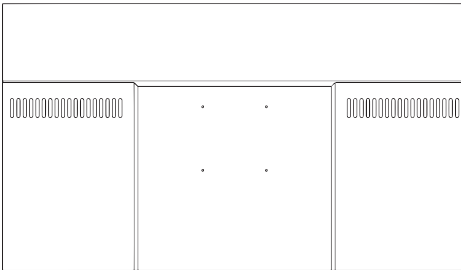


OR

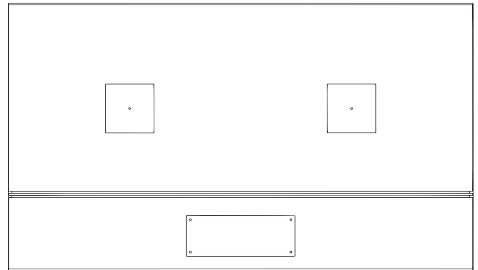
a > 1000mm



## Assembly Options



*Option 1*  
**TV with VESA Holes**  
 Page 5-6

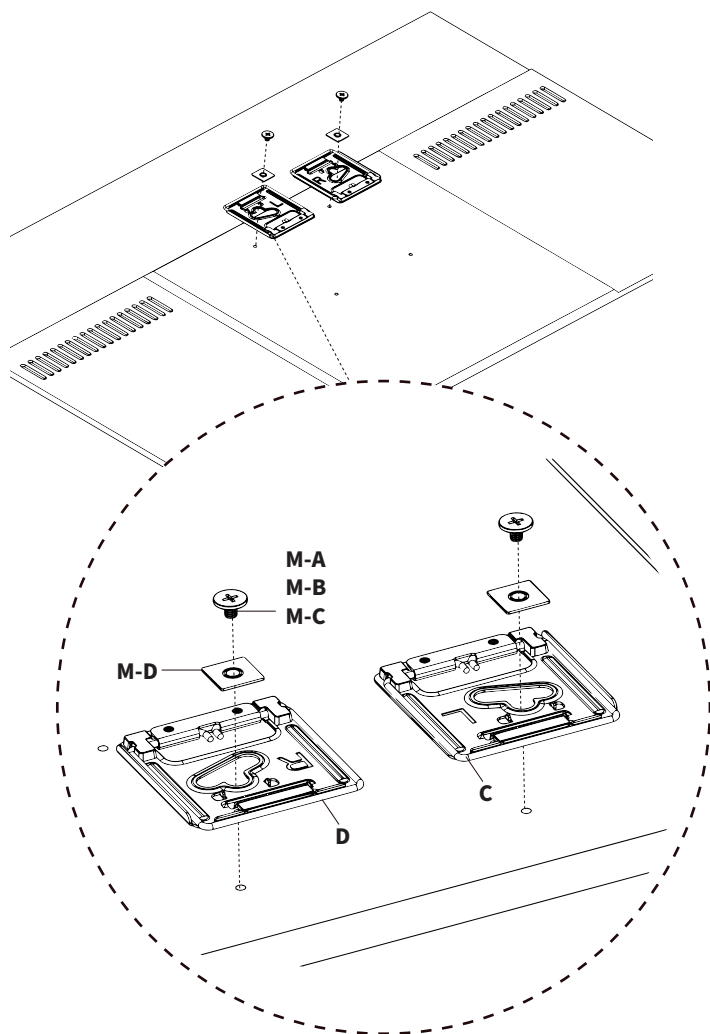


*Option 2*  
**TV with Recessed Mounting Pocket**  
 Page 7-8

## - Option 1 - VESA Holes -

### STEP 1

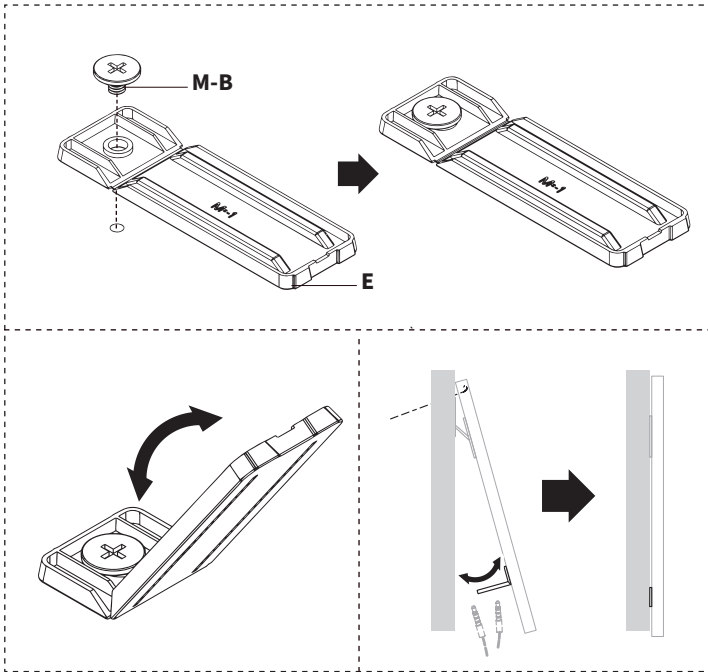
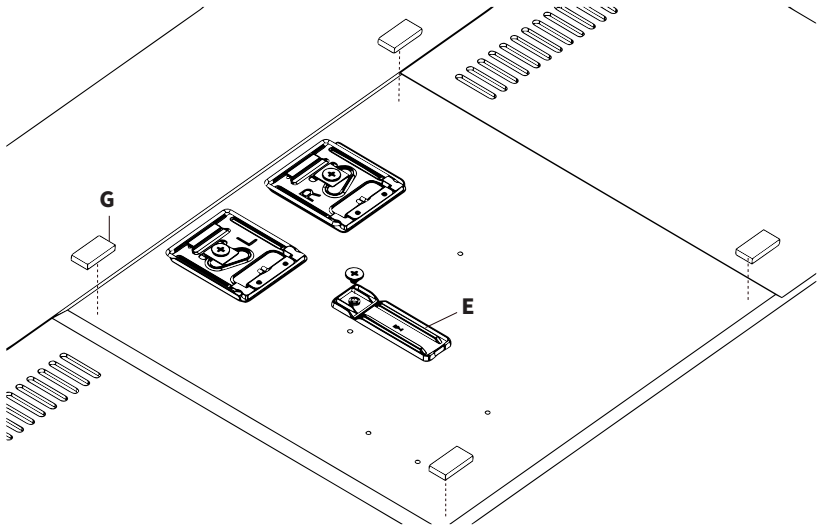
Assemble Left TV Plate (**C**) and Right TV Plate (**D**) to the TV using Spacers (**M-D**) and appropriate Screws (**M-A through M-C**) and the spacers provided with your TV.



*Note: Ensure you are using the top VESA holes*

## STEP 2

Remove adhesive backing from Square Pads (**G**) and place them on the back of the TV. Mount Kickstand (**E**) to one of the lower VESA holes using M8x18mm Screw (**M-B**) to access the TV ports.

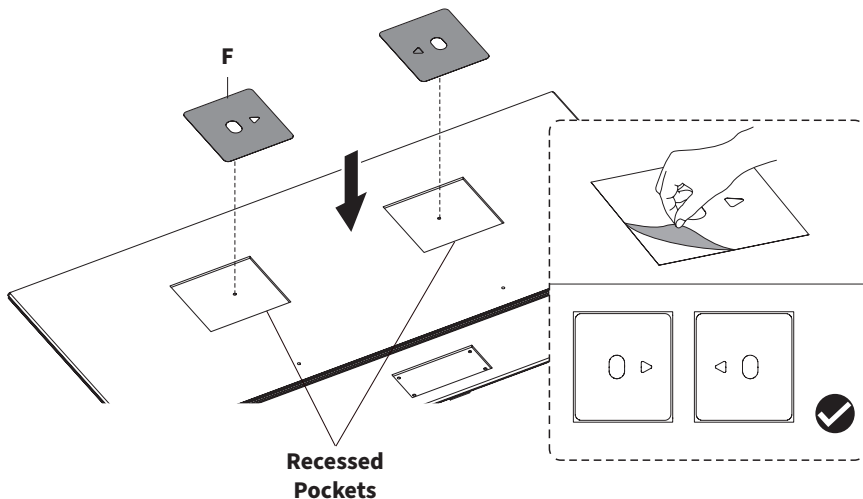


**Proceed to Wall Mount  
Instructions on pg. 9**

## Option 2 - Recessed Pockets

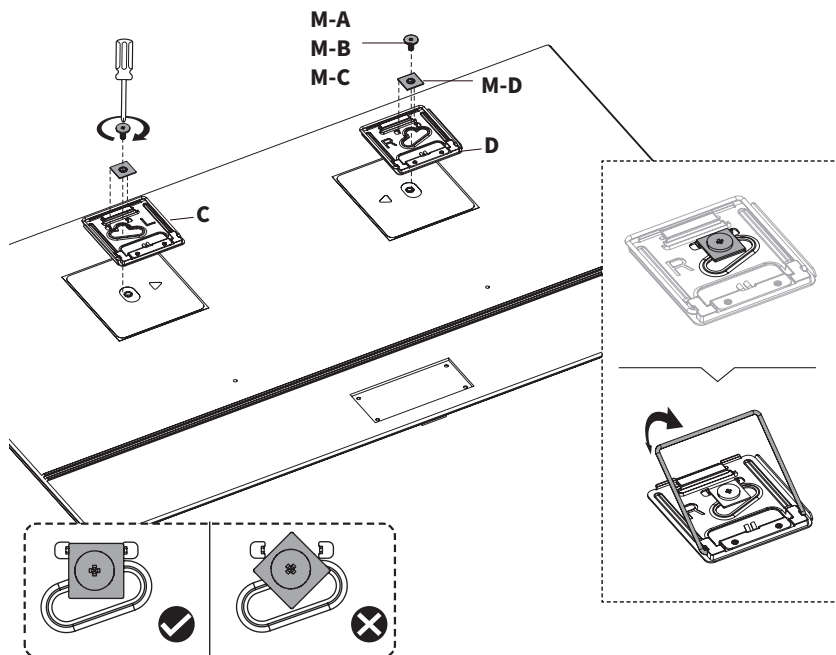
### STEP 1

Remove the adhesive backing from Protective Film (F) and place into the **Recessed Pockets** holes on the TV, making sure the arrows are facing inward.



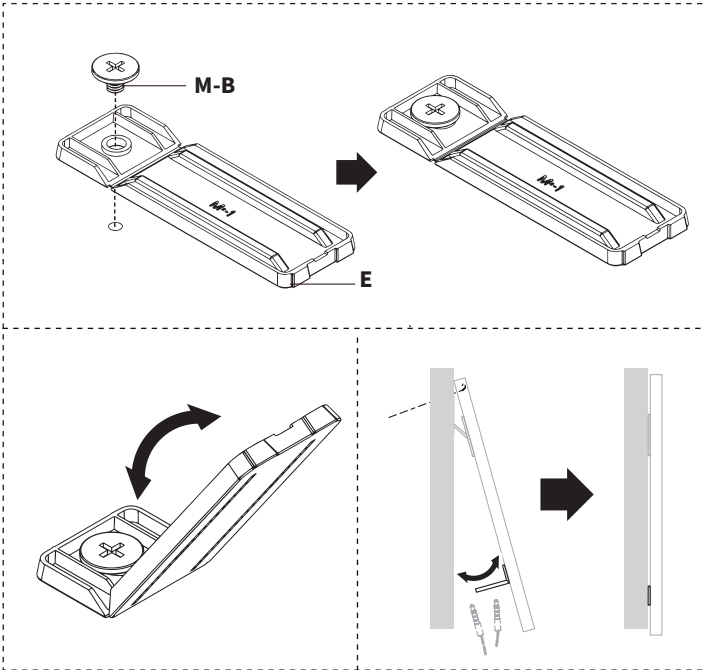
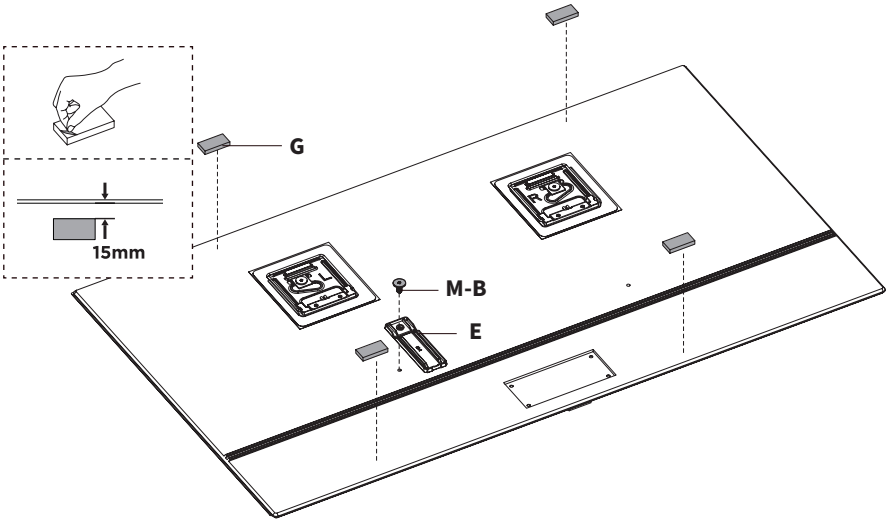
### STEP 2

Assemble Left TV Plate (C) and Right TV Plate (D) to the TV using Spacers (M-D) and Screws (M-A through M-C). Snap Spacers (M-F) in between the tabs on TV Plates (C,D) with the raised side facing down.



### STEP 3

Remove adhesive backing from Square Pads (**G**) and place them on the back of the TV. Mount Kickstand (**E**) to one of the lower VESA holes using M8x18mm Screw (**M-B**) to access the TV ports.



**Proceed to Wall Mount  
Instructions on pg. 9**

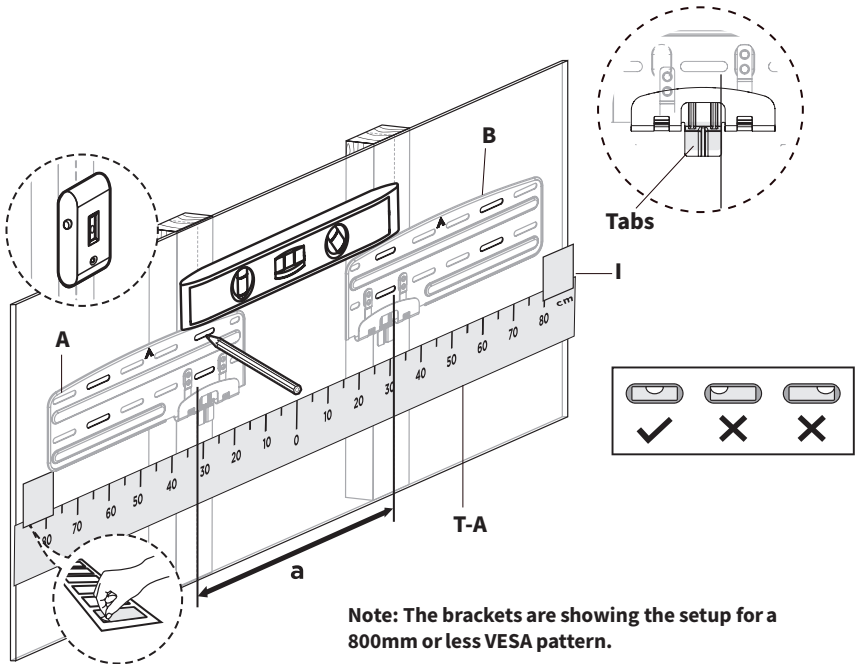


# Wall Mounting

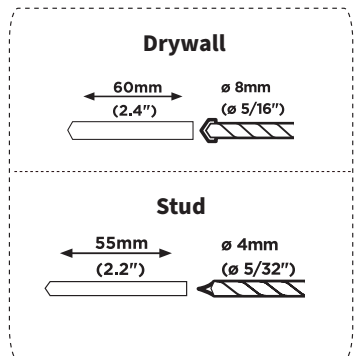
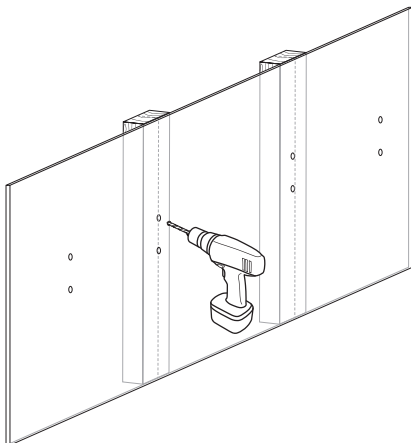
**\*Note:** If installing One Connect Box to the back side of TV, please refer to Mounting Instructions on pg. 14

## Stud/Wood Wall Installation

Secure Measuring Tape (**T-A**) to the wall in the desired location using Stickers (**I**). Align the marks on Measuring Tape (**T-A**) with the outside of the **Tabs** on Left Wall Plate (**A**) and Right Wall Plate (**B**). Mark drilling locations. Use of a stud finder and level is recommended.

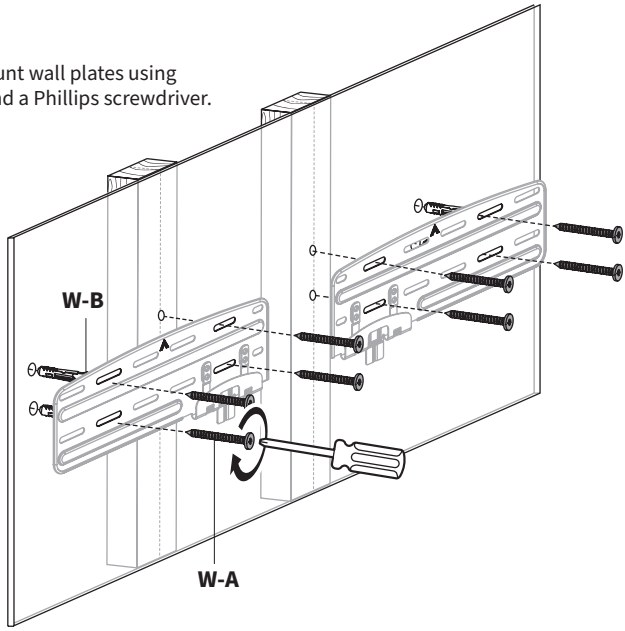


Pre-drill the marked location. For drywall, use an 8mm (5/16") drill bit, and drill approximately 60mm (2.4"). For studs, use a 4mm (5/32") drill bit, and drill approximately 55mm (2.2") deep.

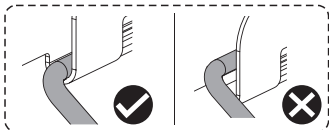
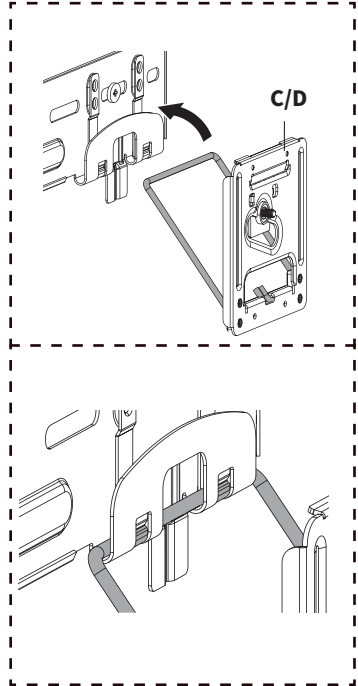
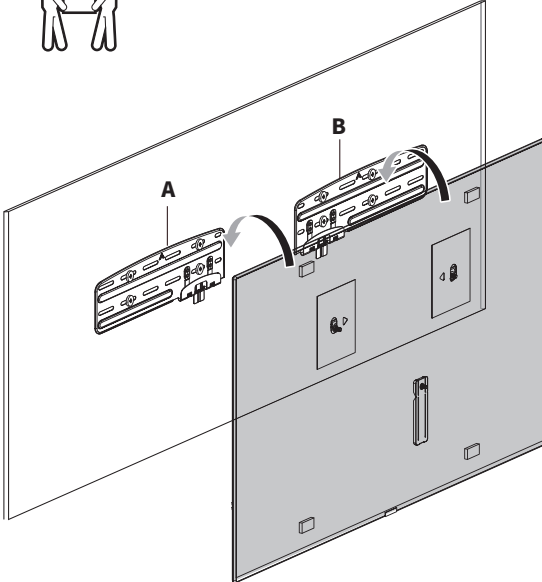


**Cont'D**

Insert Anchors (**W-B**) and mount wall plates using ST5.5x55mm Screws (**W-A**) and a Phillips screwdriver.

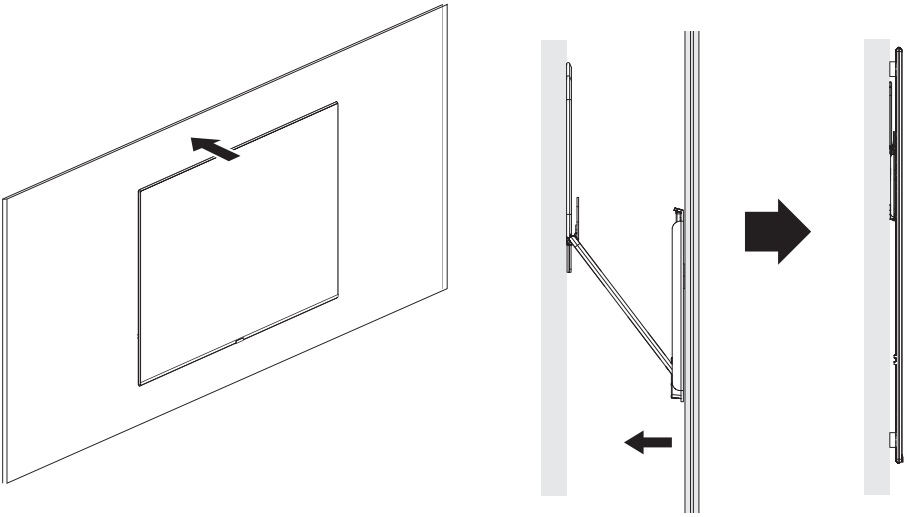


Hang Left TV Plate (**C**) and Right TV Plate (**D**) over Left Wall Plate (**A**) and Right Wall Plate (**B**).



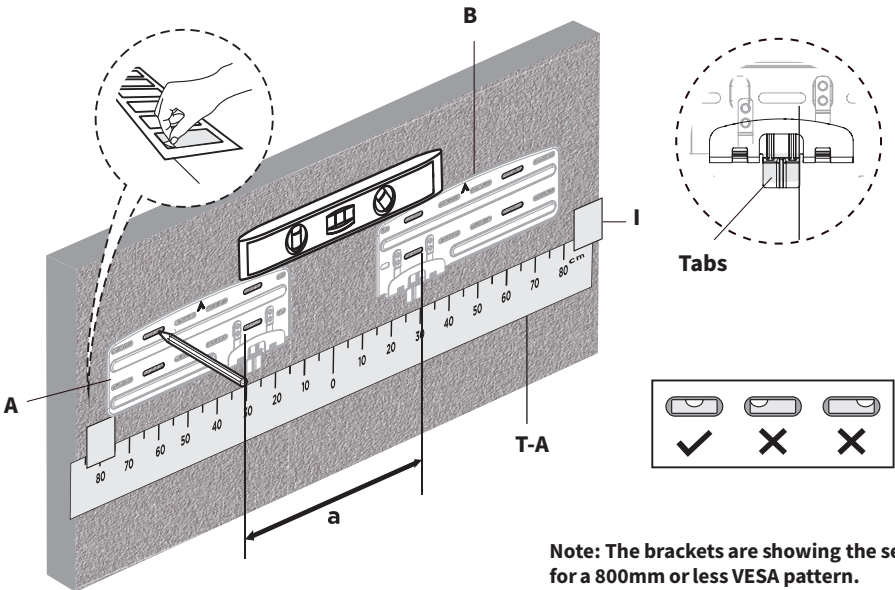
## Cont'd

Pull down on TV to lock TV Plates (C,D) into Wall Plates (A,B).



## CONCRETE/BRICK

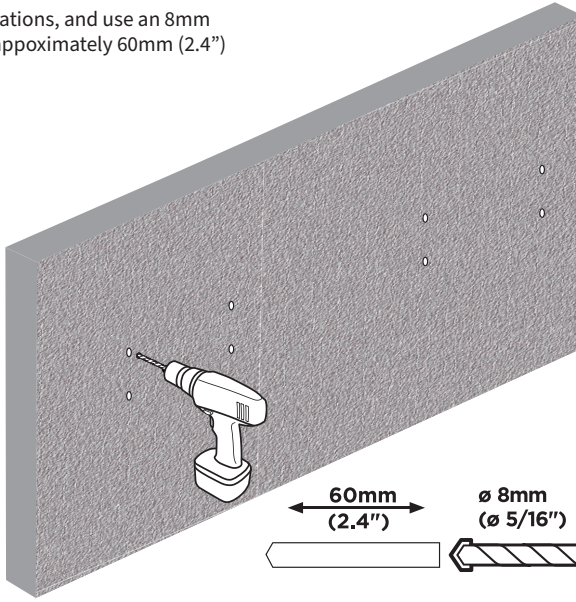
Secure Measuring Tape (T-A) to the wall in the desired location using Stickers (I). Align the marks on Measuring Tape (T-A) with the outside of the Tabs on Left Wall Plate (A) and Right Wall Plate (B). Mark drilling locations.



**Note:** The brackets are showing the setup for a 800mm or less VESA pattern.

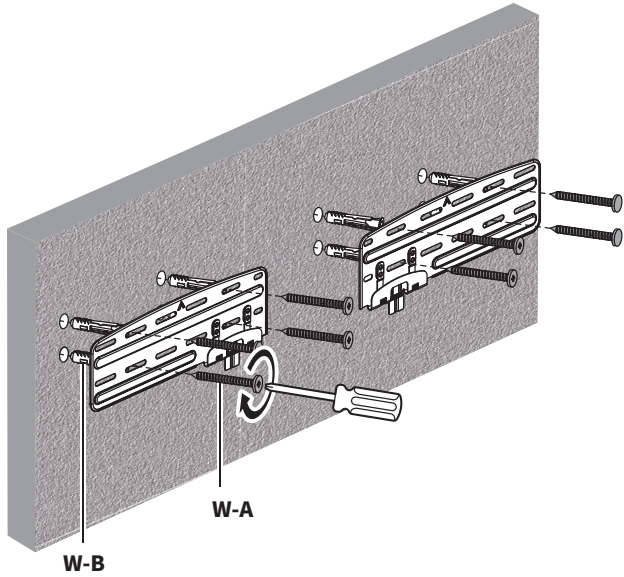
**Cont'd**

Pre-drill the marked locations, and use an 8mm (5/16") drill bit drilling approximately 60mm (2.4") deep.

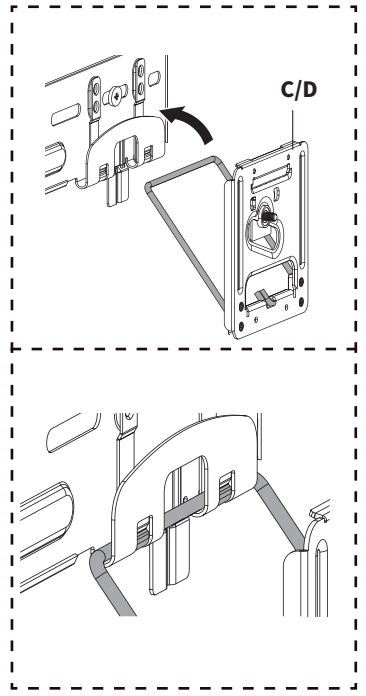
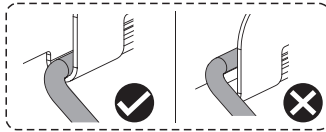
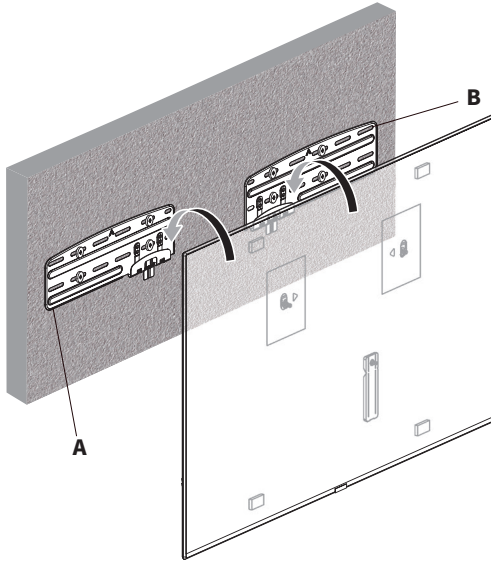


---

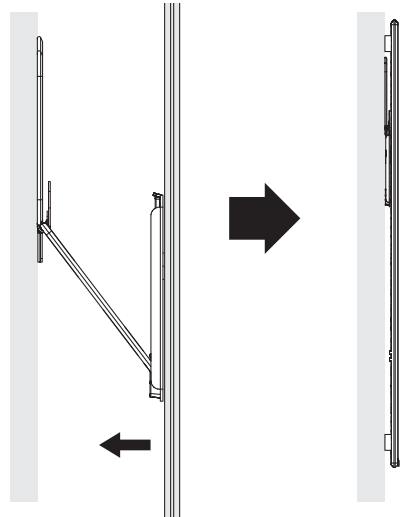
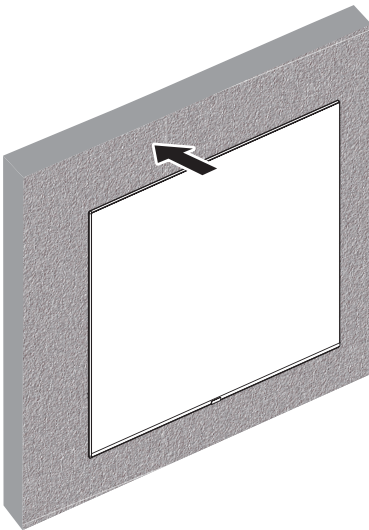
Insert Anchors (**W-B**) and mount Wall Plates using ST5.5x55mm Screws (**W-A**) and a Phillips screwdriver.



Hang Left TV Plate **(C)** and Right TV Plate **(D)** over Left Wall Plate **(A)** and Right Wall Plate **(B)**.



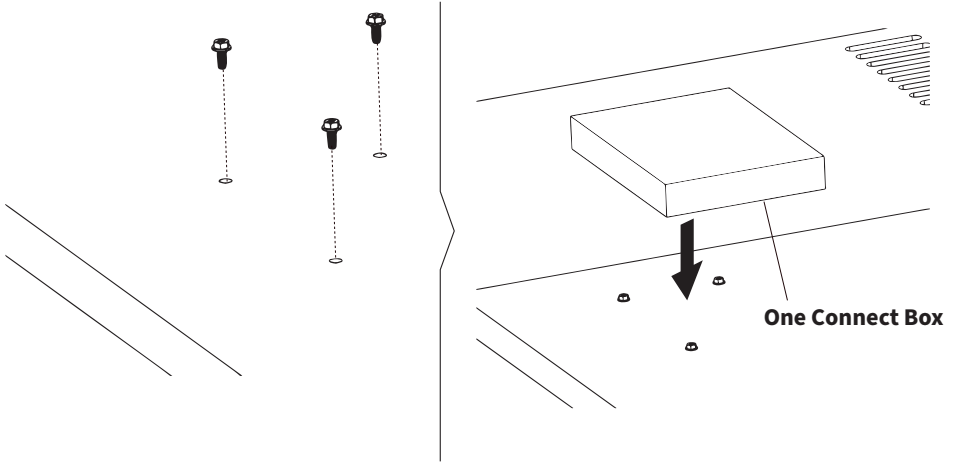
Pull down on TV to lock TV Plates **(C,D)** into Wall Plates **(A,B)**.



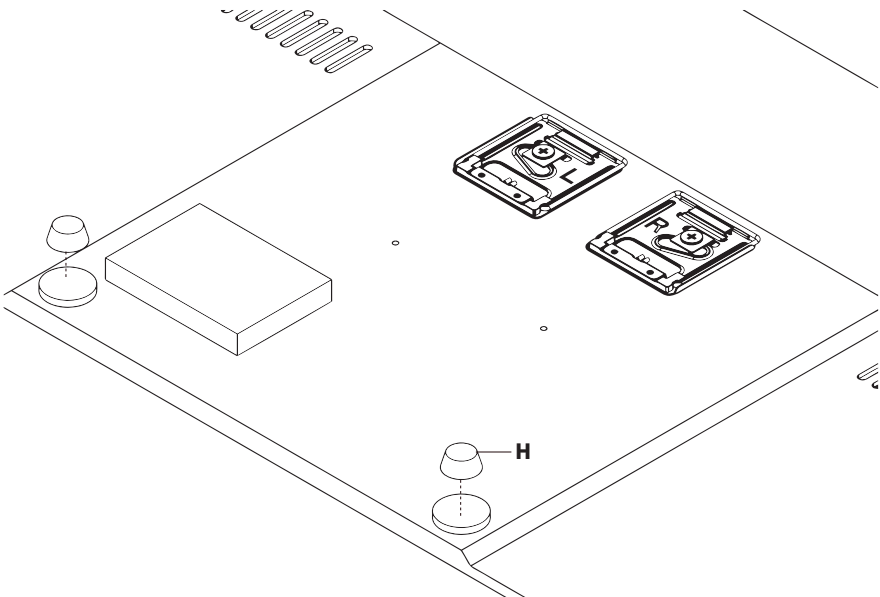
# One Connect Box Mounting Instructions

## STEP 1

Install the mounting screws that came with your TV to the location on the back of the TV specified in your instructions. Install the One Connect Box by sliding and clicking it into place.

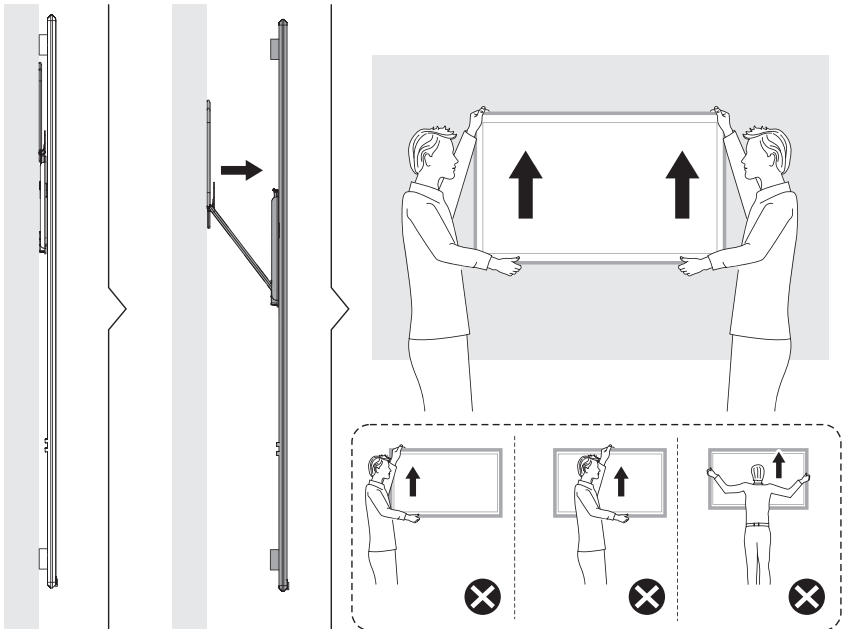
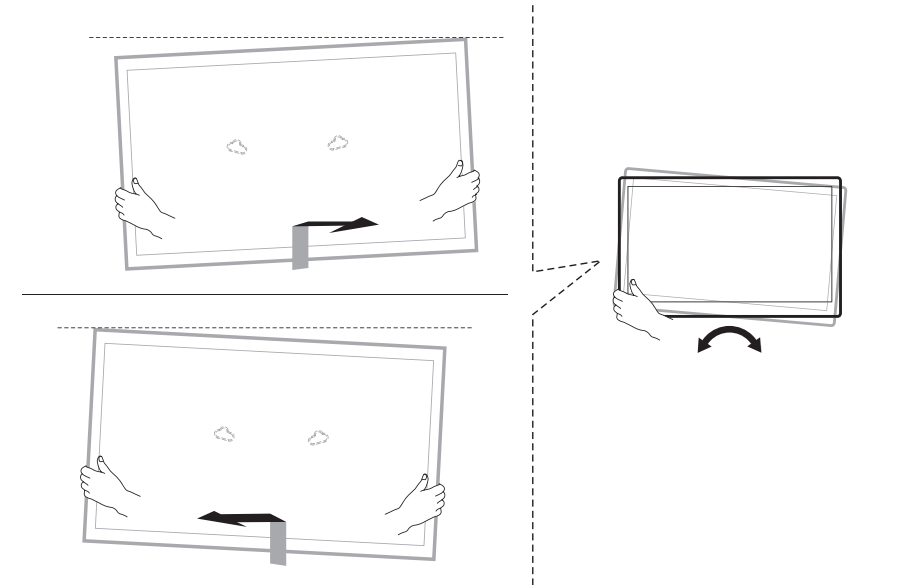


Remove the adhesive backing from Round Pads (**H**) and place them at the bottom of the TV with the spacers provided with your TV.



# Removing TV From Wall

To remove the TV, lift up on one side first to unlock one plate, then lift up and unlock the other side. Lift the TV up and out of the mount.





## **Need Help? Get In Touch**

Monday-Friday from 7:00am-7:00pm CST



[help@vivo-us.com](mailto:help@vivo-us.com)



[www.vivo-us.com](http://www.vivo-us.com)

*Chat live with an agent!*



309-278-5303



**VIVO-us @vivo\_us**