

Quick Release TV Wall Mount

SKU: MOUNT-TVQR1

Instruction Manual

Assembly Video & Product Info
www.vivo-us.com/products/mount-tvqr1



! CAUTION! !

If you do not understand these directions, or if you have any doubts about the safety of the installation, please contact our product support team at 309-278-5303 or help@vivo-us.com for further assistance. Check carefully to make sure there are no missing or defective parts. Improper installation may cause damage or serious injury. Do not use this product for any purpose that is not explicitly specified in this manual. Do not exceed weight capacity. We cannot be liable for damage or injury caused by improper mounting, incorrect assembly or inappropriate use.



WARNING: CHOKING HAZARD

SMALL PARTS - NOT FOR CHILDREN UNDER 3 YEARS. ADULT SUPERVISION IS REQUIRED.



DO NOT EXCEED WEIGHT CAPACITY

FAILURE TO DO SO MAY RESULT IN SERIOUS INJURY.



WARNING: DO NOT INSTALL INTO DRYWALL ALONE

VERIFY YOUR WALL CONSTRUCTION. USE WOOD STUDS TO MOUNT. We include mounting for brick and concrete walls. If unsure, please contact us at vivo-us.com, email at help@vivo-us.com, or call us at 309-278-5303.

We're Here for You

Open **Monday - Friday 7:00am - 7:00pm CST**, our dedicated support team can offer immediate assistance with rapid response times. If any parts are received damaged or defective, please contact us. We are happy to replace parts to ensure you have a fully functioning product.



Give us a Call:
309-278-5303

AVG. RESOLUTION TIME (*within office hrs*): **5M 4S**



Chat Us:
www.vivo-us.com

AVG. RESOLUTION TIME (*within office hrs*): **< 15 M**

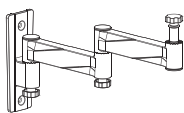


Email Us:
help@vivo-us.com

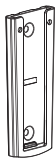
AVG. RESPONSE TIME (*within office hrs*): **1HR 8M**

- 23% within < 15m
- 38% within < 30m
- 61% within < 1hr
- 83% within < 2hr
- 92% within < 3hr

Package Contents



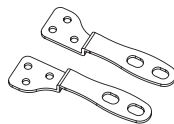
A (x1)
Arm



B (x2)
Wall Plate



C (x1)
VESA Plate



D (x4)
VESA Extension
Set

Included Hardware & Tools



S-A (x8)
M5x10mm Screw



S-B (x8)
M5 Nut



S-C (x4)
M6x6mm Set Screw



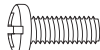
M-A (x4)
M4x14mm Screw



M-B (x4)
M5x14mm Screw



M-C (x4)
M6x14mm Screw



M-D (x4)
M8x20mm Screw



M-E (x4)
M5 Washer



M-F (x4)
M8 Washer



M-G (x8)
Spacer



W-A (x4)
ST6.3x50mm Screw



W-B (x4)
Concrete Anchor



T-A (x1)
3mm Allen Wrench



T-B (x1)
5mm Allen Wrench

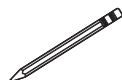
Tools Needed:



**Phillips
Screwdriver**



Level



Pencil



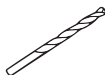
**Stud
Finder**



Wrench



Drill

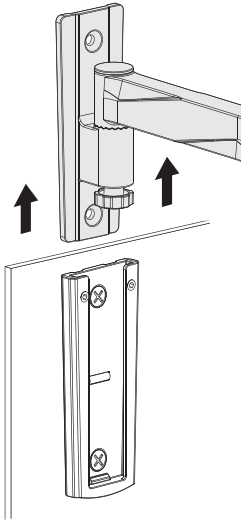


**3/16"
Drill Bit**

Weight Capacity:



ASSEMBLY OPTIONS:

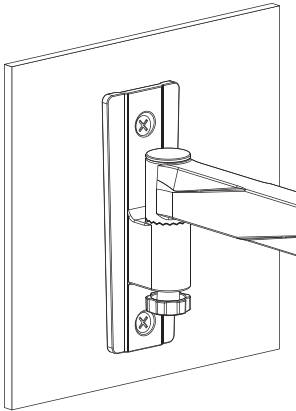


OPTION 1: Quick Release

Allows for quick installation and removal of TV. Quick Release Plate allows Mount Arm to slide on and off for easy storage in RV's & homes. Compatible with wood or concrete walls.

Wood Wall Installation | pg 5-6
Concrete Wall Installation | pg 7-8

Note: Two wall plates are provided to allow for secondary installation location. TV can be moved from one location to the other.



OPTION 2: Standard Wall Mount

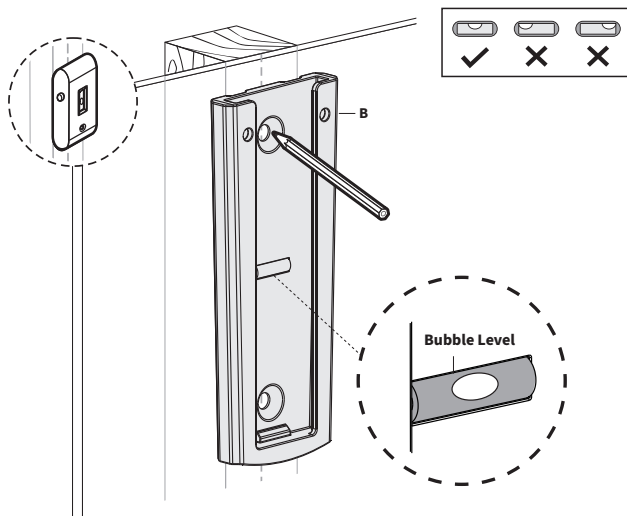
The Mount Arm secures directly to the wall for residential use. Compatible with wood or concrete walls.

Wood Wall Installation | pg 9
Concrete Wall Installation | pg 10

Quick Release: Wood Wall Installation

STEP 1

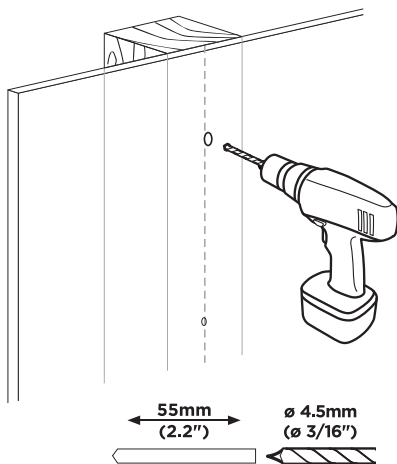
Hold Wall Plate **(B)** up to your desired mounting location and use the built-in **Bubble Level** on plate to level. Use a pencil to mark holes. Remove Plate and two drill 2.2" (55mm) deep holes using a 3/16" (4.5mm) drill bit.



Second Mounting Location:

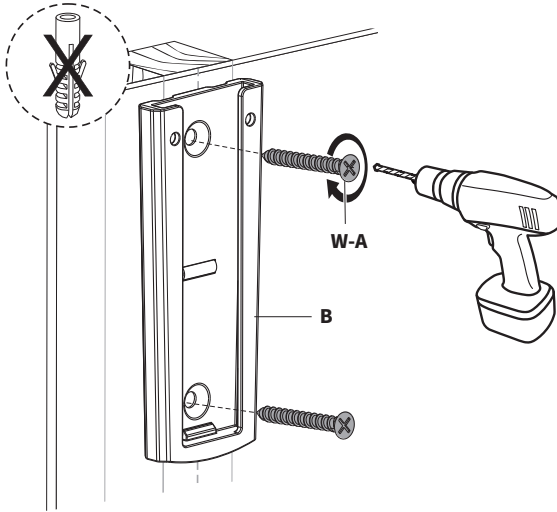
Two Wall Plates are provided to allow for a secondary installation location. The quick release feature allows you to move the mount arm from one location to another.

Second plate can be used on either a wood or concrete wall. Follow appropriate mounting steps

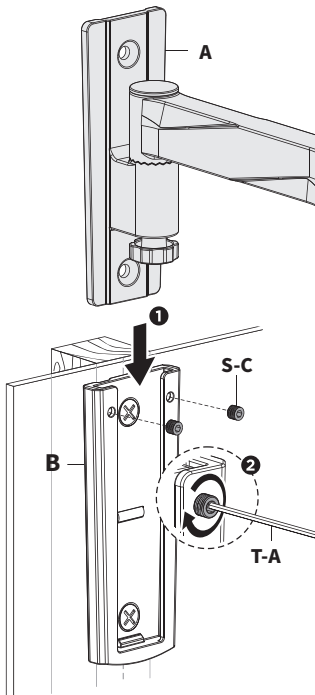


STEP 2

Secure Wall Plate (B) to mounting location using ST6.3x50mm Screws (W-A) and a drill. Use of a level is highly recommended.



Slide Arm (A) into one of your installed Wall Plates (B), then secure using the M6x6mm Set Screws (S-C) and 3mm Allen Wrench (T-A).



Second Mounting Location:

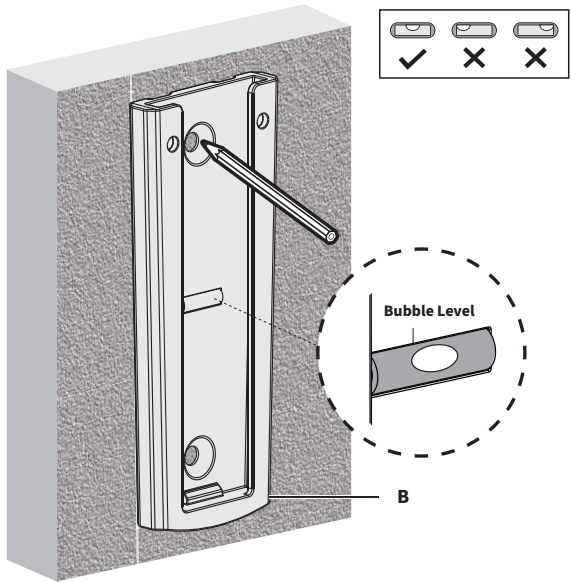
To use Arm in second mounting location, remove Set Screws and slide Arm out.

**Proceed to
TV Mounting on page 11**

Quick Release: Concrete Installation

STEP 1

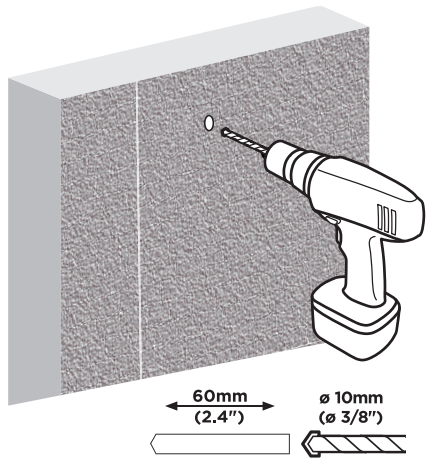
Hold Wall Plate **(B)** up to your desired mounting location and use the built-in **Bubble Level** on plate to level. Use a pencil to mark holes. Remove Plate and drill two 2.4" (60mm) deep holes using a 3/8" (10mm) drill bit.



Second Mounting Location:

Two Wall Plates are provided to allow for a secondary installation location. The quick release feature allows you to move the mount arm from one location to another.

Second plate can be used on either a wood or concrete wall. Follow appropriate mounting steps



STEP 2

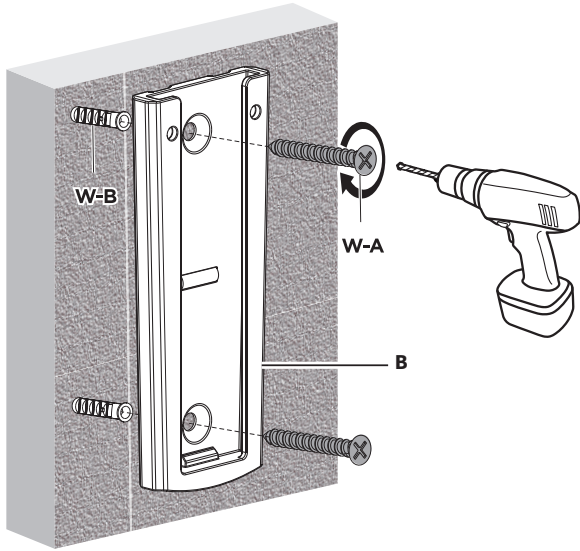
Press Concrete Anchors (**W-B**) into the drilled holes, then secure Wall Plate (**B**) using ST6.3x50mm Screws (**W-A**) and a drill. Use of a level is highly recommended.



W-A (x2)



W-B (x2)



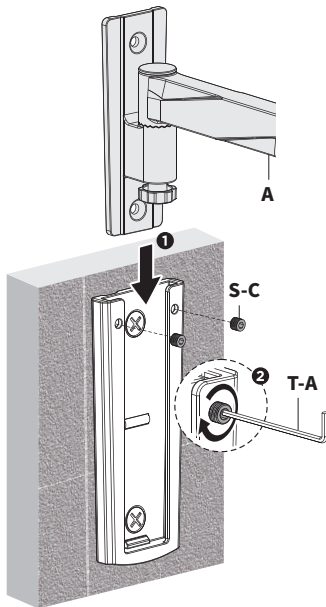
Slide Arm (**A**) into one of your installed Wall Plates (**B**), then secure using the M6x6mm Set Screws (**S-C**) and 3mm Allen Wrench (**T-A**).



T-A



S-C (x2)



Second Mounting Location:

To use Arm in second mounting location, remove Set Screws and slide Arm out.

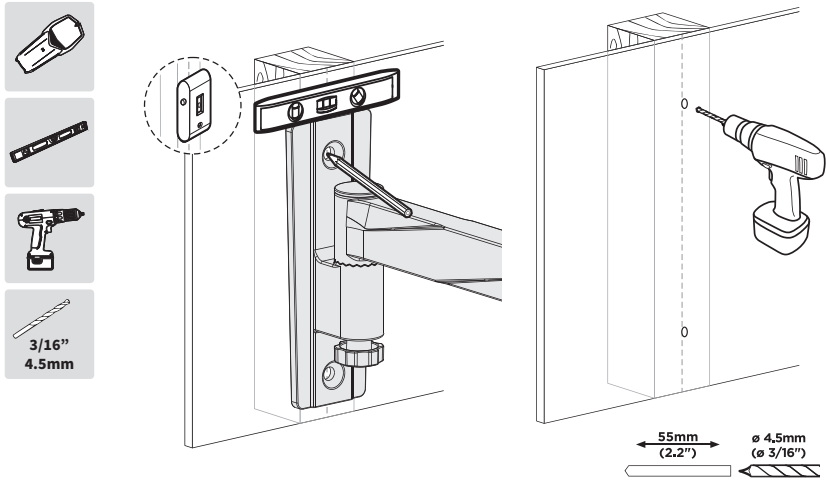
**Proceed to
TV Mounting on page 11**

Standard Wall Mount: Wood Wall Installation

STEP 1

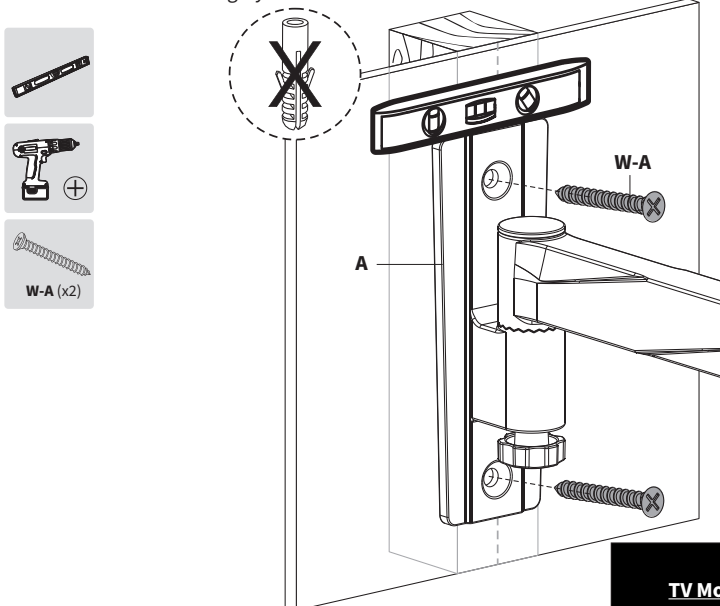
WOOD STUD INSTALLATION:

Hold Arm **(A)** up to your desired mounting location and mark the hole locations using a pencil. Use of a level is highly recommended. Drill 2.2" (55mm) deep holes using a 3/16" (4.5mm) drill bit.



STEP 2

Secure Arm **(A)** to wall using ST6.3x50mm Screws **(W-A)** and a drill with a Phillips bit or 10mm socket. Use of a level is highly recommended.



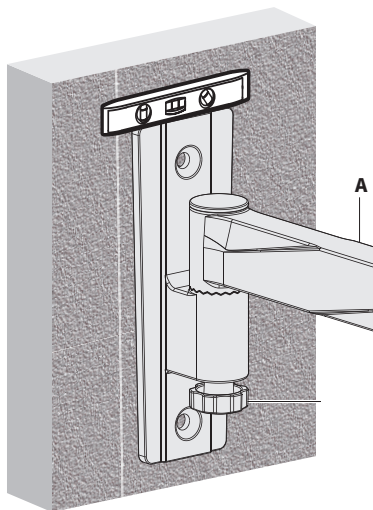
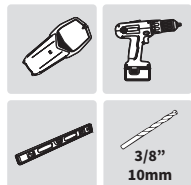
Proceed to
TV Mounting on page 11

Option 2b

Standard Wall Mount: Concrete Wall Installation

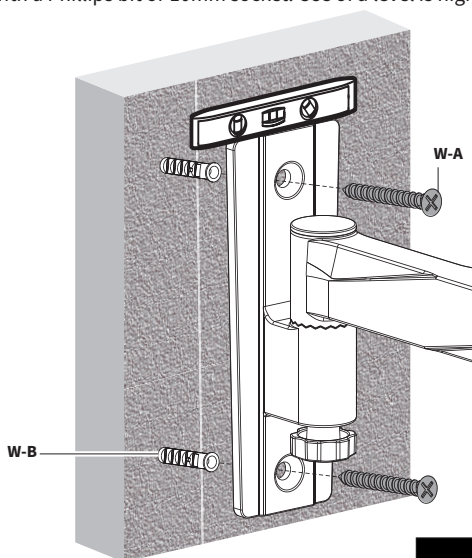
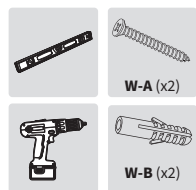
STEP 1

Hold Arm **(A)** up to your desired mounting location and mark the hole locations using a pencil. Use of a level is highly recommended. Drill 2.4" (60mm) deep holes using a 3/8" (10mm) drill bit.



STEP 2

Press Concrete Anchors **(W-B)** into the drilled holes and attach Arm **(A)** to the wall using ST6.3x50mm Screws **(W-A)** and a drill with a Phillips bit or 10mm socket. Use of a level is highly recommended.



Proceed to
TV Mounting on page 11

ALL ASSEMBLIES
TV Mounting Instructions

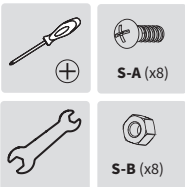
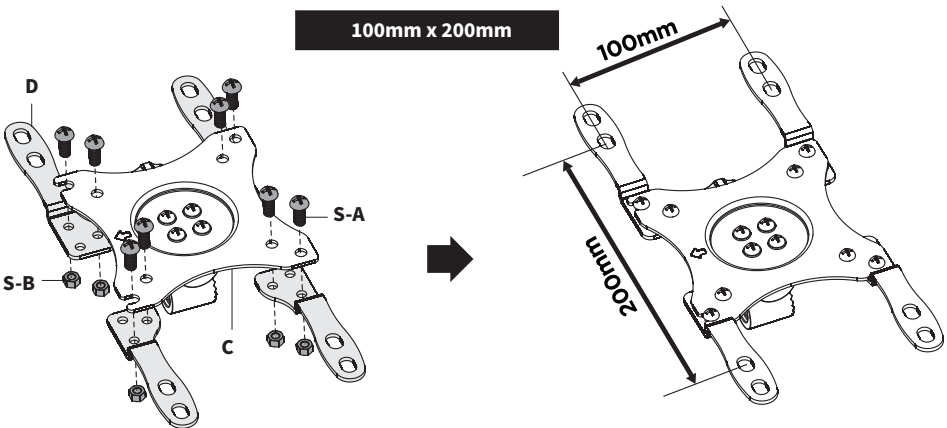
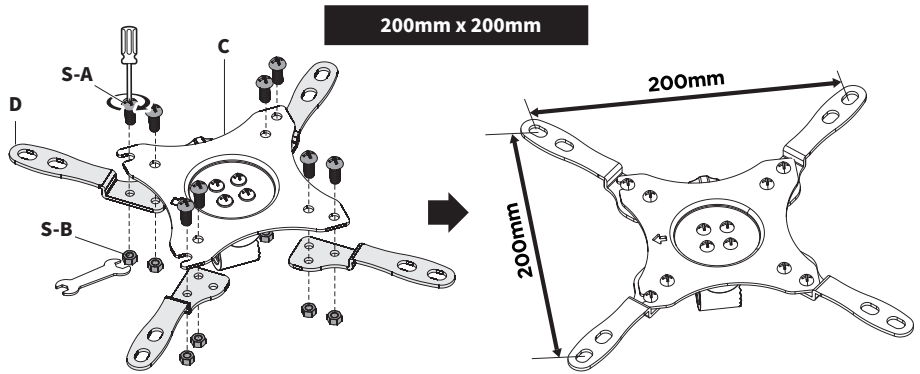
STEP 1

For 100x100mm or 75x75mm VESA Patterns:

Extensions are not needed. Proceed to Step 2.

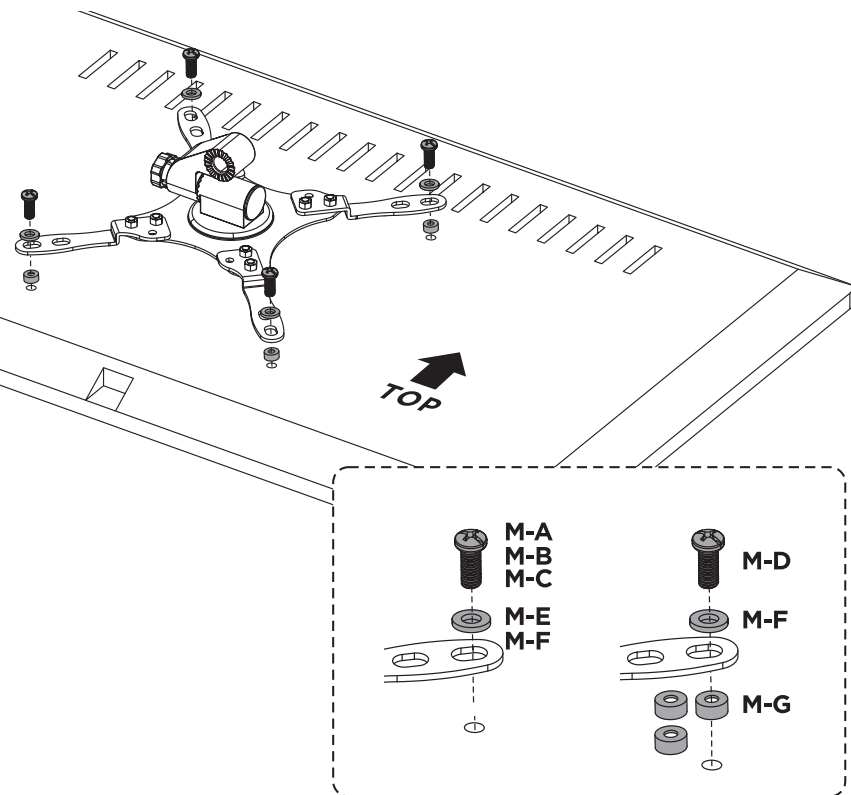
For 200x100 or 200x200 VESA Patterns:

Based on your VESA pattern, assemble VESA Extension Set (D) to VESA Plate (C) following the appropriate image below. Secure using M5x10mm Screws (S-A), M5 Nuts (S-B), and a Phillips screwdriver.



STEP 2

Attach VESA Plate (C) onto your display using Screws (M-A through M-D) and Washers (M-E or M-F). Spacers (M-G) may be required depending on the display.



(x4)

Use appropriate screws from chart above



M-E/M-F (x4)

Use appropriate washers from chart above



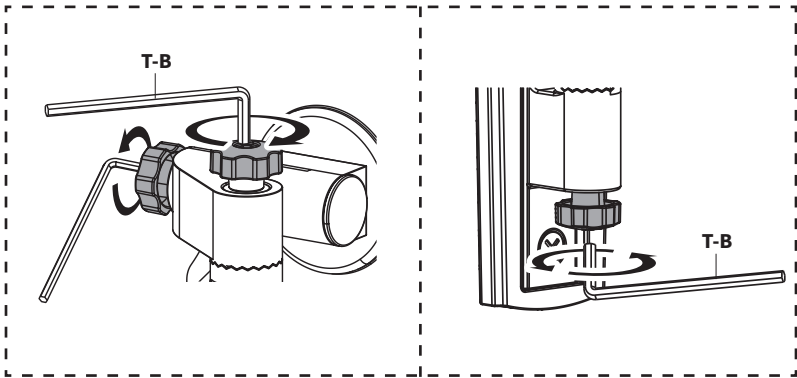
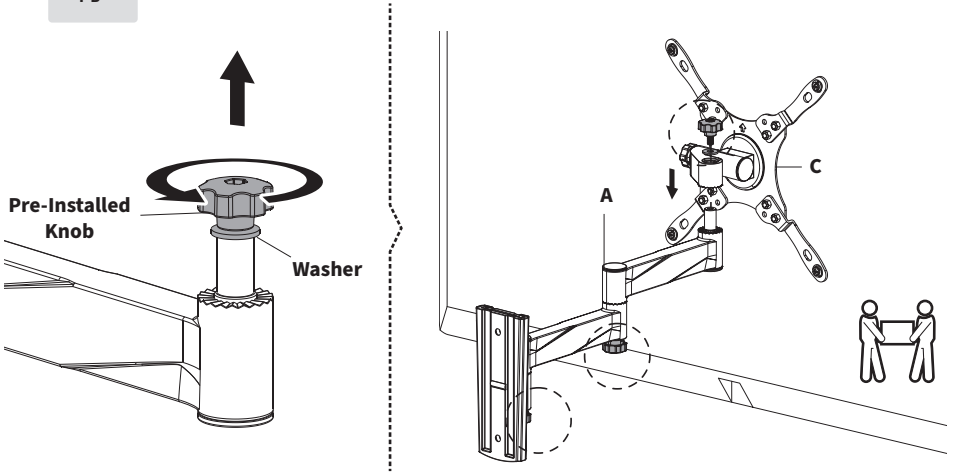
M-G

Use Spacers as needed



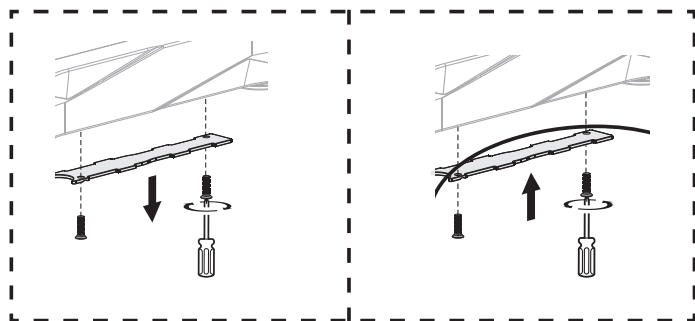
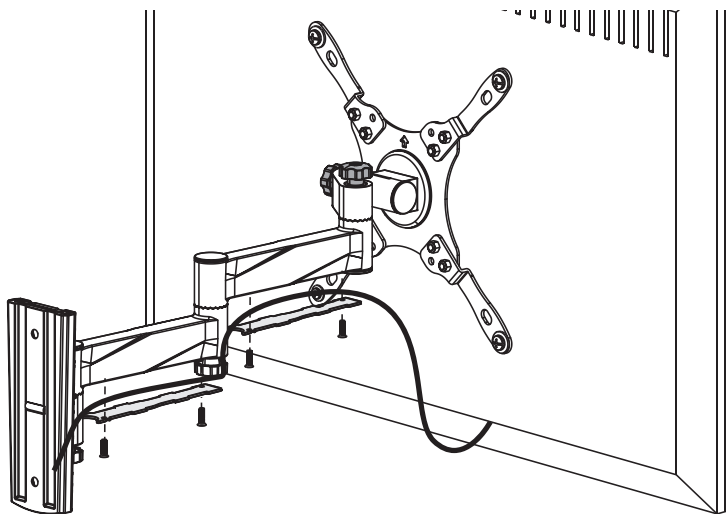
STEP 3

Remove the **Pre-Installed Knob** and **Washer** on Arm (A). Slide VESA Plate (C) onto the Arm and reinstall the removed knob and washer. Once you have set your desired position of the arm, lock down the knobs using 5mm Allen Wrench (T-B).



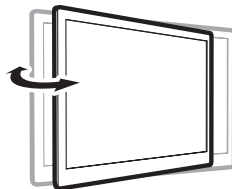
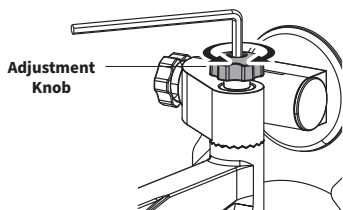
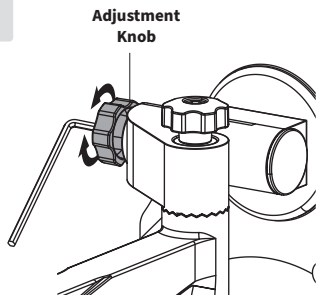
STEP 4

Remove the arm covers using a Phillips screwdriver and route cables through arm and reinstall covers.



STEP 5

Adjust screen tilt and swivel using **Adjustment Knobs** and 5mm Allen Wrench (**T-B**).



WARNING

Always use Allen Wrench to tighten knobs and hold mount when adjusting. **DO NOT** attempt to hand-tighten to adjust. Failure to follow these instructions may result in damage or accidental injury.

LAST UPDATED: 12/26/23

REV1

v1.0



Need Help? Get In Touch

Monday-Friday from 7:00am-7:00pm CST



help@vivo-us.com



www.vivo-us.com

Chat live with an agent!



309-278-5303



VIVO-us



@vivo_us

FOR MORE GREAT VIVO PRODUCTS,
CHECK OUT OUR WEBSITE AT: WWW.VIVO-US.COM