

Universal Micro-Gap TV Wall Mount

SKU: MOUNT-TVMG1
Instruction Manual

Assembly Video & Product Info
www.vivo-us.com/products/mount-tvmg1



! CAUTION! !

If you do not understand these directions, or if you have any doubts about the safety of the installation, please contact our product support team at 309-278-5303 or help@vivo-us.com for further assistance. Check carefully to make sure there are no missing or defective parts. Improper installation may cause damage or serious injury. Do not use this product for any purpose that is not explicitly specified in this manual. Do not exceed weight capacity. We cannot be liable for damage or injury caused by improper mounting, incorrect assembly or inappropriate use.



WARNING: CHOKING HAZARD

SMALL PARTS - NOT FOR CHILDREN UNDER 3 YEARS. ADULT SUPERVISION IS REQUIRED.



DO NOT EXCEED WEIGHT CAPACITY

FAILURE TO DO SO MAY RESULT IN SERIOUS INJURY.



WARNING: DO NOT INSTALL INTO DRYWALL ALONE

VERIFY YOUR WALL CONSTRUCTION. USE WOOD STUDS TO MOUNT. We include mounting for brick and concrete walls. If unsure, please contact us at vivo-us.com, email at help@vivo-us.com, or call us at 309-278-5303.

We're Here for You

Open **Monday - Friday 7:00am - 7:00pm CST**, our dedicated support team can offer immediate assistance with rapid response times. If any parts are received damaged or defective, please contact us. We are happy to replace parts to ensure you have a fully functioning product.



Give us a Call:
309-278-5303

AVG. RESOLUTION TIME (*within office hrs*): **5M 4S**



Chat Us:
www.vivo-us.com

AVG. RESOLUTION TIME (*within office hrs*): **< 15 M**

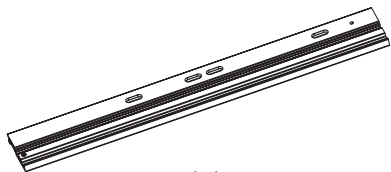


Email Us:
help@vivo-us.com

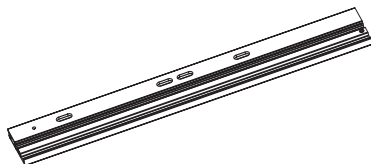
AVG. RESPONSE TIME (*within office hrs*): **1HR 8M**

- 23% within < 15m
- 38% within < 30m
- 61% within < 1hr
- 83% within < 2hr
- 92% within < 3hr

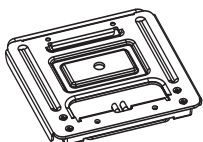
Package Contents



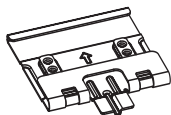
A (x1)
Right Wall Bracket



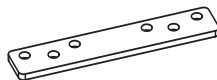
B (x1)
Left Wall Bracket



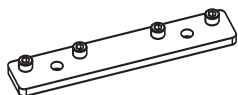
C (x2)
VESA Bracket



D (x2)
Mounting Bracket



E (x1)
Front Connector



F (x1)
Back Connector



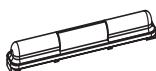
G (x2)
Kickstand



H (x1)
Left Cover



I (x1)
Right Cover



J (x1)
Level



K (x4)
Large Pad



L (x4)
Small Pad

Included Hardware & Tools



S-A (x2)
M5x5mm Screw



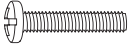
T-A (x1)
3mm Allen
Wrench



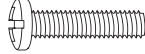
M-A (x4)
M6x14mm Screw



M-B (x4)
M8x16mm Screw



M-C (x4)
M6x30mm Screw



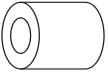
M-D (x4)
M8x35mm Screw



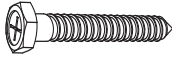
M-E (x4)
M8 Washer



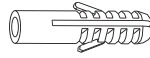
M-F (x4)
Small Spacer



M-G (x4)
Large Spacer



W-A (x4)
ST6.3x55mm Screw



W-B (x4)
Concrete Anchor



W-C (x4)
M6 Washer

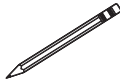
Tools Needed:



**Phillips
Screwdriver**



**Stud
Finder**



Pencil



Drill



**10mm Socket
Wrench**



**3/16" (4.5mm)
Drill Bit**
Wood Stud
Mounting

OR



**3/8" (10mm)
Drill Bit**
Concrete/Brick
Mounting



**Tape
Measurer**

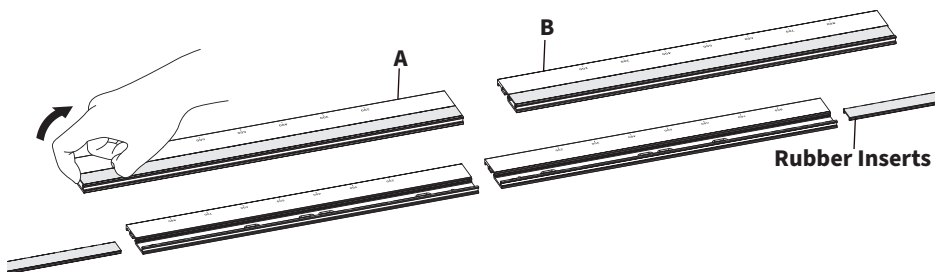
Weight Capacity:



ASSEMBLY STEPS

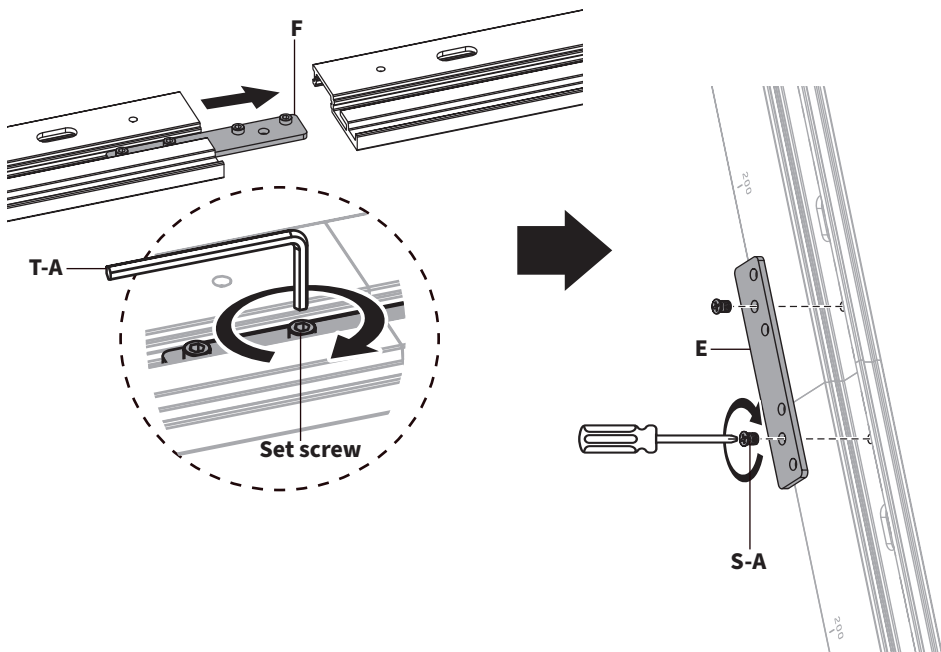
STEP 1

Remove the **Rubber inserts** from Wall Brackets (**A,B**) and set aside.



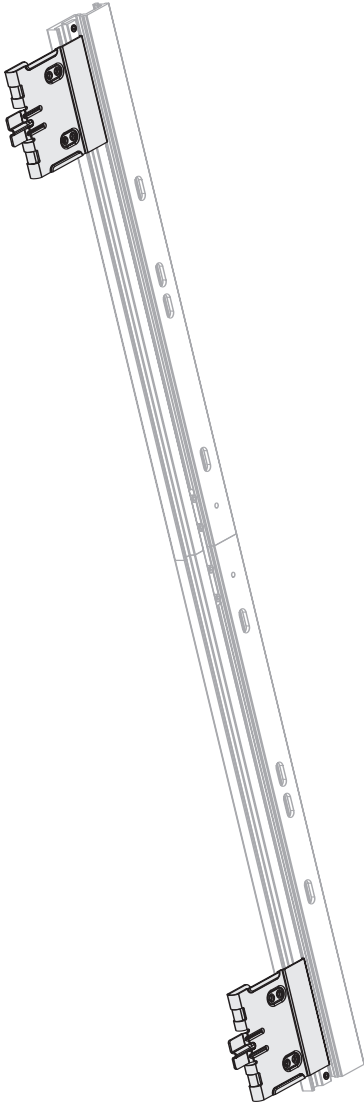
Insert Back Connector (**F**) into track of one Wall Bracket, and slide both Wall Brackets Together. Secure by tightening the **Set screw** on the Back Connector with 3mm Allen Wrench (**T-A**).

Install the Front Connector (**E**) to front of Wall Brackets using M5x5mm Screws (**S-A**) and a Phillips screwdriver to secure.

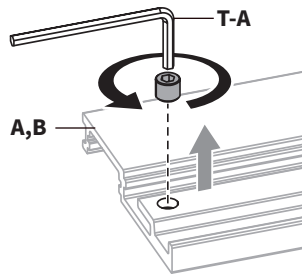


STEP 2

Follow substeps below to install Mounting Brackets.

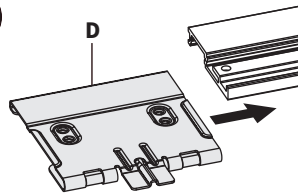


2.1



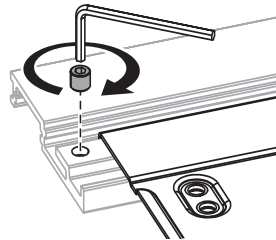
Remove pre-installed screws on Wall Brackets (A,B) using 3mm Allen Wrench (T-A).

2.2



Slide Mounting Brackets (D) onto Wall Brackets as shown.

2.3

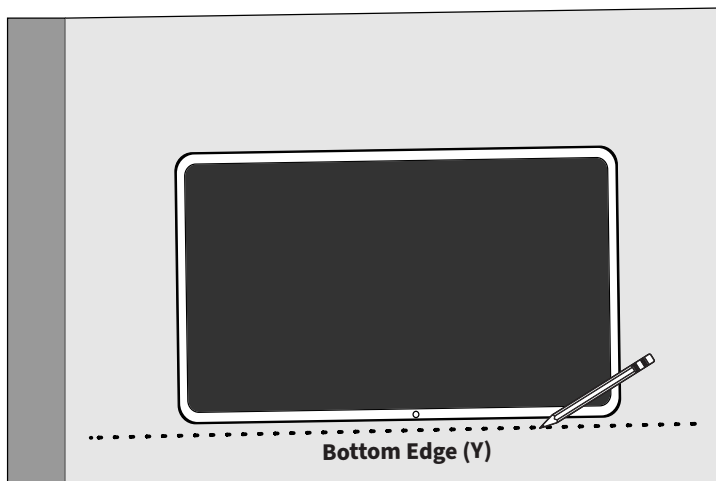


Reinstall previously removed screws using 3mm Allen Wrench.

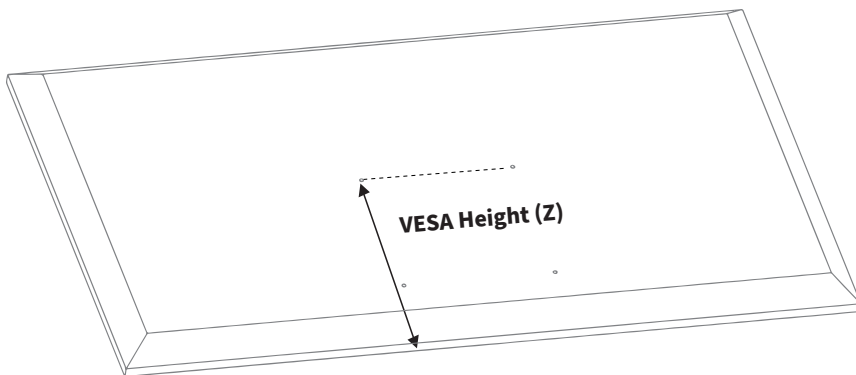
**** PLEASE READ ****

Determining Mounting Positioning

1. Mark Ideal TV Position: On your wall, mark the spot where the **Bottom Edge (Y)** of your TV should be based on your desired display height.



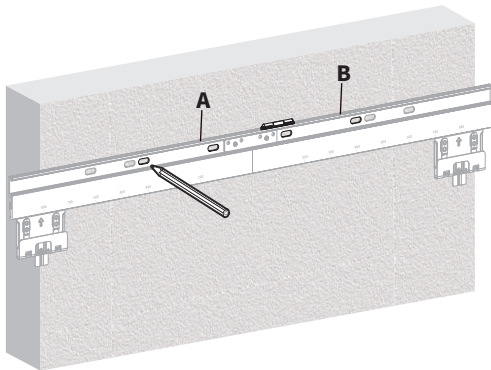
2. VESA Height (Z): Find the distance between the bottom of your TV and the top VESA mounting hole on the back. Note measurement in space provided below.



3. Calculate Mounting Position: Use the formula below to determine the mounting height of your TV from your desired height marking.

$$\begin{array}{|c|} \hline \text{VESA Height (Z):} \\ \hline \end{array} + 6 \frac{3}{8}'' \text{ (162mm)} = \begin{array}{|c|} \hline \text{Mounting Height} \\ \text{from Bottom TV Position:} \\ \hline \end{array}$$

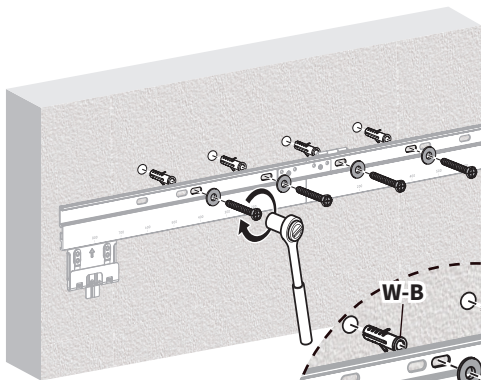
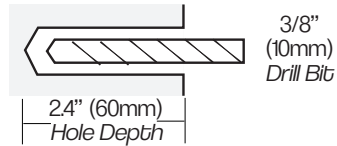
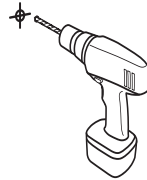
Mounting Option 1: Concrete/Brick Mounting



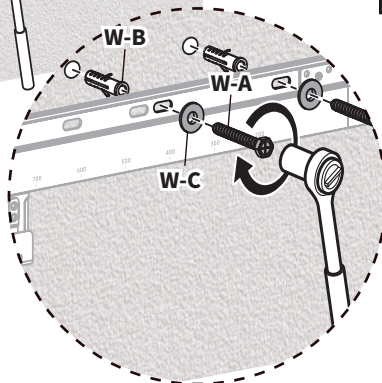
Use Wall Brackets (**A,B**) to mark desired drilling locations on the wall. Use of a Level (**J**) is recommended.

Pre-Drilling Instructions

Drill mounting holes using illustration below.



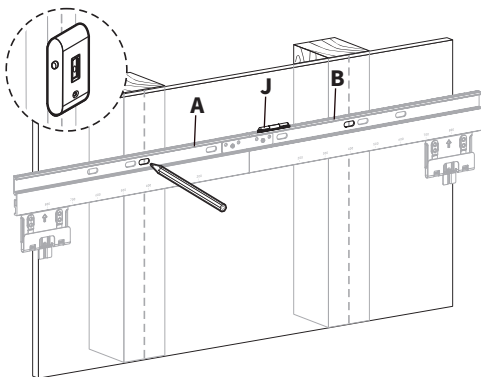
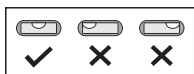
Press Concrete Anchors (**W-B**) into the drilled holes. Secure Wall Bracket (**A**) to wall using ST6.3x55 Screws (**W-A**) with M6 Washers (**W-C**) and a 10mm socket wrench.



Proceed to **STEP 4**
on **Page 10**

STEP 3 - Con't

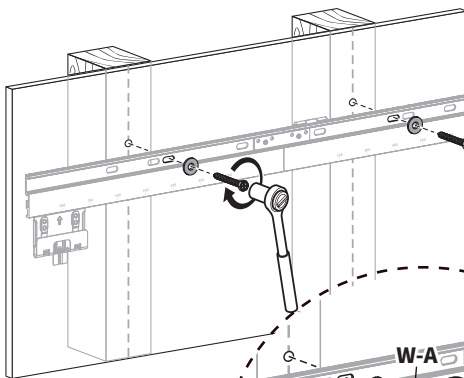
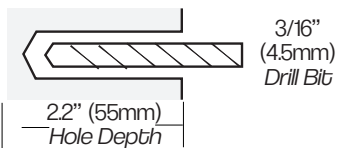
Mounting Option 2: Wood Stud Mounting



Use Wall Brackets (**A,B**) to mark drilling locations on the wall where a stud is located. Use of a Level (**J**) and stud finder is recommended.

Pre-Drilling Instructions

Drill mounting holes using illustration below.

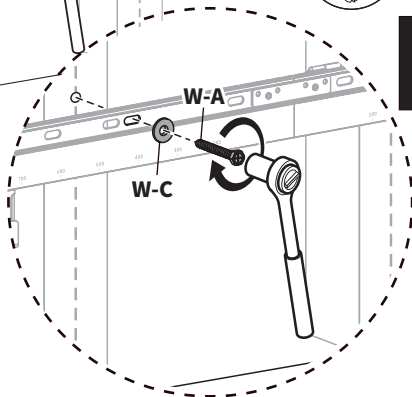


Secure Wall Bracket to wall using ST6.3x55 Screws (**W-A**) with M6 Washers (**W-C**) and a 10mm socket wrench.



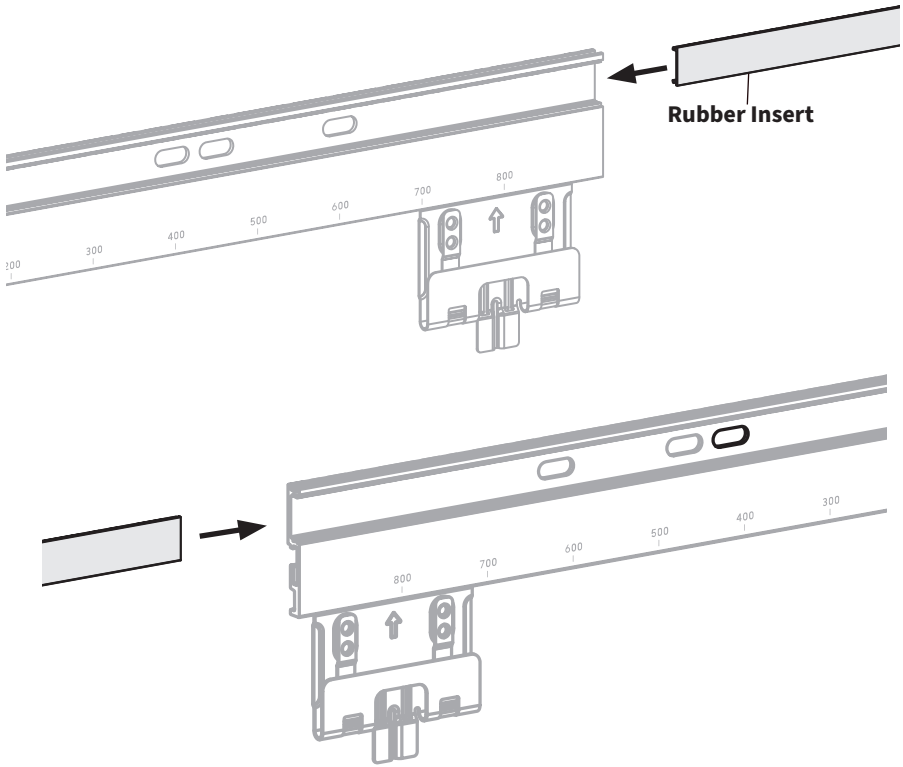
Do NOT use included Anchors (**W-B**) for wood or drywall.

Proceed to **STEP 4**
on **Page 10**

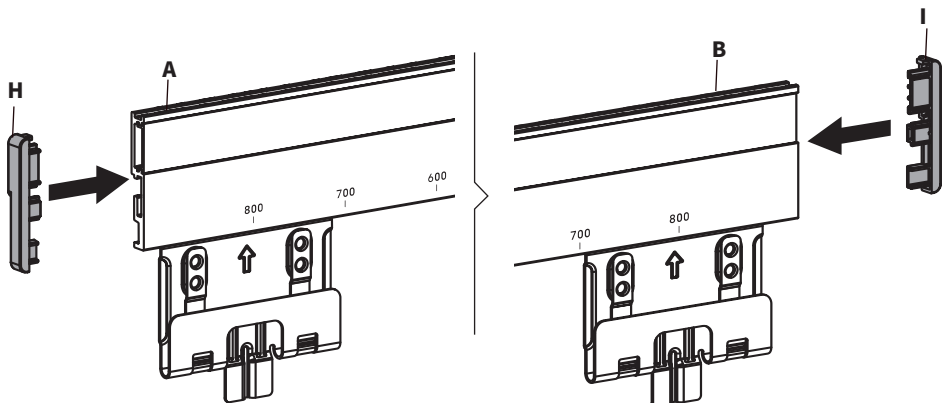


STEP 4

Re-insert previously removed **Rubber inserts** into slots on Wall Brackets.

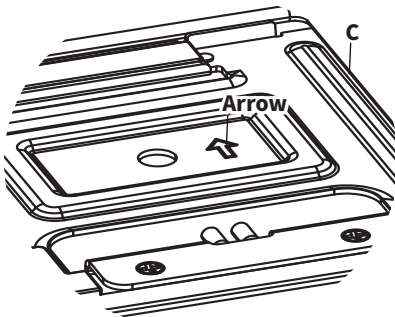
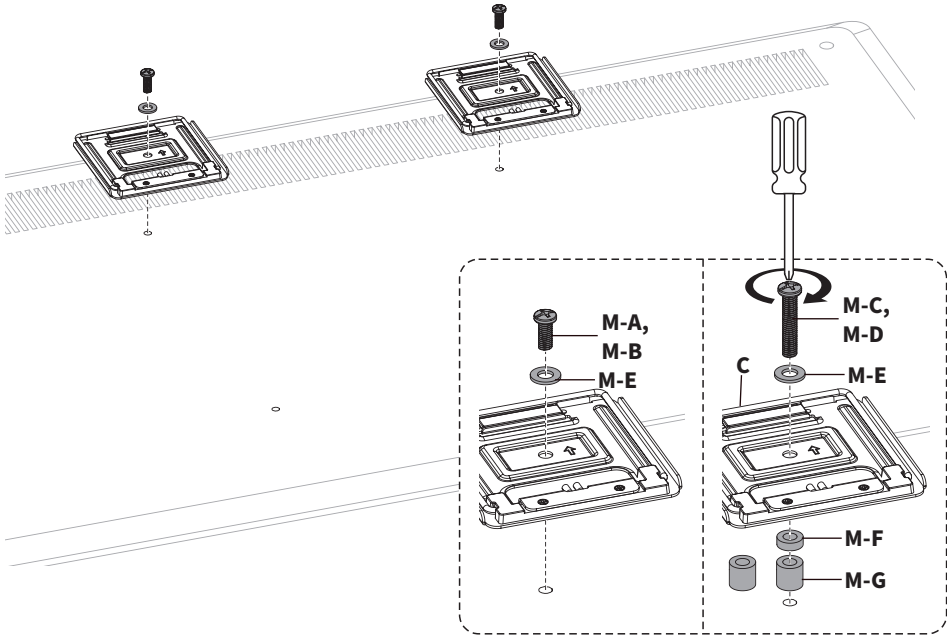
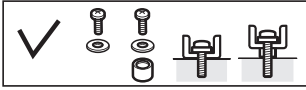
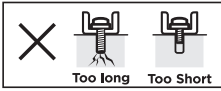


Press Covers **(H,I)** into the sides of Wall Brackets **(A,B)**.



STEP 5

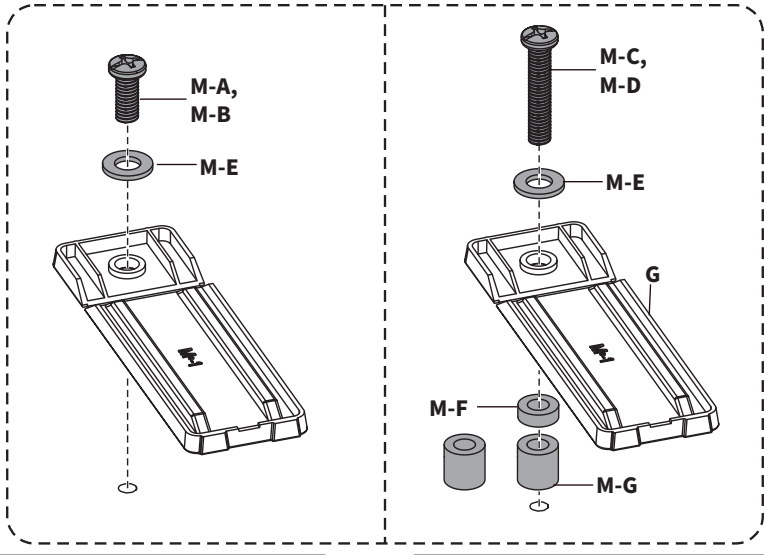
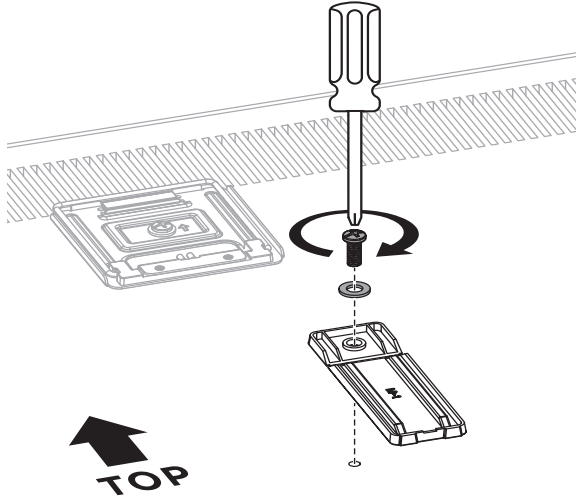
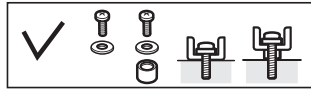
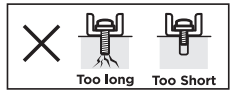
Secure VESA Brackets (C) to the top two mounting holes on your TV using appropriate Screws (M-A through M-D), Washers (M-E), and Spacers (M-F, M-G).



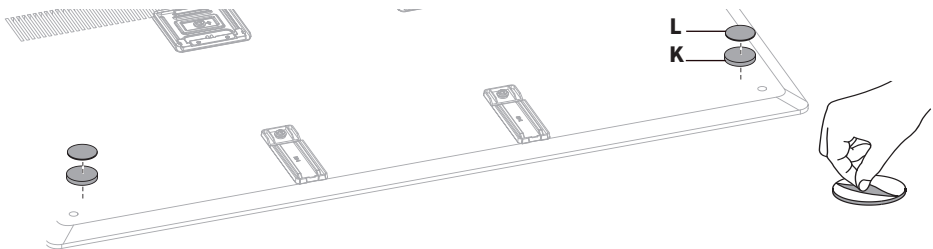
Ensure **Arrows** on VESA Brackets (C) are pointing upwards.

STEP 6

Secure Kickstands (**G**) to the bottom two mounting holes on your TV using appropriate Screws (**M-A through M-D**), Washers (**M-E**), and Spacers (**M-F,M-G**).

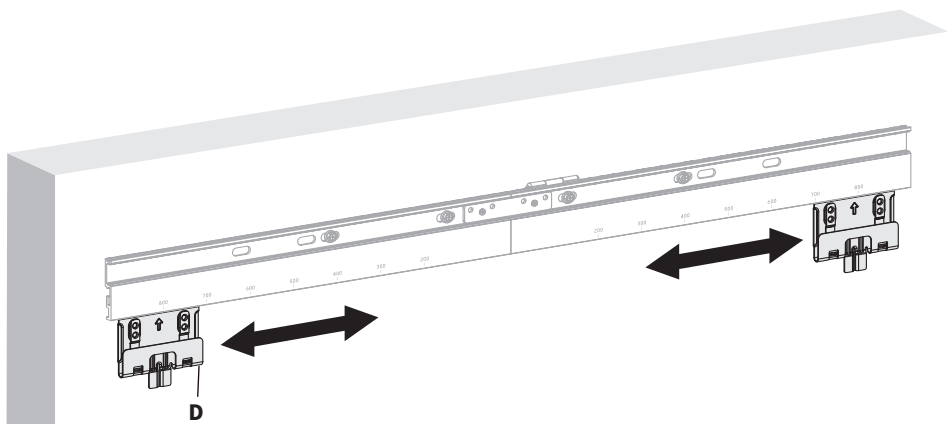


Remove adhesive backing from Pads (**K,L**) and apply them to the bottom corners of your TV to fill space between wall and TV.

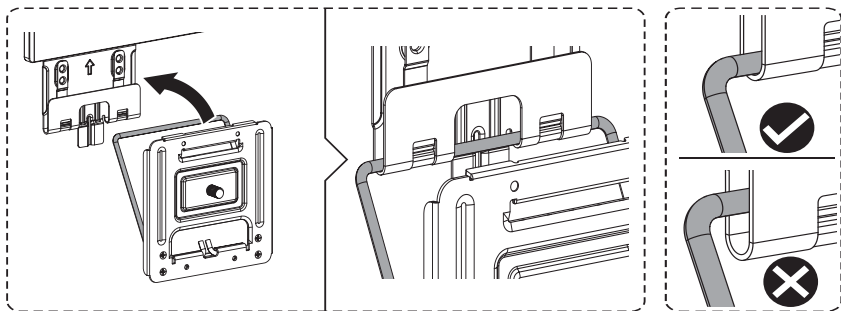
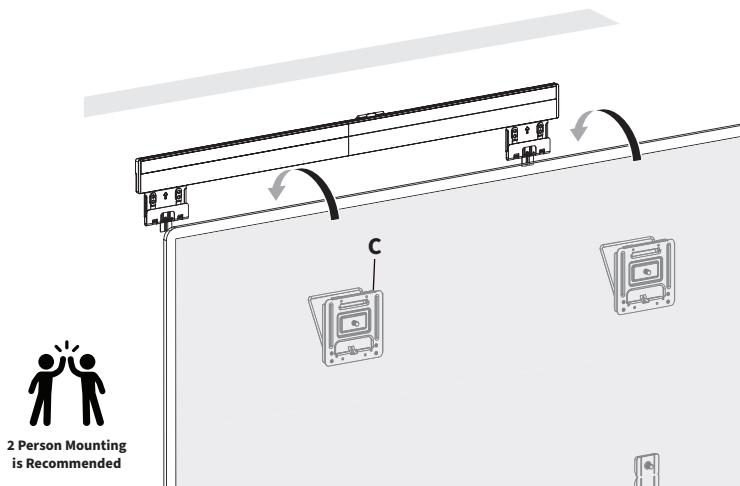


STEP 7

Slide the Mounting Brackets **(D)** to match the positions of the VESA Brackets **(C)** on TV.

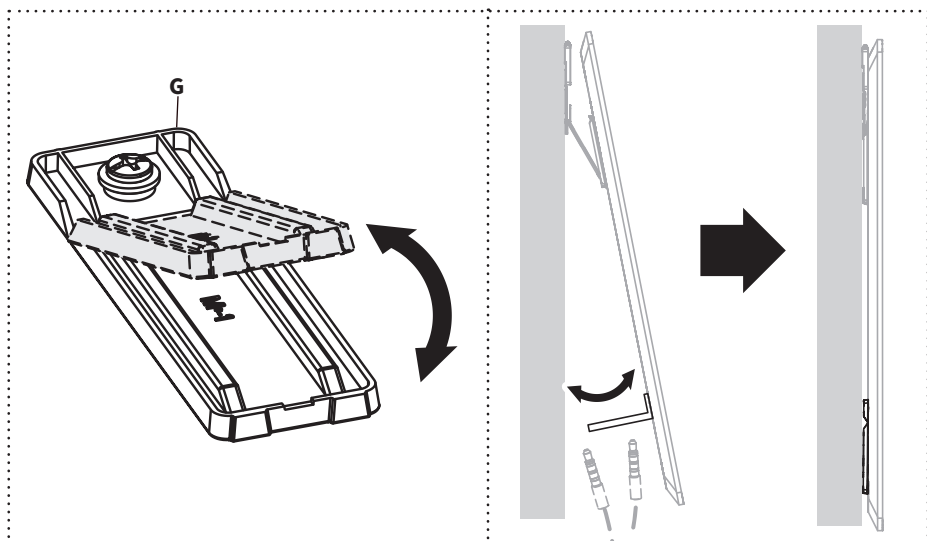
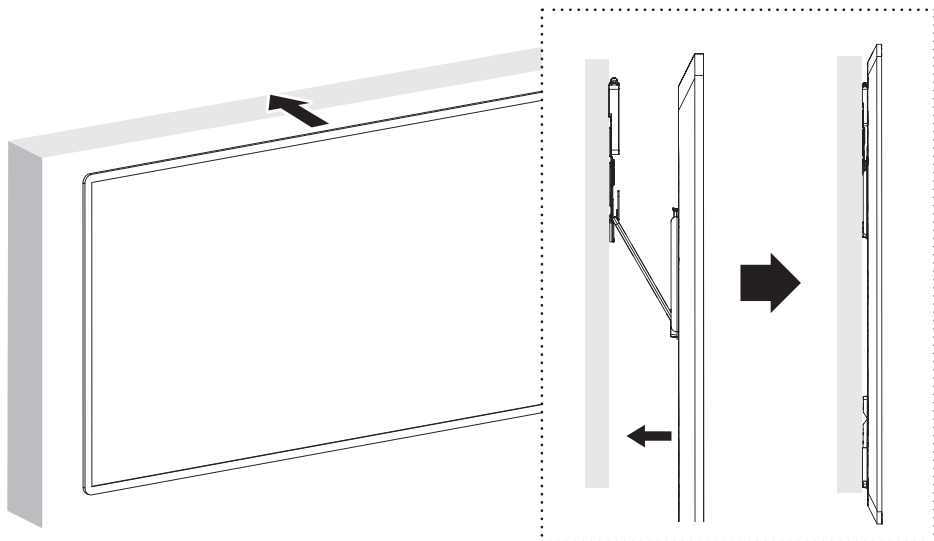


Hang your TV onto the Mounting Brackets as shown.



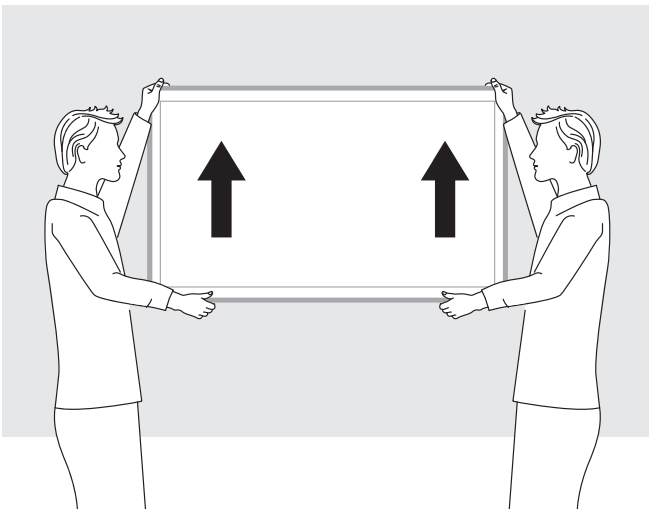
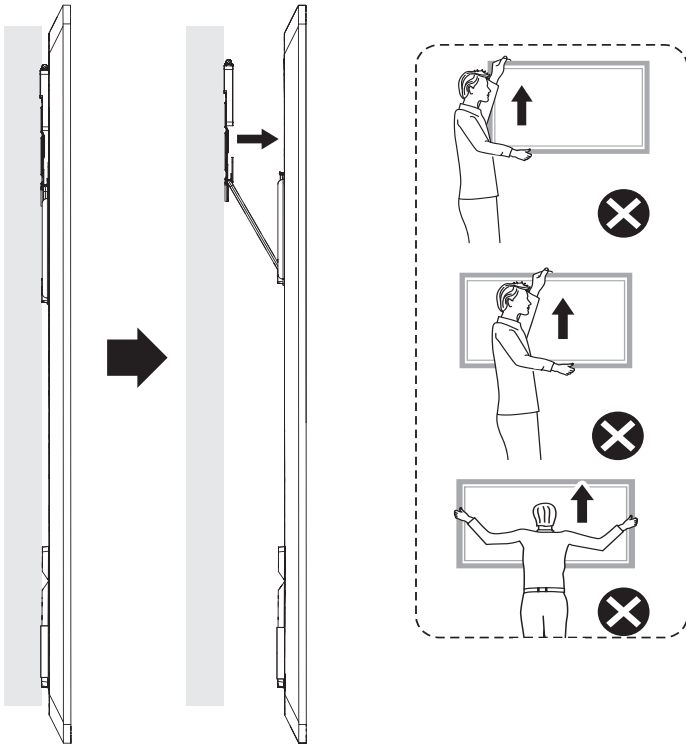
STEP 8

Press the TV against the wall. Prop Kickstand (**G**) to gain access to the back of the TV.



Removing TV from Mount

To remove the TV, fully extend from the wall and lift up.



**2 Person Dismounting
is Recommended**



Need Help? Get In Touch

Monday-Friday from 7:00am-7:00pm CST



help@vivo-us.com



www.vivo-us.com

Chat live with an agent!



309-278-5303



VIVO-us @vivo_us

FOR MORE GREAT VIVO PRODUCTS,
CHECK OUT OUR WEBSITE AT: WWW.VIVO-US.COM