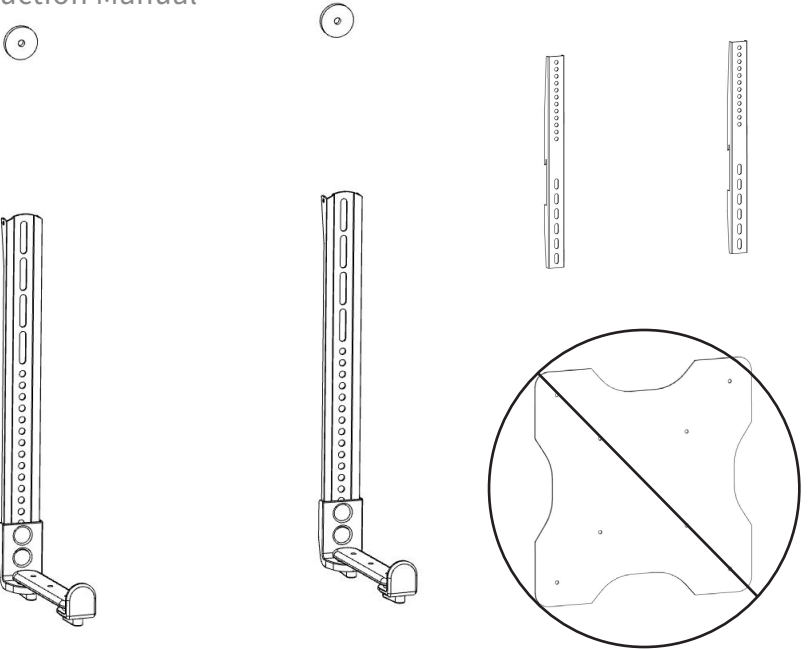


Soundbar Speaker TV Mount

VESA mount type: Vertical Brackets

Instruction Manual



SKU: MOUNT-SPSB5



Scan the QR code with your mobile device or follow the link for helpful videos and specifications related to this product.

<https://vivo-us.com/products/mount-spsb5>

GET IN TOUCH | Monday-Friday from 7:00am-7:00pm CST



help@vivo-us.com



www.vivo-us.com
Chat live with an agent!



309-278-5303

⚠ WARNING!

If you do not understand these directions, or if you have any doubts about the safety of the installation, please call a qualified technician. Check carefully to make sure there are no missing or defective parts. Improper installation may cause damage or serious injury. Do not use this product for any purpose that is not explicitly specified in this manual. Do not exceed weight capacity. We cannot be liable for damage or injury caused by improper mounting, incorrect assembly or inappropriate use.

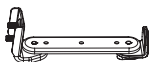
⚠ WARNING: CHOKING HAZARD

SMALL PARTS - NOT FOR CHILDREN UNDER 3 YEARS. ADULT SUPERVISION IS REQUIRED.

PACKAGE CONTENTS



A (x2)
VESA Bracket



B (x2)
Support Arm



S-A (x4)
M8 Flange Nut



S-B (x2)
40x6mm Pad



S-C (x4)
5mm Spacer



S-D (x4)
M6x10 Screw



M-A (x4)
M5x16



M-B (x4)
M6x16



M-C (x4)
M5x25



M-D (x4)
M6x25



M-E (x4)
M6x40



M-F (x4)
M8x40



M-G (x4)
M8x60



M-H (x4)
D5 Washer



M-I (x8)
5mm Spacer



M-J (x8)
15mm Spacer



T-A (x1)
Wrench

TOOLS NEEDED



DO NOT EXCEED WEIGHT CAPACITY.

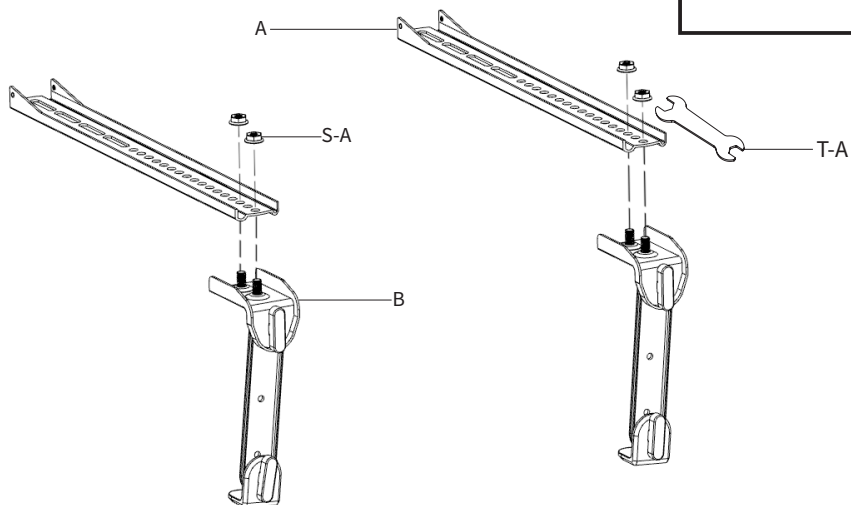
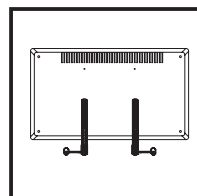
Failure to do so may result in serious injury.

ASSEMBLY STEPS

STEP 1

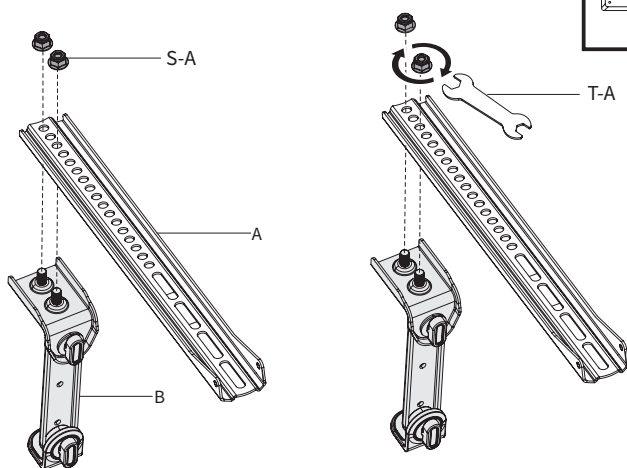
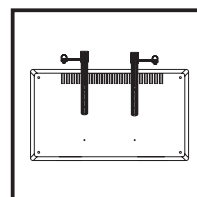
OPTION A: Under TV

Mount the Support Arms (B) to the first and third holes of the VESA Brackets (A) using the M8 Flange Nuts (S-A). Tighten with the Wrench (T-A).



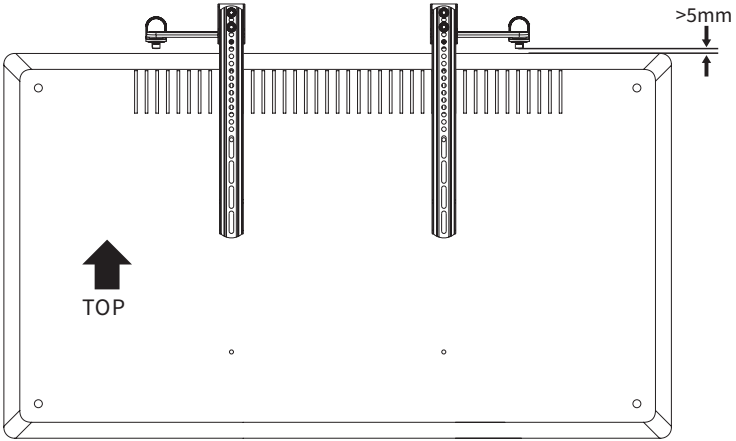
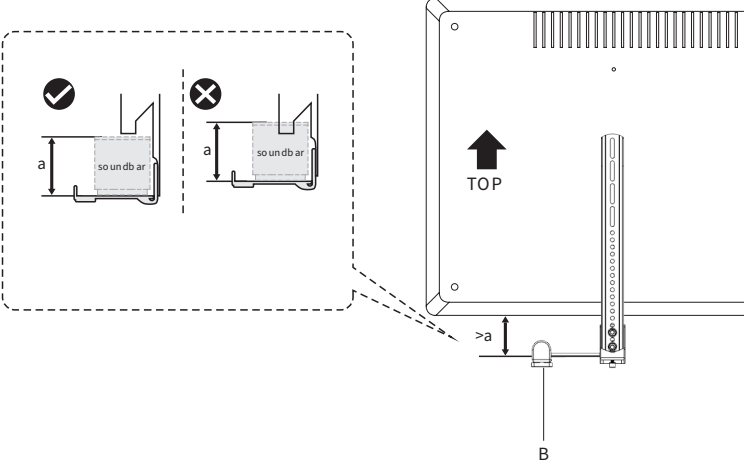
OPTION B: Over TV

Mount the Support Arms (B) to the first and third holes of the VESA Brackets (A) using the M8 Flange Nuts (S-A). Tighten with the Wrench (T-A).



STEP 2

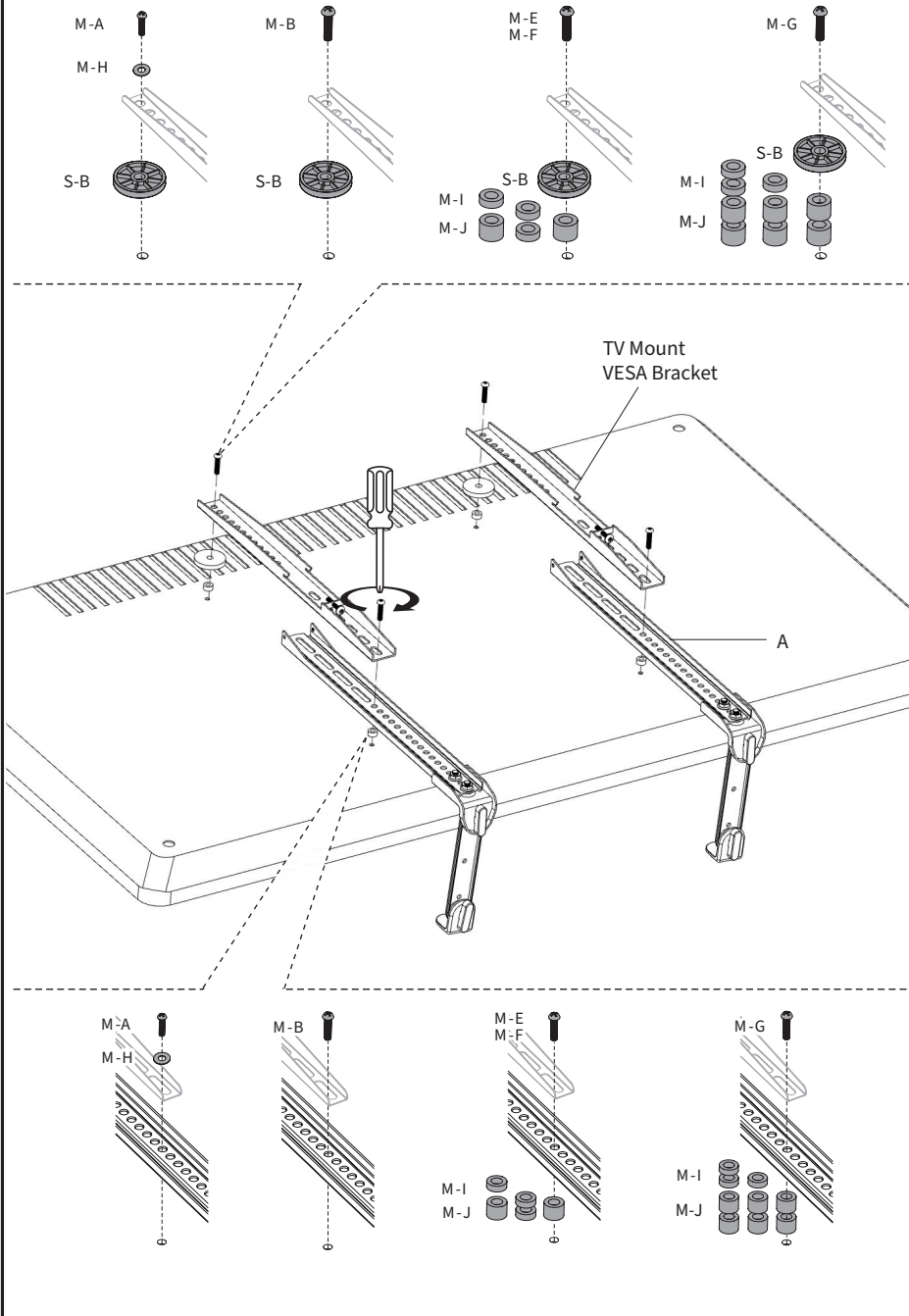
Determine the correct mounting height for the assembled brackets. **For under TV mounting**, ensure the distance between the Support Arms (**B**) is equal to or greater than the height of the soundbar to be installed. **For over TV mounting**, ensure the space between the support arm knobs is at least 5mm (0.2") above the top edge of the TV.



STEP 2 (Continued)

OPTION A: Under TV

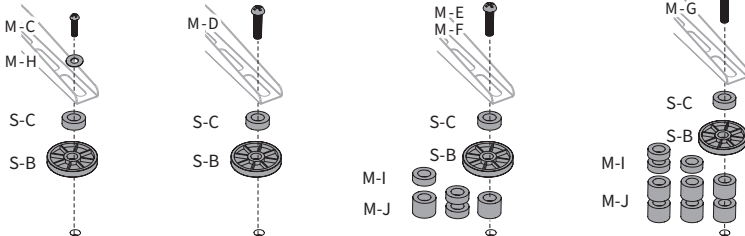
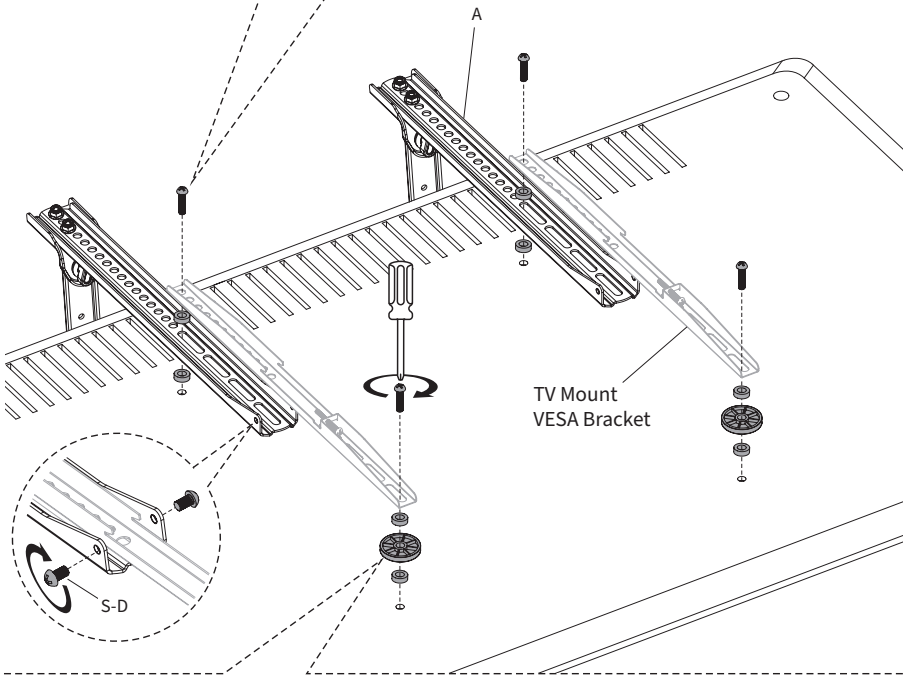
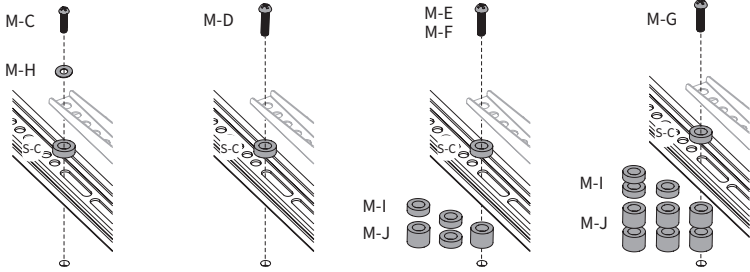
Install the VESA Brackets (A) and 40x6mm Pads (S-B) on the back of the TV with VESA brackets from the TV mount, and secure using Screws (M-A through M-G) of the correct size for your TV. Use D5 Washers (M-H), and Spacers (M-I, M-J) if needed.



STEP 2 (Continued)

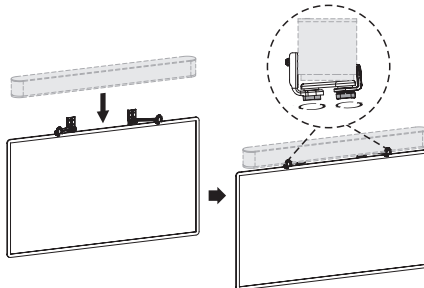
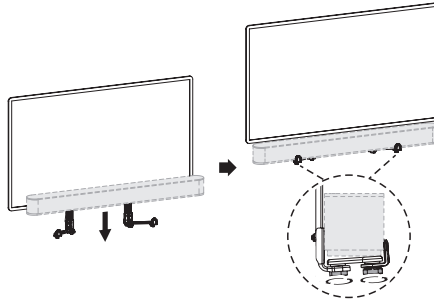
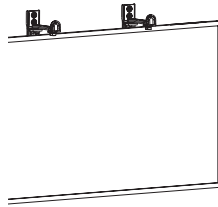
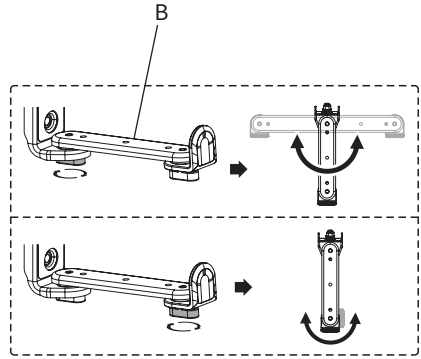
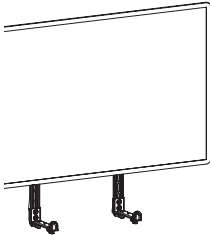
OPTION B: Over TV

Install the VESA Brackets (A) and 40x6mm Pads (S-B) on the back of the TV with VESA brackets from the TV mount, and secure using Screws (M-A through M-G) of the correct size for your TV. Use D5 Washers (M-H) and Spacers (S-C, M-I, M-J) if needed. Install M6x10 Screws (S-D) to the sides of the VESA Brackets (A).




STEP 3

Loosen the knobs on the Support Arms (**B**). Place the soundbar on the support arms, adjust the angle of the support arms to secure the soundbar, then retighten the knobs.





Open **Monday - Friday 7:00am - 7:00pm** CST,
our dedicated support team can offer immediate assistance with rapid response times. If any parts are received damaged or defective, please contact us. We are happy to replace parts to ensure you have a fully functioning product.

 309-278-5303

AVG. RESOLUTION TIME (*within office hrs*): **5M 4S**

 www.vivo-us.com
Chat live with an agent!

AVG. RESOLUTION TIME (*within office hrs*): **< 15 M**

 help@vivo-us.com

AVG. RESPONSE TIME (*within office hrs*): **1HR 8M**

- 23% within < 15m
- 38% within < 30m
- 61% within < 1hr
- 83% within < 2hr
- 92% within < 3hr