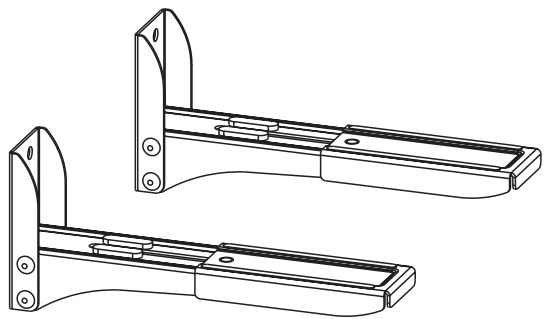


Universal Soundbar Speaker Wall Mount Instruction Manual



SKU: MOUNT-SPSB4



Scan the QR code with your mobile device or follow the link for helpful videos and specifications related to this product.

<https://vivo-us.com/products/mount-spsb4>

GET IN TOUCH | Monday-Friday from 7:00am-7:00pm CST



help@vivo-us.com



www.vivo-us.com
Chat live with an agent!



309-278-5303

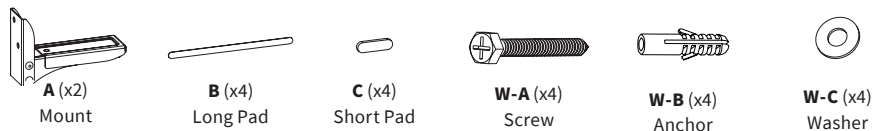
⚠ WARNING!

If you do not understand these directions, or if you have any doubts about the safety of the installation, please call a qualified technician. Check carefully to make sure there are no missing or defective parts. Improper installation may cause damage or serious injury. Do not use this product for any purpose that is not explicitly specified in this manual. Do not exceed weight capacity. We cannot be liable for damage or injury caused by improper mounting, incorrect assembly or inappropriate use.

⚠ WARNING: CHOKING HAZARD

SMALL PARTS - NOT FOR CHILDREN UNDER 3 YEARS. ADULT SUPERVISION IS REQUIRED.

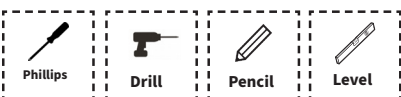
PACKAGE CONTENTS



⚠ CAUTION!

DO NOT INSTALL INTO DRYWALL ALONE. VERIFY YOUR WALL CONSTRUCTION. USE WOOD STUDS TO MOUNT. We include mounting hardware for brick and concrete walls. If unsure, please contact us at vivo-us.com, email at help@vivo-us.com, or call us at 309-278-5303.

TOOLS NEEDED

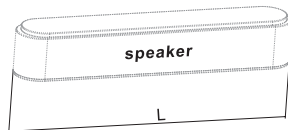


DO NOT EXCEED WEIGHT CAPACITY. Failure to do so may result in serious injury.

ASSEMBLY STEPS

STEP 1

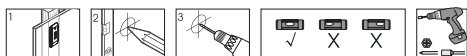
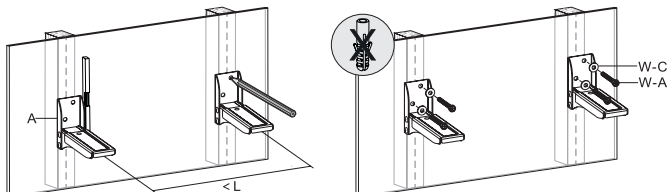
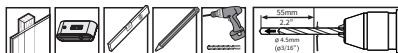
Measure the length of your speaker for proper installation of the mounts to the wall.



STEP 2a

OPTION A: Wood Stud Wall

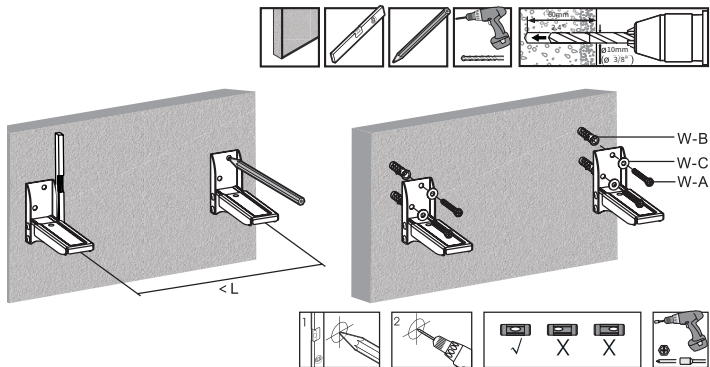
Use mounts (A) to mark drilling locations on wall where studs are located, making sure spacing of the mounts does not exceed the length of the speaker. Use of a stud finder is highly recommended. Drill 2.2" (55mm) deep holes using a 3/16" (4.5 mm) drill bit. Attach mounts to wall using screws (W-A) with washers (W-C).



STEP 2b

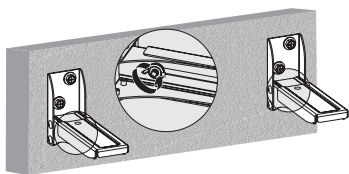
OPTION B: Brick/Concrete Wall

Use mounts (A) to mark drilling locations on wall, making sure spacing of the mounts does not exceed the length of the speaker. Drill 2.4" (60mm) deep holes using a 3/8" (10mm) drill bit and press anchors (W-B) into holes. Attach mounts to wall using screws (W-A) with washers (W-C).



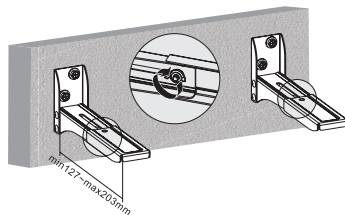
STEP 3-1

Loosen the wingnut on the bottom of each mount.



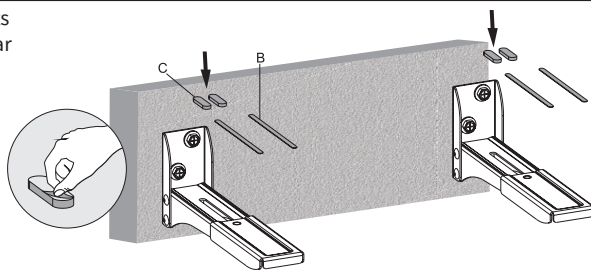
STEP 3-2

Adjust length of mounts to properly support speaker, then tighten the wingnuts.



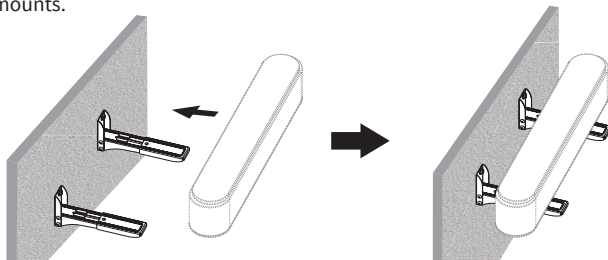
STEP 4

Apply long pads (B) to front brackets of mounts, and short pads (C) to rear brackets of mounts.



STEP 5

Place speaker on mounts.





Open **Monday - Friday 7:00am - 7:00pm** CST,
our dedicated support team can offer immediate assistance with rapid response times. If any parts are received damaged or defective, please contact us. We are happy to replace parts to ensure you have a fully functioning product.



309-278-5303

AVG. RESOLUTION TIME (*within office hrs*): **5M 4S**



www.vivo-us.com

Chat live with an agent!

AVG. RESOLUTION TIME (*within office hrs*): **< 15 M**



help@vivo-us.com

AVG. RESPONSE TIME (*within office hrs*): **1HR 8M**

- 23% within < 15m
- 38% within < 30m
- 61% within < 1hr
- 83% within < 2hr
- 92% within < 3hr