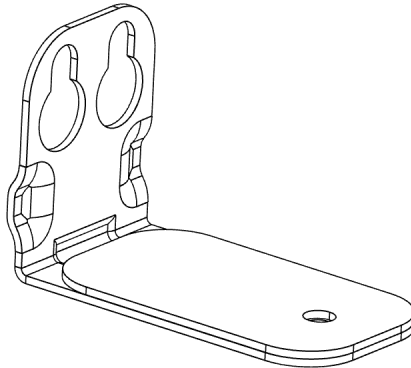




---

## Universal Soundbar Wall Mount

### Instruction Manual



**SKU: MOUNT-SPSB1**



Scan the QR code with your mobile device or follow the link for helpful videos and specifications related to this product.

**<https://vivo-us.com/products/mount-spsb1>**

---

GET IN TOUCH | Monday-Friday from 7:00am-7:00pm CST



help@vivo-us.com



www.vivo-us.com  
*Chat live with an agent!*



309-278-5303

**! WARNING!**

If you do not understand these directions, or if you have any doubts about the safety of the installation, please call a qualified technician. Check carefully to make sure there are no missing or defective parts. Improper installation may cause damage or serious injury. Do not use this product for any purpose that is not explicitly specified in this manual. Do not exceed weight capacity. We cannot be liable for damage or injury caused by improper mounting, incorrect assembly or inappropriate use.

**! WARNING: CHOKING HAZARD**

SMALL PARTS - NOT FOR CHILDREN UNDER 3 YEARS. ADULT SUPERVISION IS REQUIRED.

**PACKAGE CONTENTS**



**A (x2)**  
Bracket



**B (x1)**  
Sonos Drill  
Template



**C (x4)**  
Support  
Bushing



**D (x2)**  
M5x10mm



**E (x2)**  
M5 Washer



**F (x4)**  
ST5x40mm  
Screw



**G (x4)**  
Anchor



**H (x2)**  
ST5x50mm Screw

**TOOLS NEEDED**

**NOTE:** SOME HARDWARE INCLUDED MAY NOT BE USED



**Drill**



**Phillips  
Screwdriver**



**Level**



**Studfinder**



**Pencil**



**Low Tack  
Tape**

**DO NOT EXCEED WEIGHT CAPACITY.**

Failure to do so may result in serious injury.



# ASSEMBLY STEPS

## STEP 1

Determine desired location of soundbar on wall. Use of a stud finder is recommended to determine if either bracket can be mounted into a wood stud or not. Then proceed to Options A or B below.

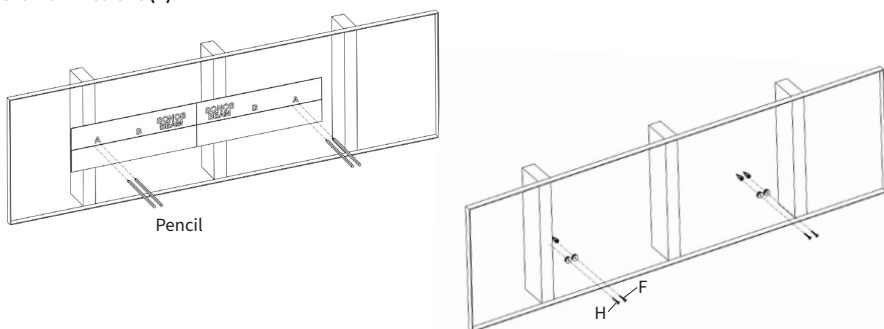
**Note:** If you own a Sonos Beam soundbar, please use hole pattern marked “SONOS BEAM” on drill template (B). For all other soundbars you may choose which hole pattern to use from drill template.

### OPTION A: Wood Stud Installation

Tape drill template (B) to wall lining up chosen hole pattern, “A”, “B”, or “SONOS BEAM”, with desired studs. Make sure template is level. Mark all four drilling locations for chosen hole pattern using a pencil or screw and remove from wall. For all drilling locations that line up with a stud, drill 2-1/8” (54mm) deep holes using a 3/32” (2.5mm) bit and mount support bushings (C) to wall using ST5x50mm screws (H). For all drilling locations that do not line up with a stud, refer to Option B below for drywall instructions.

### OPTION B: Drywall/Concrete Installation

Tape drill template (B) to wall making sure template is level. Mark all four drilling locations for hole pattern “A”, “B”, or “SONOS BEAM” shown on template using a pencil or screw and remove from wall. Drill 1-5/8” (41mm) deep holes using a 5/16” (8mm) bit, insert anchors (G) into holes, then mount support bushings (C) to the wall using ST5x40mm screws (F).



## STEP 2

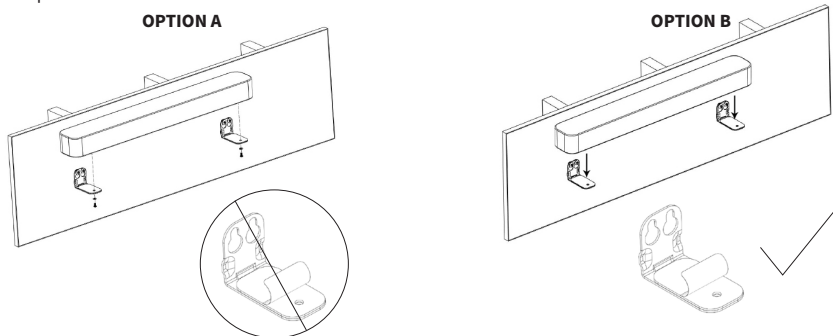
**Note:** It is recommended to connect all peripheral cables before mounting soundbar to brackets (A).

### OPTION A: Sonos Beam Soundbar

If you own a Sonos Beam soundbar, removal of adhesive protection film from brackets (A) is not recommended for installation. Place brackets (A) over the support bushings (C) and gently lower to secure. Install brackets (A) to Sonos Beam using M5x10mm screws (D) with M5 washers (E).

### OPTION B: All Other Soundbars

Peel off adhesive protection film from brackets (A) and install brackets onto support bushings (C). Carefully center soundbar over the brackets and gently lower soundbar onto the brackets ensuring good contact with the adhesive pads.





Open **Monday - Friday 7:00am - 7:00pm** CST,  
our dedicated support team can offer immediate assistance with rapid response times. If any parts are received damaged or defective, please contact us. We are happy to replace parts to ensure you have a fully functioning product.


 [help@vivo-us.com](mailto:help@vivo-us.com)

**AVG. RESPONSE TIME** (*within office hrs*): **1HR 8M**

- 23% within < 15m
- 38% within < 30m
- 61% within < 1hr
- 83% within < 2hr
- 92% within < 3hr

 [www.vivo-us.com](http://www.vivo-us.com)  
*Chat live with an agent!*

**AVG. RESOLUTION TIME** (*within office hrs*): **< 15 M**

 309-278-5303

**AVG. RESOLUTION TIME** (*within office hrs*): **5M 4S**