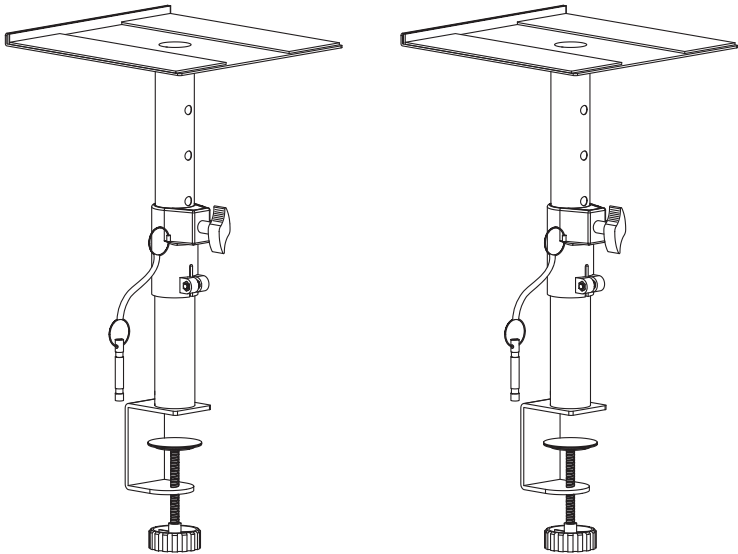




---

## Clamp-on Speaker Stand - 2 Pack

### Instruction Manual



**SKU: MOUNT-SP01CB/CW**



Scan the QR code with your mobile device or follow the link for helpful videos and specifications related to this product.

<https://vivo-us.com/products/mount-sp01cb>

---

GET IN TOUCH | Monday-Friday from 7:00am-7:00pm CST



help@vivo-us.com



www.vivo-us.com  
*Chat live with an agent!*



309-278-5303

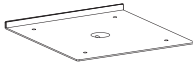
# **WARNING!**

If you do not understand these directions, or if you have any doubts about the safety of the installation, please contact our product support team at 309-278-5303 or help@vivo-us.com for further assistance. Check carefully to make sure there are no missing or defective parts. Improper installation may cause damage or serious injury. Do not use this product for any purpose that is not explicitly specified in this manual. Do not exceed weight capacity. We cannot be liable for damage or injury caused by improper mounting, incorrect assembly or inappropriate use.

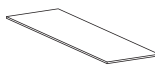
## PACKAGE CONTENTS



**A (x2)**  
Mount



**B (x2)**  
Speaker Plate



**C (x4)**  
Soft Pad



**S-A (x2)**  
M8x25mm Screw



**S-B (x2)**  
M8 Spacer



**S-C (x2)**  
Conical Washer



**T-A (x1)**  
5mm Allen Wrench

**DO NOT EXCEED WEIGHT CAPACITY.**

Failure to do so may result in serious injury.



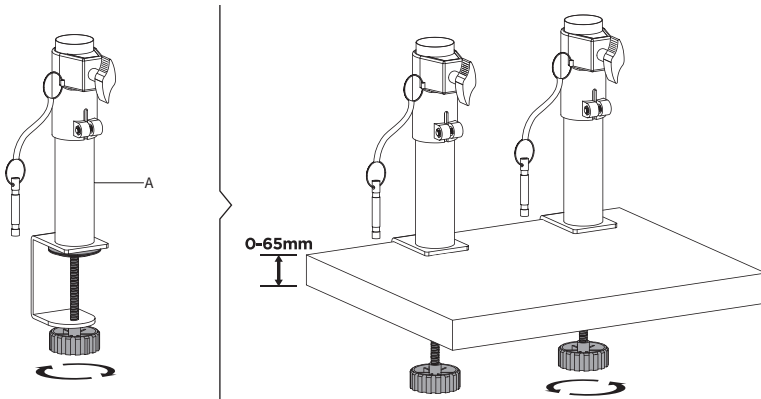
## **WARNING: CHOKING HAZARD**

SMALL PARTS - NOT FOR CHILDREN UNDER 3 YEARS. ADULT SUPERVISION IS REQUIRED.

## ASSEMBLY STEPS

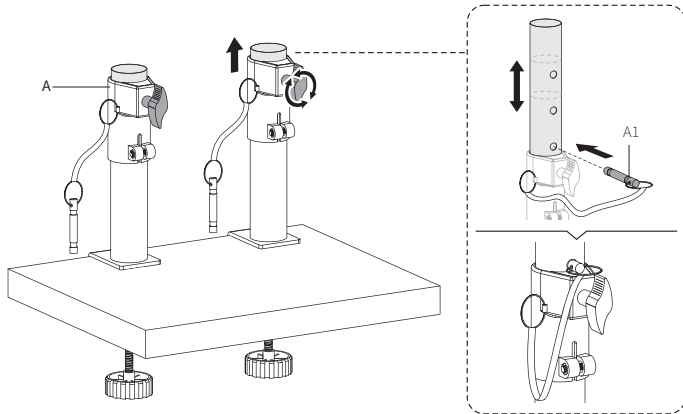
### STEP 1

Loosen the clamp on Mounts **(A)** and assemble them to the desktop by re-tightening the clamps.



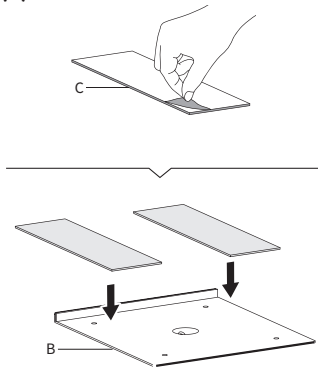
## STEP 2

Loosen the knobs on the front of Mounts **(A)** to adjust the height. Insert the Safety Pin **(A1)** into the holes located on the shaft, and re-tighten the knob to lock the position.



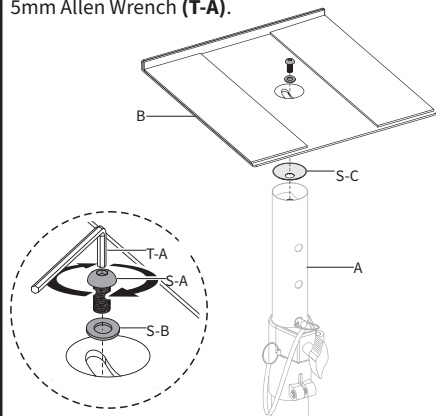
## STEP 3

Remove the adhesive backing from Soft Pads **(C)** and stick them to the top surface of Speaker Plates **(B)**.



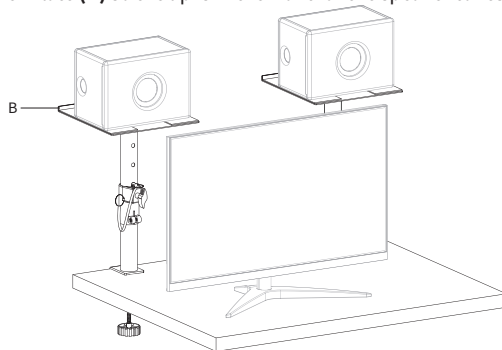
## STEP 4

Assemble Speaker Plates **(B)** to Mounts **(A)** using M8x25mm Screws **(S-A)** with M8 Spacers **(S-B)** and Conical Washers **(S-C)**. Tighten using 5mm Allen Wrench **(T-A)**.



## STEP 5

Place speakers on top of the assembled stands. Make tilt and height adjustments as necessary. If desired, rotate Speaker Plate **(B)** so the lip is in the front for the speaker to rest on.





Open **Monday - Friday 7:00am - 7:00pm** CST,  
our dedicated support team can offer immediate assistance with rapid response times. If any parts are received damaged or defective, please contact us. We are happy to replace parts to ensure you have a fully functioning product.



309-278-5303

**AVG. RESOLUTION TIME** (*within office hrs*): **5M 4S**

---



[www.vivo-us.com](http://www.vivo-us.com)  
*Chat live with an agent!*

**AVG. RESOLUTION TIME** (*within office hrs*): **< 15 M**

---



[help@vivo-us.com](mailto:help@vivo-us.com)

**AVG. RESPONSE TIME** (*within office hrs*): **1HR 8M**

- 23% within < 15m
- 38% within < 30m
- 61% within < 1hr
- 83% within < 2hr
- 92% within < 3hr