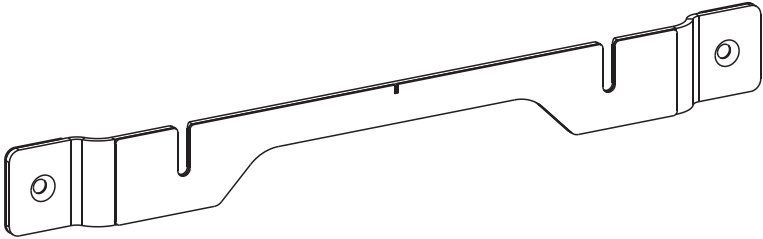


Wall Mount Designed for Sonos Ray Soundbar

Instruction Manual



SKU: MOUNT-SONOS4R



Scan the QR code with your mobile device or follow the link for helpful videos and specifications related to this product.

<https://vivo-us.com/products/mount-sonos4r>

GET IN TOUCH | Monday-Friday from 7:00am-7:00pm CST



help@vivo-us.com



www.vivo-us.com
Chat live with an agent!



309-278-5303

WARNING!

If you do not understand these directions, or if you have any doubts about the safety of the installation, please call a qualified technician. Check carefully to make sure there are no missing or defective parts. Improper installation may cause damage or serious injury. Do not use this product for any purpose that is not explicitly specified in this manual and do not exceed weight capacity. We cannot be liable for damage or injury caused by improper mounting, incorrect assembly, or inappropriate use.

WARNING: CHOKING HAZARD

SMALL PARTS - NOT FOR CHILDREN UNDER 3 YEARS. ADULT SUPERVISION IS REQUIRED.

PACKAGE CONTENTS



A (x1)
Mount



M-A (x2)
M5x10mm
Screw



W-A (x2)
ST4.8x38mm
Screw



W-B (x2)
ST3.5x50mm
Screw



W-C (x2)
Drywall
Anchor



W-D (x2)
Concrete
Anchor



T-A (x1)
Bubble Level

TOOLS NEEDED



Drill



**Phillips
Screwdriver**

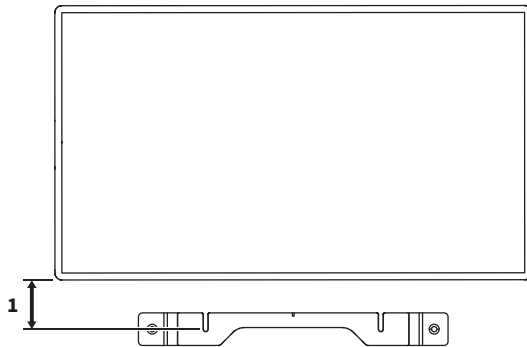
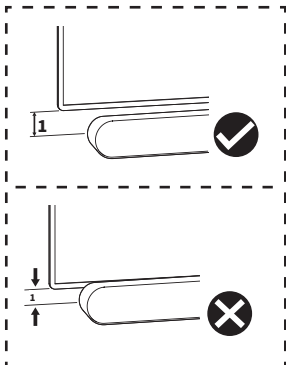


Pencil

PRE-ASSEMBLY

IMPORTANT NOTE:

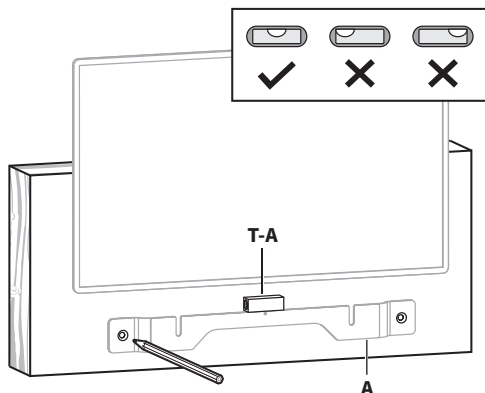
Measure installation height (1) before beginning installation. Ensure that there is at least 3.5" (89mm) available below TV. When mounting the bracket, align the mounting hole locations on the bracket with the bottom of your TV.



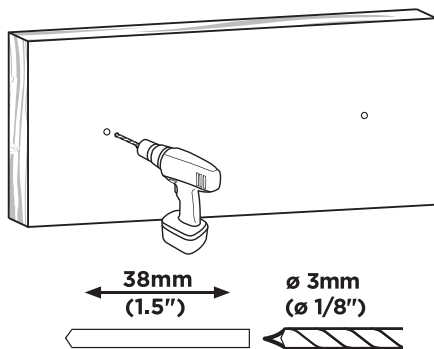
ASSEMBLY STEPS

STEP 1a - Wood Installation

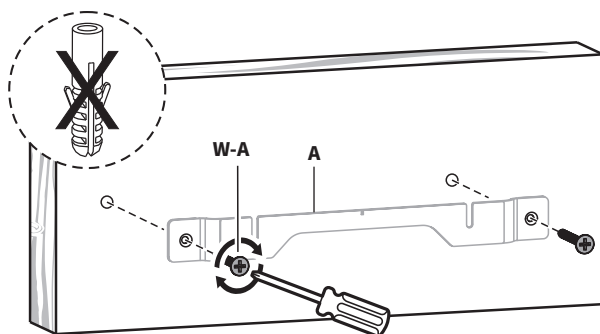
Hold Mount **(A)** up to the wall in your desired mounting location. Using Bubble Level **(T-A)** and a pencil, mark mounting hole locations.



Drill 1.5" (38mm) deep holes using a 3/8" (3mm) drill bit.

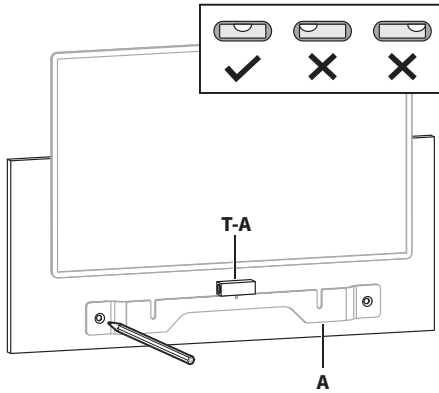


Install Mount **(A)** to the wall using ST4.8x38mm Screws **(W-A)** and a Phillips screwdriver.

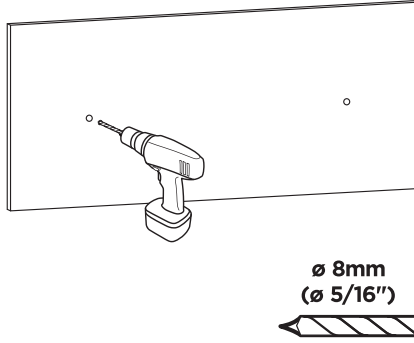


STEP 1b - Drywall Installation

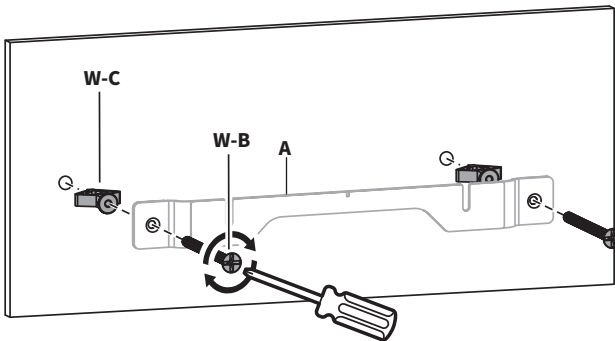
Hold Mount **(A)** up to the wall in your desired mounting location. Using Bubble Level **(T-A)** and a pencil, mark mounting hole locations.



Drill completely through the drywall using a 5/16" (8mm) drill bit.

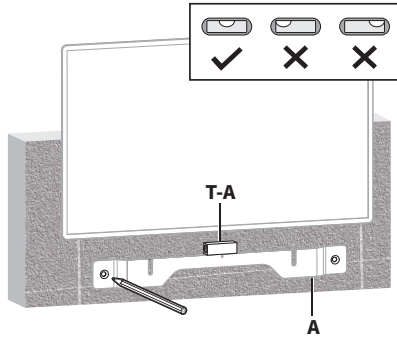


Insert Drywall Anchors **(W-C)** into the drilled holes. Install Mount **(A)** to the wall using ST3.5x50mm Screws **(W-B)** and a Phillips screwdriver.

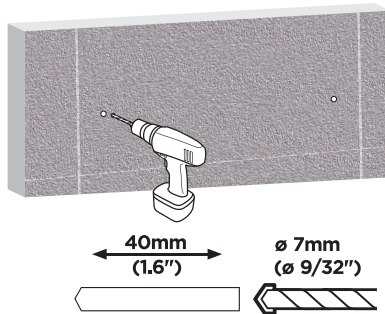


STEP 1c - Concrete Installation

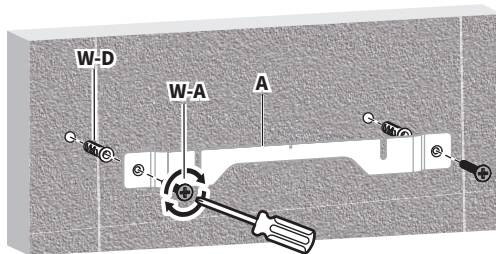
Hold Mount **(A)** up to the wall in your desired mounting location. Using Bubble Level **(T-A)** and a pencil, mark mounting hole locations.



Drill 1.6" (40mm) deep holes using a 9/32" (7mm) drill bit.

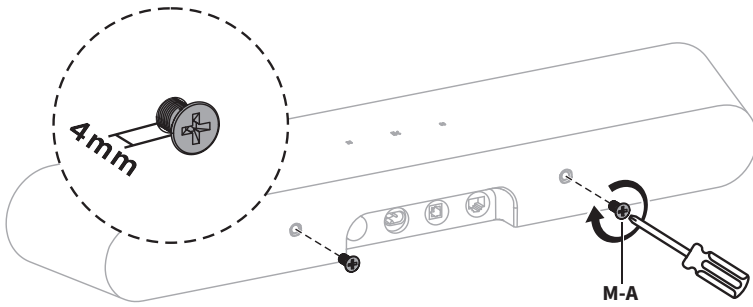


Insert Concrete Anchors **(W-D)** into the drilled holes. Install Mount **(A)** to the wall using ST4.8x38mm Screws **(W-A)** and a Phillips screwdriver.



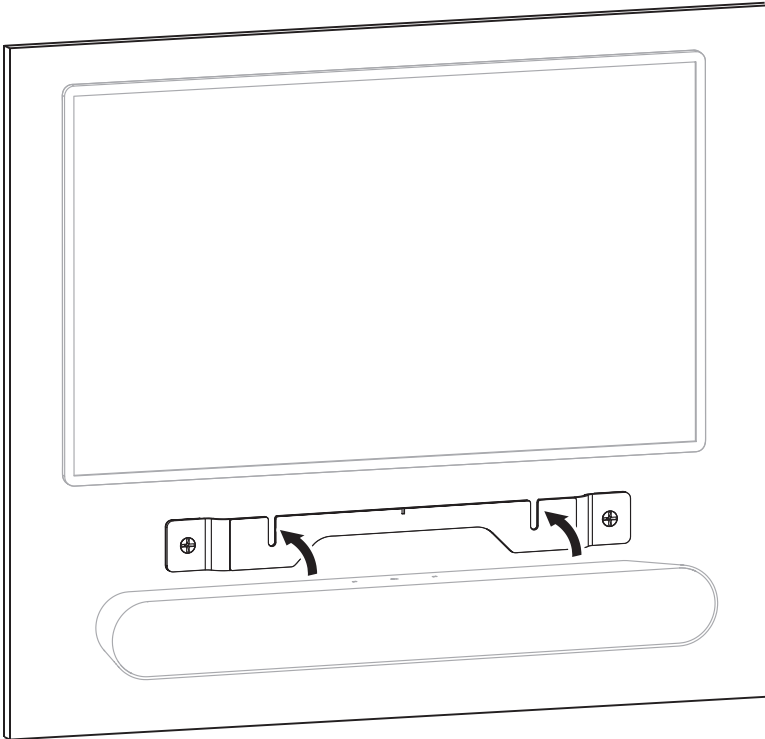
STEP 2

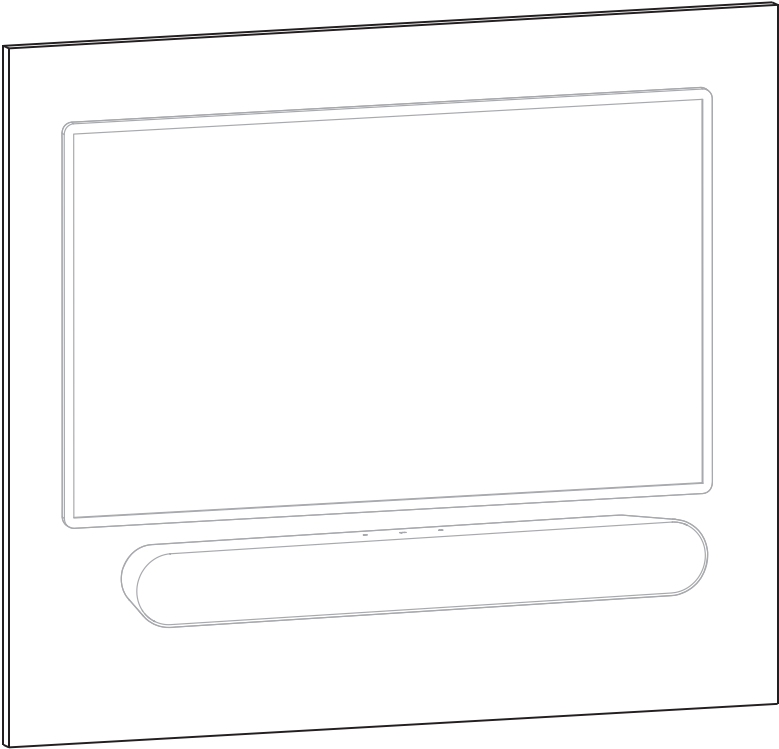
Install M5x10mm Screws (**M-A**) onto the back of the Sonos Ray leaving a 5/32" (4mm) gap between the speaker and screw head.



STEP 3

Slide the speaker onto Mount (**A**), ensuring that the rear-facing screw heads are anchored onto Mount's slots.







Open **Monday - Friday 7:00am - 7:00pm** CST,
our dedicated support team can offer immediate assistance with rapid response times. If any parts are received damaged or defective, please contact us. We are happy to replace parts to ensure you have a fully functioning product.



309-278-5303

AVG. RESOLUTION TIME (*within office hrs*): **5M 4S**



www.vivo-us.com
Chat live with an agent!

AVG. RESOLUTION TIME (*within office hrs*): **< 15 M**



help@vivo-us.com

AVG. RESPONSE TIME (*within office hrs*): **1HR 8M**

- 23% within < 15m
- 38% within < 30m
- 61% within < 1hr
- 83% within < 2hr
- 92% within < 3hr