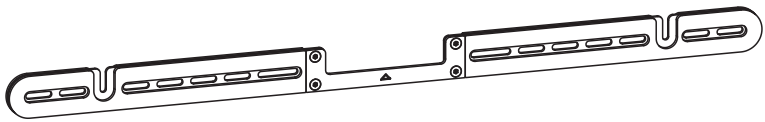




Wall Mount Designed for Sonos Arc Soundbar Instruction Manual



SKU: MOUNT-SONOS3W



Scan the QR code with your mobile device or follow the link for helpful videos and specifications related to this product.

<https://vivo-us.com/products/mount-sonos3w>

GET IN TOUCH | Monday-Friday from 7:00am-7:00pm CST



help@vivo-us.com



www.vivo-us.com
Chat live with an agent!



309-278-5303

WARNING!

If you do not understand these directions, or if you have any doubts about the safety of the installation, please call a qualified technician. Check carefully to make sure there are no missing or defective parts. Improper installation may cause damage or serious injury. Do not use this product for any purpose that is not explicitly specified in this manual. Do not exceed weight capacity. We cannot be liable for damage or injury caused by improper mounting, incorrect assembly or inappropriate use.

WARNING: CHOKING HAZARD

SMALL PARTS - NOT FOR CHILDREN UNDER 3 YEARS. ADULT SUPERVISION IS REQUIRED.

PACKAGE CONTENTS



A (x2)
Mounting
Bracket



B (x1)
Center Bracket



C (x4)
M6x8



D (x2)
Knob



E (x1)
4mm Allen
Wrench



W-A (x4)
ST4.8x50



W-B (x4)
Ø8x40 Concrete
Anchor

TOOLS NEEDED



Drill



Phillips
Screwdriver



Level



Pencil



CAUTION!

DO NOT INSTALL INTO DRYWALL ALONE. VERIFY YOUR WALL CONSTRUCTION. USE WOOD STUDS TO MOUNT. We include mounting for brick and concrete walls. If unsure, please contact us at vivo-us.com, email at help@vivo-us.com, or call us at 309-278-5303.

DO NOT EXCEED WEIGHT CAPACITY.

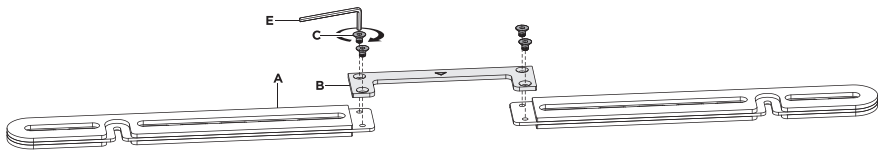
Failure to do so may result in serious injury.



ASSEMBLY STEPS

STEP 1

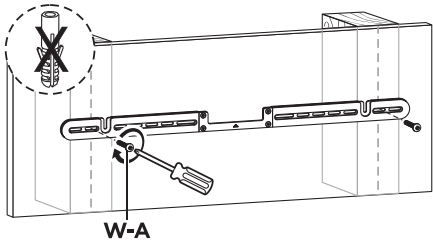
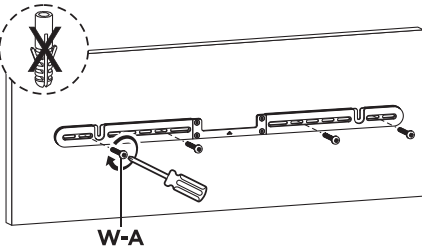
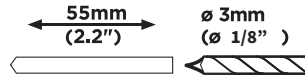
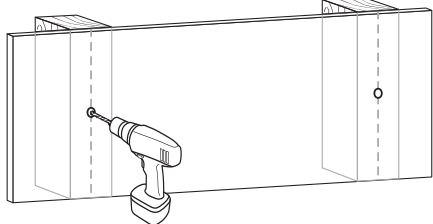
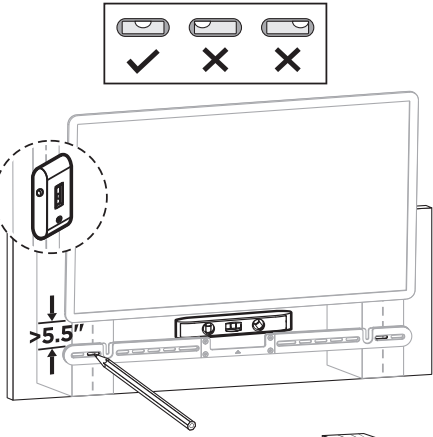
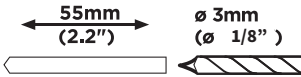
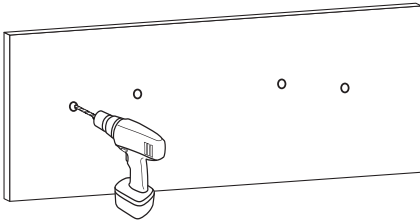
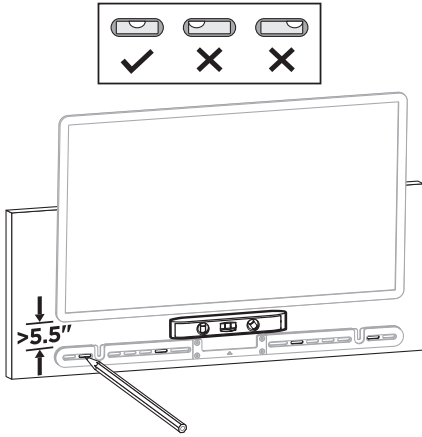
Assemble the mounting brackets **(A)** to the center bracket **(B)** using M6x8 bolts **(C)**, and tighten with the Allen wrench **(E)**. The open slots and square cutout must all be facing up.



STEP 2

OPTION A: Wood Wall

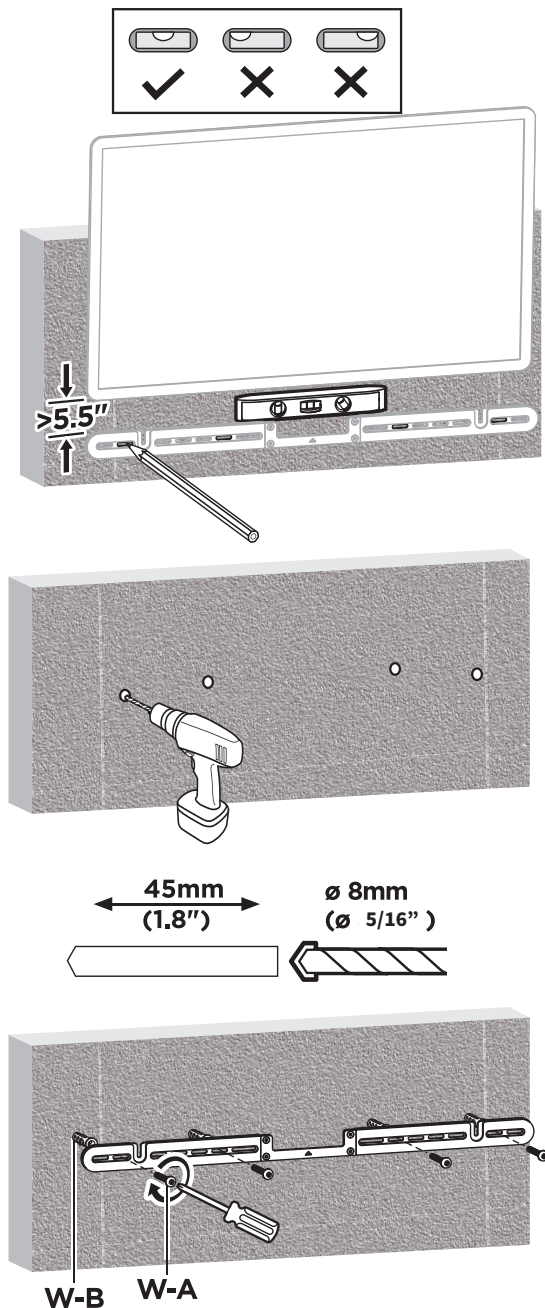
Place the assembled mount against the wall, no less than 5.5" (140mm) below the TV, and mark drilling locations with a pencil. Use of a level is recommended. Mark four drilling locations for a wood panel wall, or two locations for a wood stud wall (use of a stud finder is recommended). Drill 2.2" (55mm) deep holes using a 1/8" (3mm) drill bit, then install the mount using ST4.8x50 screws (**W-A**) using a Phillips screwdriver.



STEP 2 (Continued)

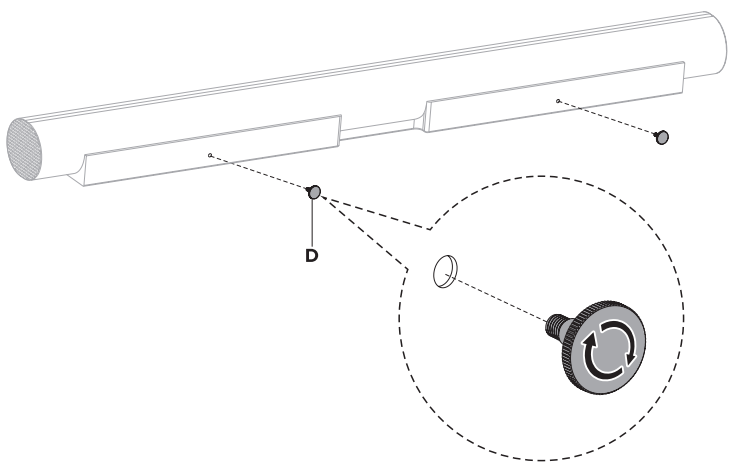
OPTION B: Concrete/Brick Wall

Place the assembled mount against the wall, no less than 5.5" (140mm) below the TV, and mark four drilling locations with a pencil. Drill 1.8" (45mm) deep holes using a 5/16" (8mm) drill bit, press ST8x40 concrete anchors (**W-B**) into the holes, then install the mount using ST4.8x50 screws (**W-A**) using a Phillips screwdriver.



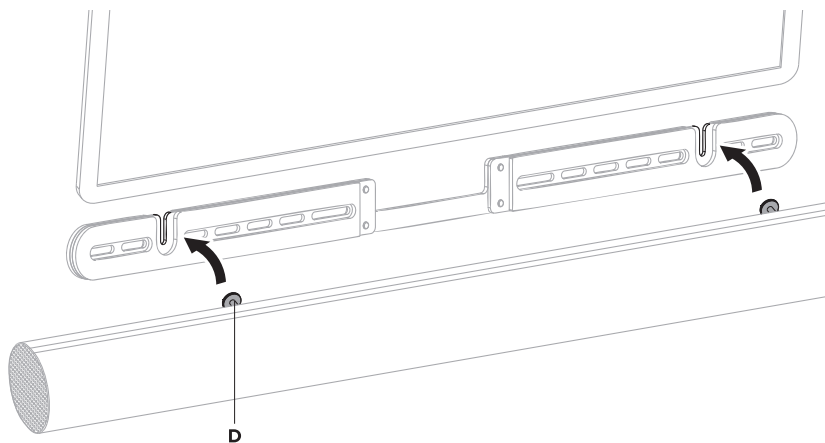
STEP 3

Screw the knobs **(D)** into the back of the Sonos Arc soundbar.



STEP 4

Hang the Sonos Arc soundbar over the top of the mount, making sure the knobs (**D**) are inserted into the slots.







Open Monday - Friday 7:00am - 7:00pm CST,
our dedicated support team can offer immediate assistance with rapid response times. If any parts are received damaged or defective, please contact us. We are happy to replace parts to ensure you have a fully functioning product.

 help@vivo-us.com

AVG. RESPONSE TIME (within office hrs): **1HR 8M**
- 23% within < 15m
- 38% within < 30m
- 61% within < 1hr
- 83% within < 2hr
- 92% within < 3hr

 www.vivo-us.com
Chat live with an agent!

AVG. RESOLUTION TIME (within office hrs): **< 15 M**

 309-278-5303

AVG. RESOLUTION TIME (within office hrs): **5M 4S**