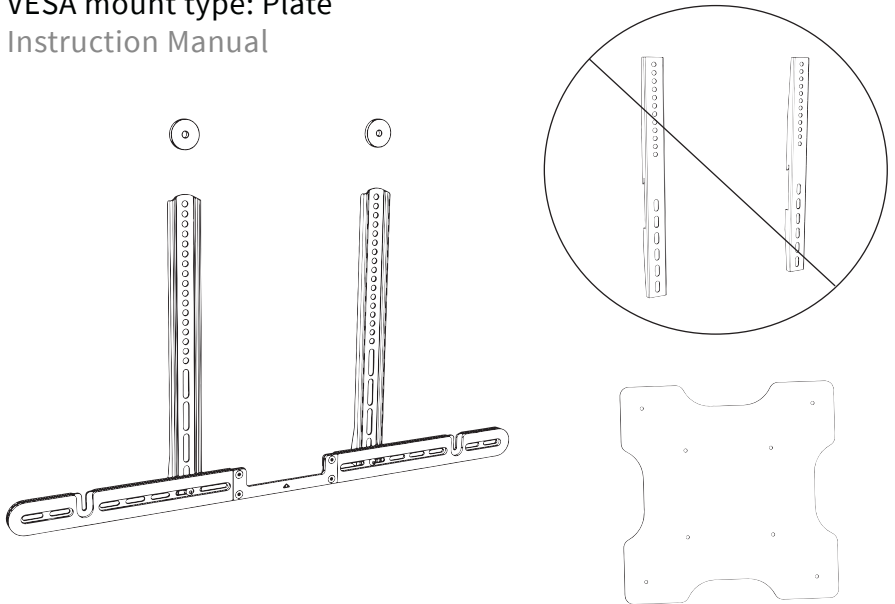




TV Mount Designed for Sonos Arc Soundbar
VESA mount type: Plate
Instruction Manual



SKU: MOUNT-SONOS3T



Scan the QR code with your mobile device or follow the link for helpful videos and specifications related to this product.

<https://vivo-us.com/products/mount-sonos3t>

GET IN TOUCH | Monday-Friday from 7:00am-7:00pm CST



help@vivo-us.com



www.vivo-us.com
Chat live with an agent!



309-278-5303

WARNING!

If you do not understand these directions, or if you have any doubts about the safety of the installation, please call a qualified technician. Check carefully to make sure there are no missing or defective parts. Improper installation may cause damage or serious injury. Do not use this product for any purpose that is not explicitly specified in this manual. Do not exceed weight capacity. We cannot be liable for damage or injury caused by improper mounting, incorrect assembly or inappropriate use.

WARNING: CHOKING HAZARD

SMALL PARTS - NOT FOR CHILDREN UNDER 3 YEARS. ADULT SUPERVISION IS REQUIRED.

PACKAGE CONTENTS



A (x2)
VESA Bracket



B (x2)
Mounting Bracket



C (x1)
Center Bracket



S-A (x4)
M6x8 Screw



S-B (x2)
M6x20 Screw



S-C (x2)
M6 Nut



S-D (x2)
Large Spacer



S-E (x4)
5mm Spacer



S-F (x4)
M6x10 Screw



S-G (x2)
Knob



M-A (x4)
M5x16



M-B (x4)
M6x16



M-C (x4)
M5x25



M-D (x4)
M6x25



M-E (x4)
M6x40



M-F (x4)
M8x40



M-G (x4)
M8x60



M-H (x4)
D5 Washer



M-I (x8)
Small Spacer



M-J (x8)
Large Spacer



T-A (x1)
4mm Allen
Wrench



T-B (x1)
Wrench

TOOLS NEEDED



Drill



**Phillips
Screwdriver**



Level

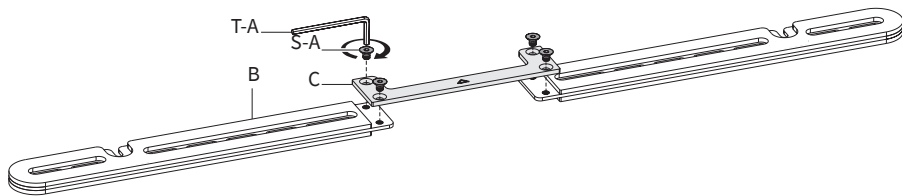


Pencil

ASSEMBLY STEPS

STEP 1

Assemble Mounting Brackets **(B)** to Center Bracket **(C)** using M6x8 Screws **(S-A)**, and tighten with 4mm Allen Wrench **(T-A)**. The open slots and square cutout must all be facing up.

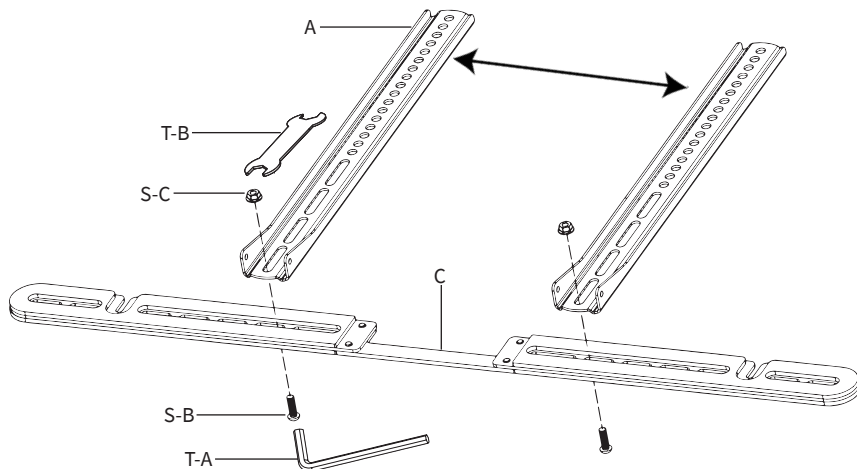


STEP 2 (Option A)

Below TV Installation

Measure the horizontal mounting hole spacing on the back of the TV to determine correct spacing for VESA Brackets **(A)**. Install VESA Brackets **(A)** to the back of the assembled mount using M6x20 Screws **(S-B)** and M6 Nuts **(S-C)**, tightening with 4mm Allen Wrench **(T-A)** and Wrench **(T-B)**.

NOTE: Make sure the arrow on the back of Center Bracket **(C)** is facing down.

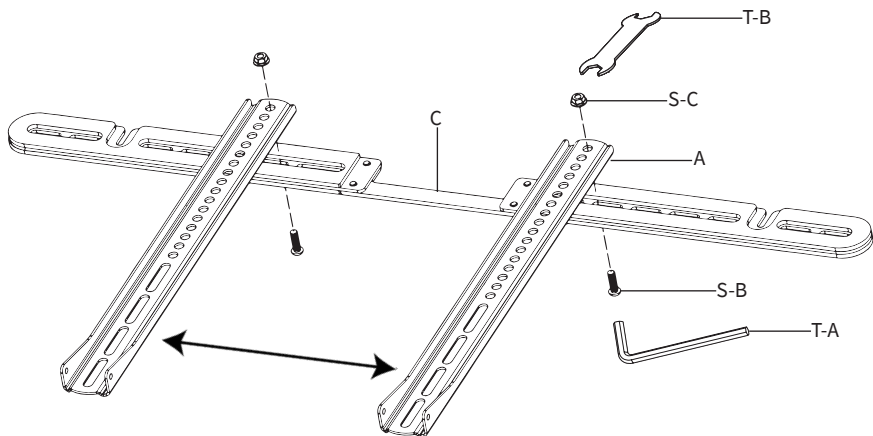


STEP 2 (Option B)

Above TV Installation

Measure the horizontal mounting hole spacing on the back of the TV to determine correct spacing for VESA Brackets (A). Install VESA Brackets (A) to the back of the assembled mount using M6x20 Screws (S-B) and M6 Nuts (S-C), tightening with 4mm Allen Wrench (T-A) and Wrench (T-B).

NOTE: Make sure the arrow on the back of Center Bracket (C) is facing down.

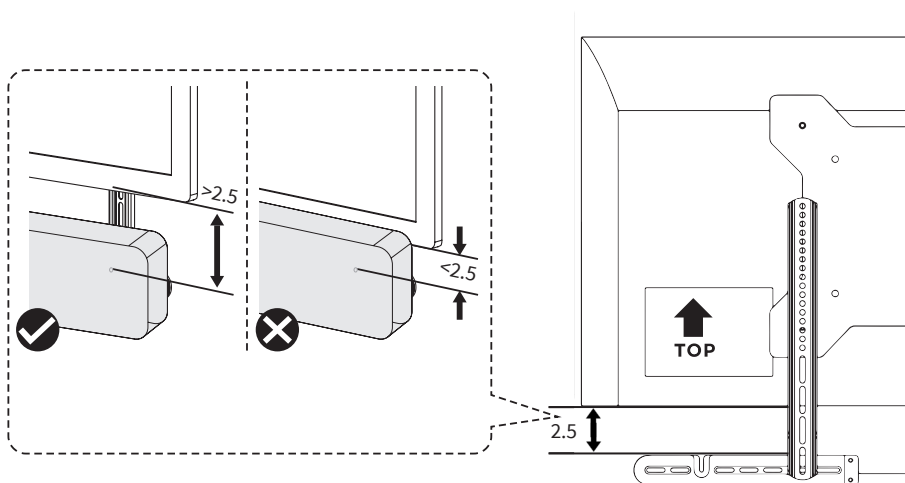


STEP 3 (Option A)

Below TV Installation

Determine the correct mounting height for the soundbar mount.

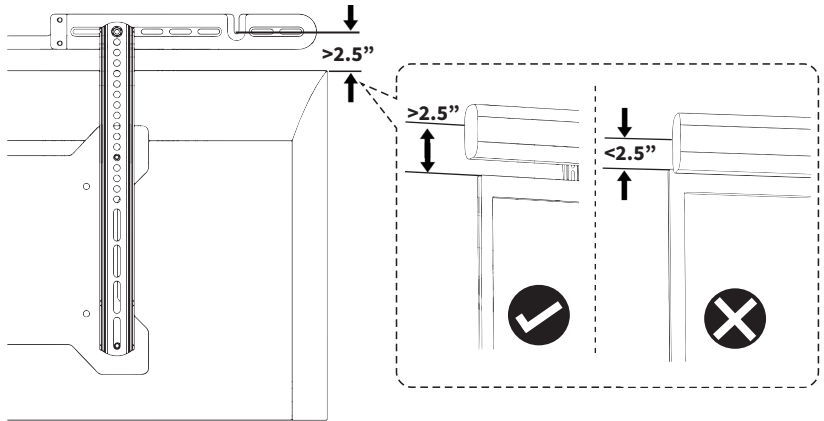
For below TV mounting, the open slots in the soundbar mount should be at least 2.5" below the bottom edge of the TV.



STEP 3 (Option B)

Above TV Installation

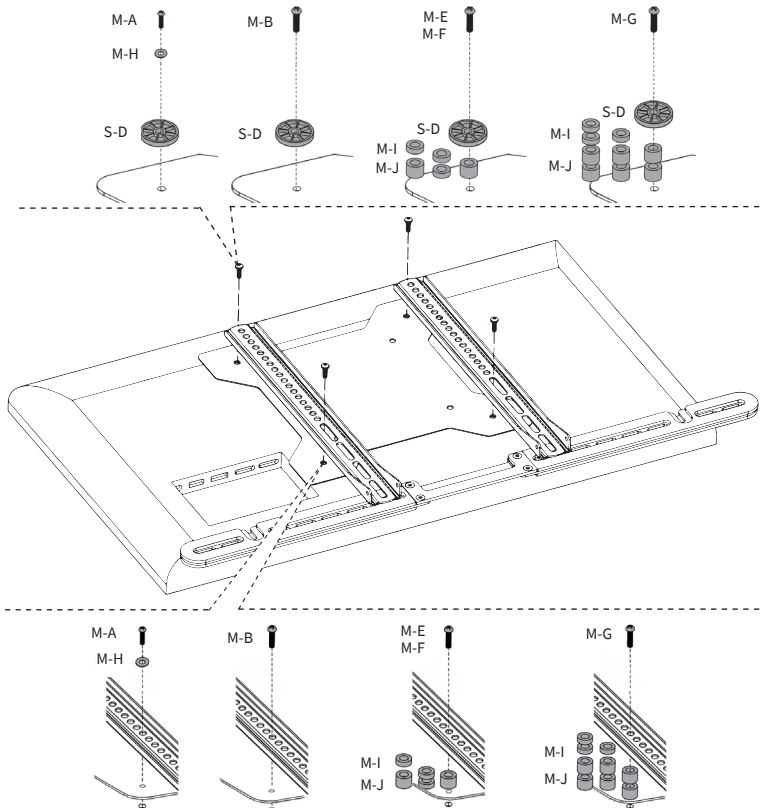
For above TV mounting, measure the distance from the base of the soundbar to the center of the rear mounting holes. The distance from the top edge of the TV to the open slots in the soundbar mount should be equal to or greater than the measured distance.



STEP 4 (Option A)

Below TV Mounting

Install the assembled mount, Large Spacers (S-D) and VESA brackets from TV VESA mount to the back of the TV using screws (M-A through M-G), washers (M-H) and spacers (M-I, M-J) as needed. The TV VESA mount brackets should be placed behind the soundbar mount and Large Spacers (S-D).

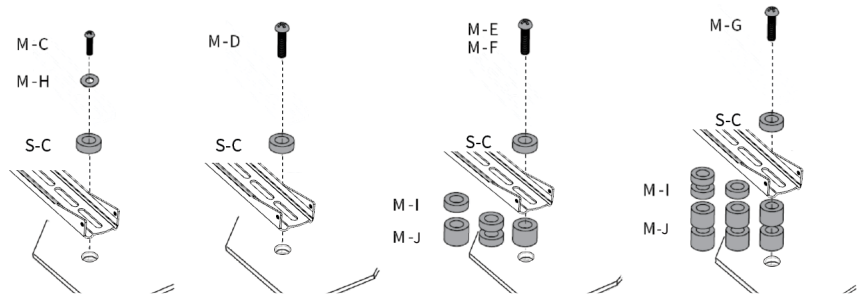
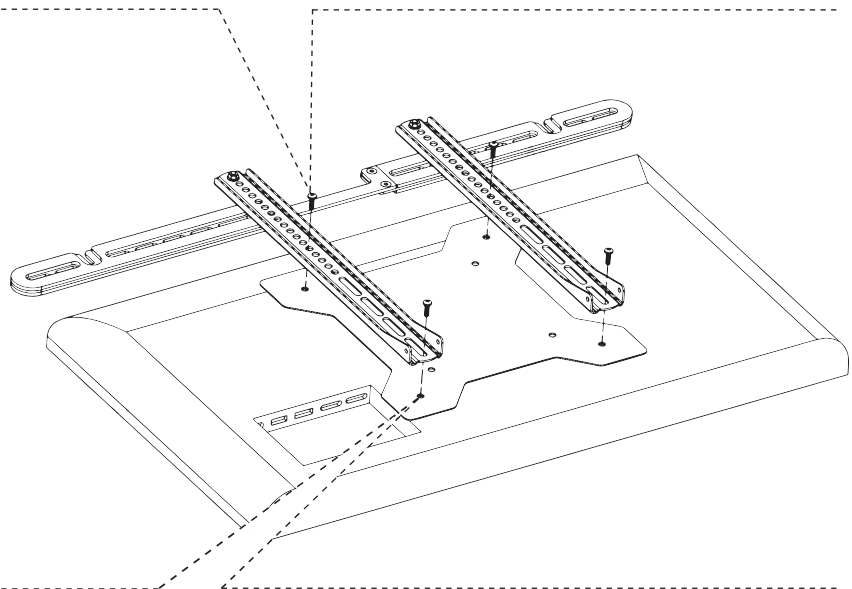
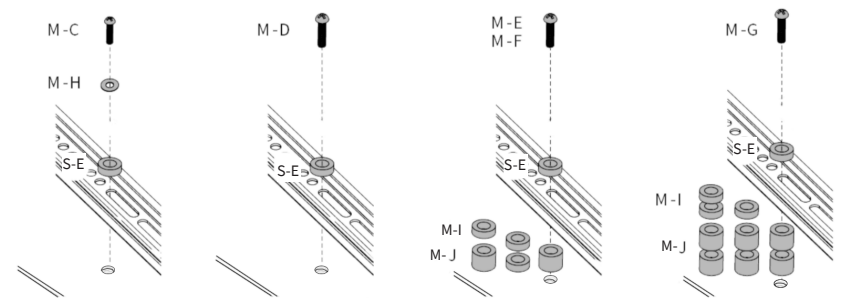


STEP 4 (Option B)

Above TV Mounting

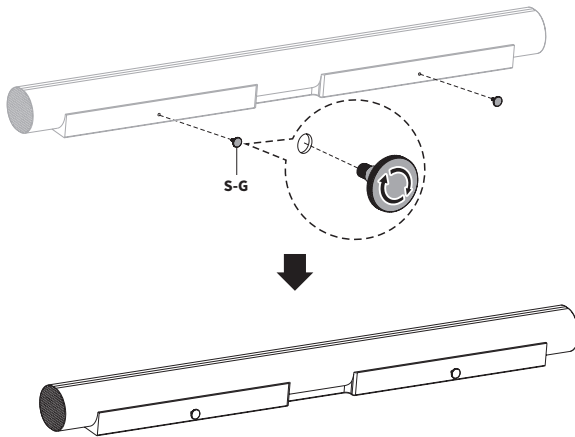
Install the assembled mount on the back of the TV with VESA plate from the TV mount, and secure using Screws (M-A through M-G) of the correct size for your TV. Use D5 Washers (M-H) and Spacers (M-I, M-J) if needed.

NOTE: To ensure the mount is installed securely, top mounting requires the use of all four TV mounting holes as shown below.



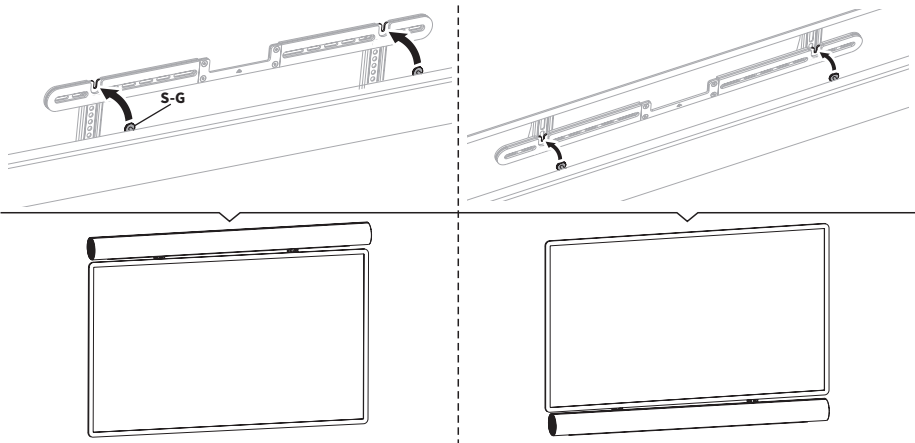
STEP 5

Screw Knobs **(S-G)** into the back of the Sonos Arc soundbar.



STEP 6

Hang the Sonos Arc soundbar over the top of the mount, making sure Knobs **(S-G)** are inserted into the slots.





Open Monday - Friday 7:00am - 7:00pm CST,

our dedicated support team can offer immediate assistance with rapid response times. If any parts are received damaged or defective, please contact us. We are happy to replace parts to ensure you have a fully functioning product.



309-278-5303

AVG. RESOLUTION TIME (within office hrs): **5M 4S**



www.vivo-us.com
Chat live with an agent!

AVG. RESOLUTION TIME (within office hrs): **< 15 M**



help@vivo-us.com

AVG. RESPONSE TIME (within office hrs): **1HR 8M**

- 23% within < 15m
- 38% within < 30m
- 61% within < 1hr
- 83% within < 2hr
- 92% within < 3hr