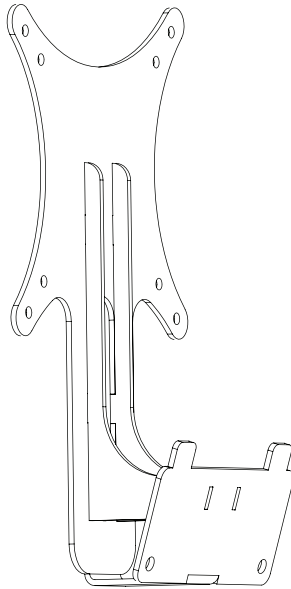




---

## VESA Adapter Designed for Compatible Samsung UR591C Series

Instruction Manual



**SKU: MOUNT-SGU59**



Scan the QR code with your mobile device or follow the link for helpful videos and specifications related to this product.

<https://vivo-us.com/products/mount-sgu59>

---

**GET IN TOUCH** | Monday-Friday from 7:00am-7:00pm CST



help@vivo-us.com



www.vivo-us.com  
*Chat live with an agent!*



309-278-5303

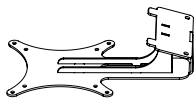
## **WARNING!**

If you do not understand these directions, or if you have any doubts about the safety of the installation, please call a qualified technician. Check carefully to make sure there are no missing or defective parts. Improper installation may cause damage or serious injury. Do not use this product for any purpose that is not explicitly specified in this manual. Do not exceed weight capacity. We cannot be liable for damage or injury caused by improper mounting, incorrect assembly or inappropriate use.

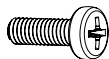
## **WARNING: CHOKING HAZARD**

SMALL PARTS - NOT FOR CHILDREN UNDER 3 YEARS. ADULT SUPERVISION IS REQUIRED.

### PACKAGE CONTENTS



**A** (x1)  
VESA Adapter



**M-A** (x6)  
M4x12mm  
Screw



**M-B** (x4)  
M4 Washer

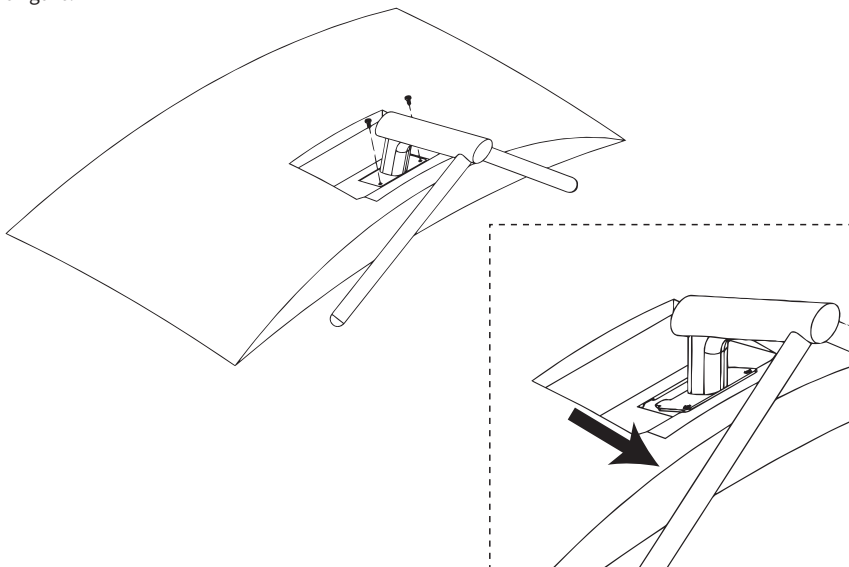
### TOOLS NEEDED



### ASSEMBLY STEPS

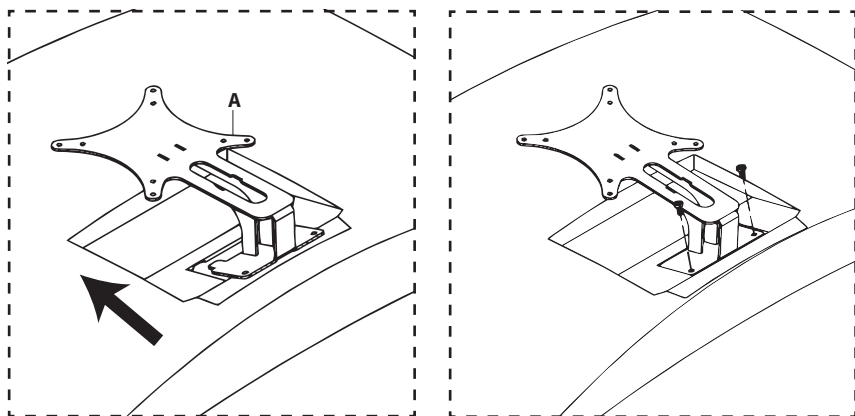
#### STEP 1

Place your monitor face down on a protected surface. Detatch the OEM stand by removing the screws at the bottom of the stand neck. Slide and lift the stand in the direction of the arrow shown in the figure.



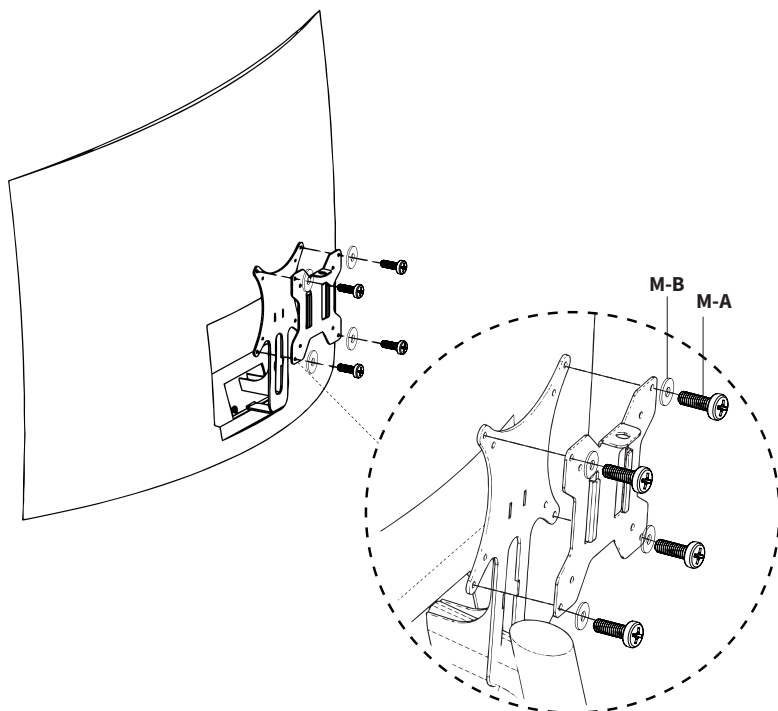
## STEP 2

Slide VESA Adapter (**A**) into open slot on monitor. Secure using the previously removed screws and a Phillips screwdriver.



## STEP 3

Mount monitor with adapter to your VESA mounting plate using M4x12mm Thumbscrews (**M-A**), M4 Washers (**M-B**) and a Phillips screwdriver.





Open **Monday - Friday 7:00am - 7:00pm** CST,  
our dedicated support team can offer immediate assistance with rapid response times. If any parts are received damaged or defective, please contact us. We are happy to replace parts to ensure you have a fully functioning product.



309-278-5303

**AVG. RESOLUTION TIME** (*within office hrs*): **5M 4S**



[www.vivo-us.com](http://www.vivo-us.com)  
*Chat live with an agent!*

**AVG. RESOLUTION TIME** (*within office hrs*): **< 15 M**



[help@vivo-us.com](mailto:help@vivo-us.com)

**AVG. RESPONSE TIME** (*within office hrs*): **1HR 8M**

- 23% within < 15m
- 38% within < 30m
- 61% within < 1hr
- 83% within < 2hr
- 92% within < 3hr