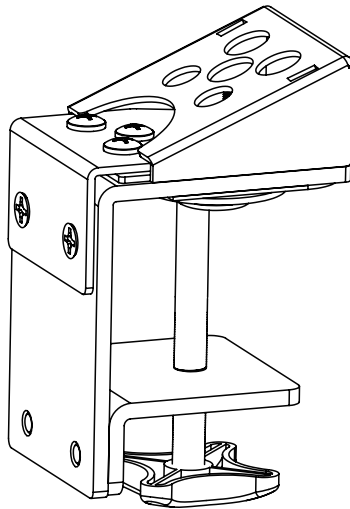


---

## Desk Clamp Designed for Samsung OEM Monitor Stands

Instruction Manual



**SKU: MOUNT-SG04**



Scan the QR code with your mobile device or follow the link for helpful videos and specifications related to this product.

<https://vivo-us.com/products/mount-sg04>

---

**GET IN TOUCH** | Monday-Friday from 7:00am-7:00pm CST



help@vivo-us.com



www.vivo-us.com  
*Chat live with an agent!*



309-278-5303

## **WARNING!**

If you do not understand these directions, or if you have any doubts about the safety of the installation, please call a qualified technician. Check carefully to make sure there are no missing or defective parts. Improper installation may cause damage or serious injury. Do not use this product for any purpose that is not explicitly specified in this manual. Do not exceed weight capacity. We cannot be liable for damage or injury caused by improper mounting, incorrect assembly or inappropriate use.

## **TIPOVER WARNING**

SERIOUS OR FATAL CRUSHING INJURIES CAN OCCUR FROM TIPOVER. TO HELP PREVENT TIPOVER:

- NEVER ALLOW CHILDREN TO CLIMB, STAND, HANG, OR PLAY ON ANY PART OF MONITOR OR STAND.
- USE TIPOVER RESTRAINT OR ANCHOR STAND TO WALL

**USE OF TIPOVER RESTRAINTS MAY ONLY REDUCE, BUT NOT ELIMINATE RISK OF TIPOVER.**

## **WARNING: CHOKING HAZARD**

SMALL PARTS - NOT FOR CHILDREN UNDER 3 YEARS. ADULT SUPERVISION IS REQUIRED.

## PACKAGE CONTENTS



**A (x1)**  
Upper Clamp



**B (x1)**  
Lower Clamp



**C (x1)**  
Pad



**S-A (x1)**  
M4x20mm  
Screw



**S-B (x2)**  
M8x12mm  
Screw



**T-A (x1)**  
5mm Allen  
Wrench

## TOOLS NEEDED

**NOTE: SOME HARDWARE INCLUDED MAY NOT BE USED**

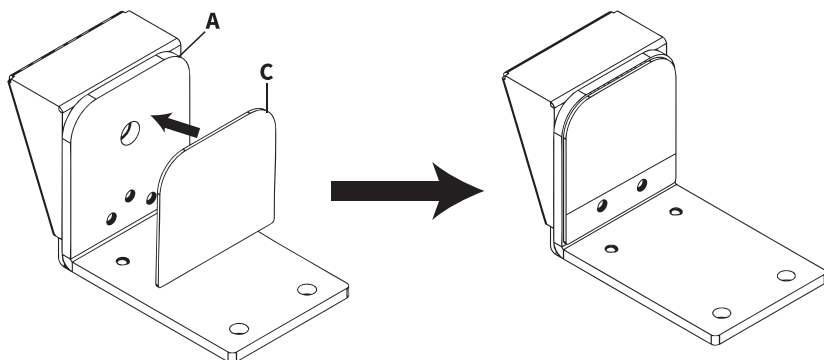


**Phillips  
Screwdriver**

## ASSEMBLY STEPS

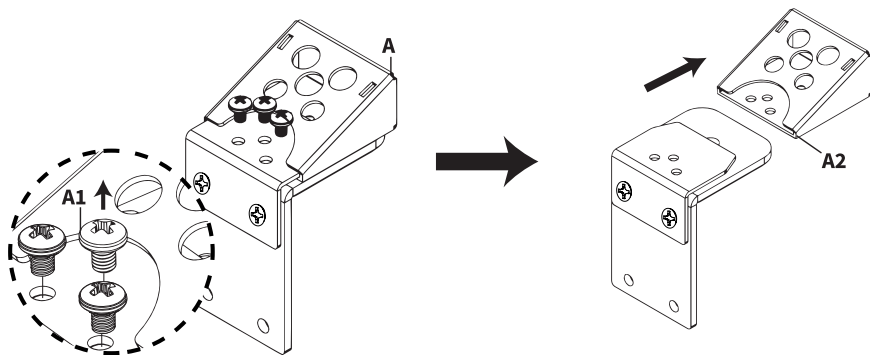
### STEP 1

Remove the protective film from Pad (C) and apply the pad to Upper Clamp (A).



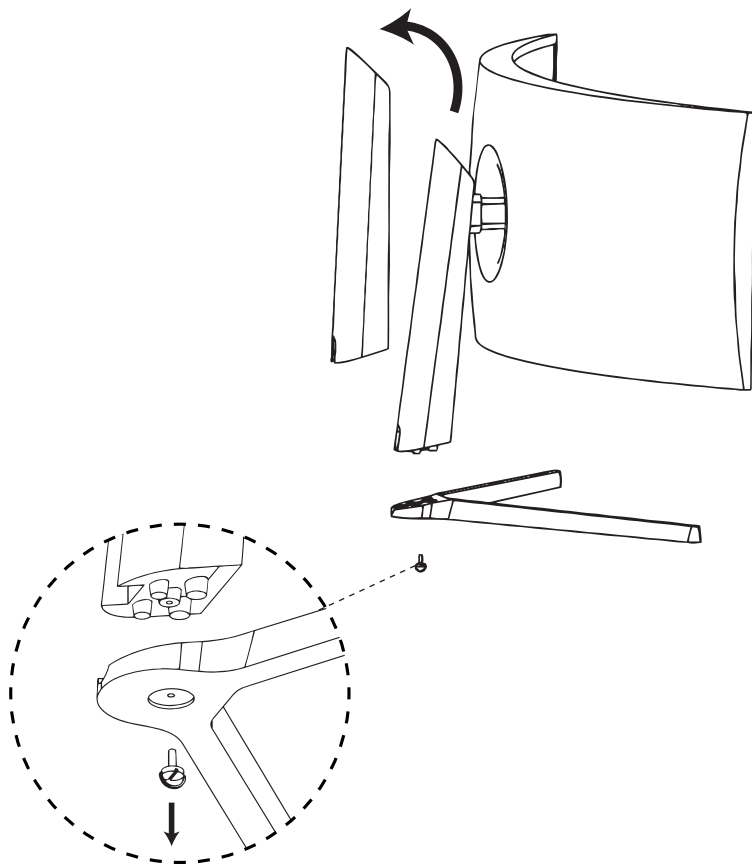
## STEP 2

Remove Locking Screws (**A1**) from Upper Clamp (**A**) using a Phillips screwdriver. Slide Base (**A2**) out from the clamp.



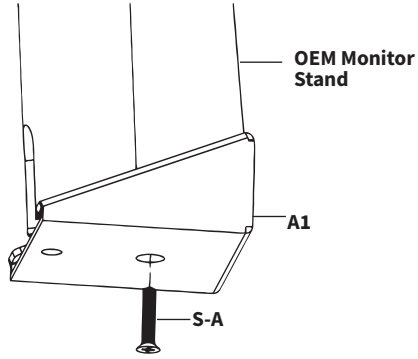
## STEP 3

Remove the OEM Base and the Plastic Shroud from your Samsung display following the manufacturer's instructions. Set screw aside for use in later step.



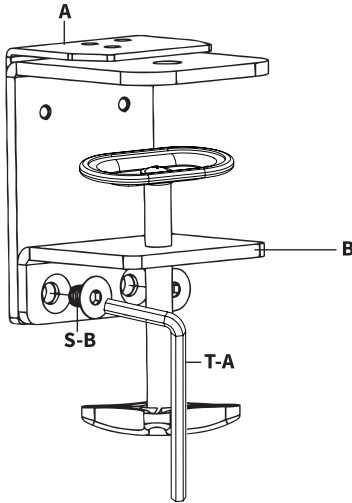
## STEP 4

Install Base **(A1)** to the monitor stand using M4x20mm Screw **(S-A)** and a Phillips screwdriver.

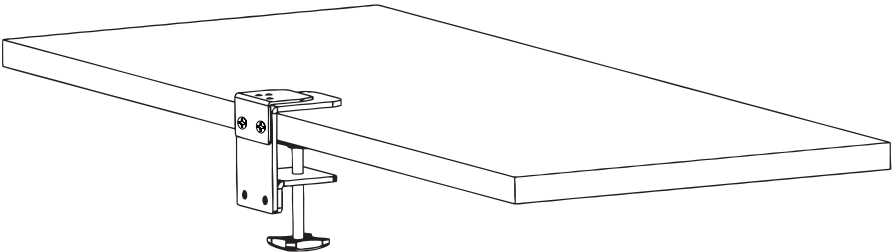


## STEP 5

Attach the Lower Clamp **(B)** to Upper Clamp **(A)** using M8x12mm Screws **(S-B)** and 5mm Allen Wrench **(T-A)**.



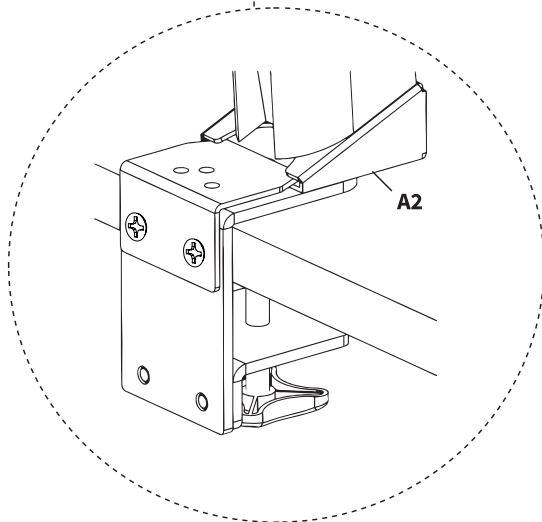
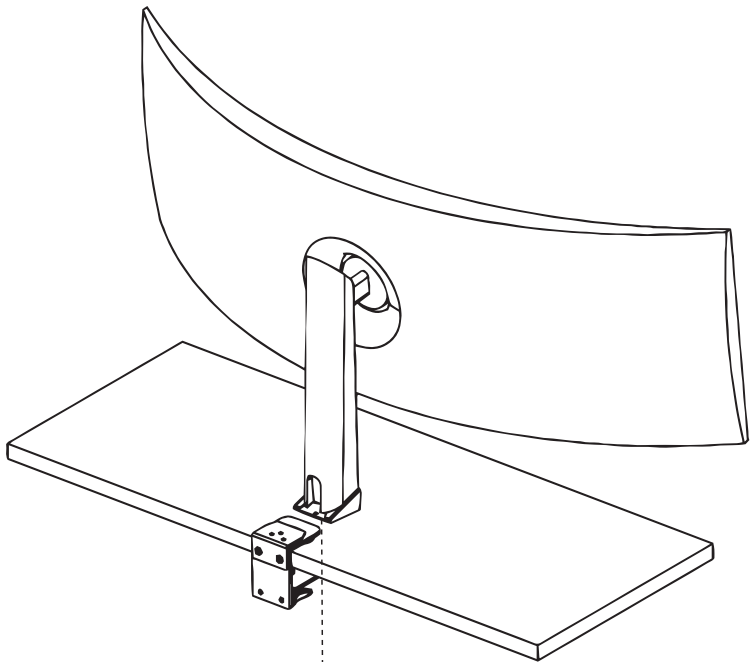
Secure clamp assembly to desktop in it's intended location. Tighten by turning the hand bolt.



## STEP 6

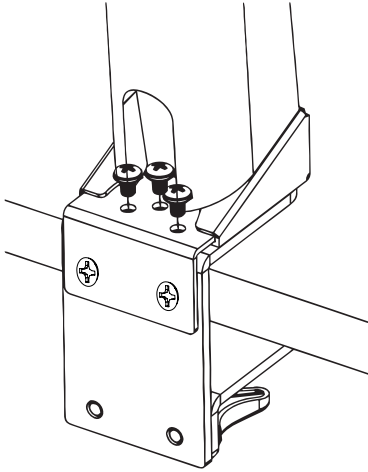
Slide the Samsung monitor with stand onto Upper Clamp (A). Ensure the Sliding Plate (A2) is sliding into the slot on the attached base.

**NOTE:** Two person installation is recommended.



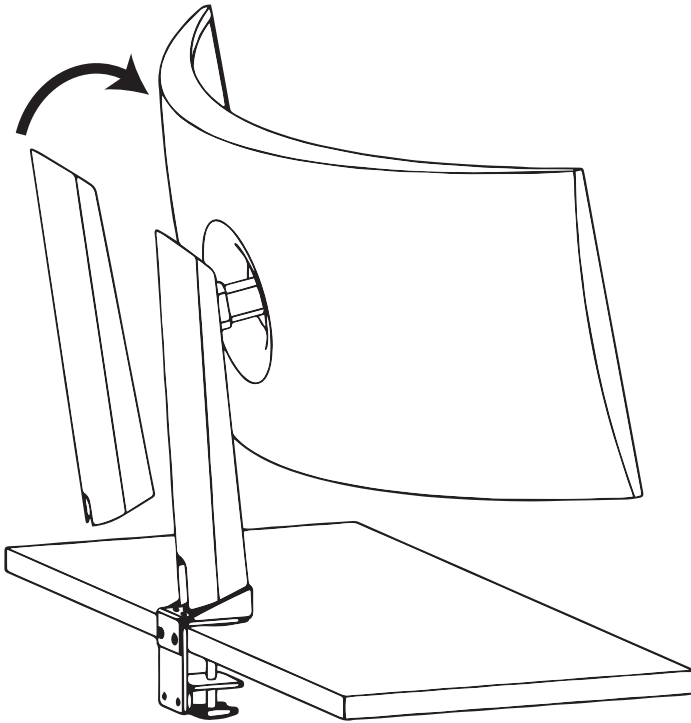
## STEP 7

Secure monitor into place using the screws removed in Step 2 and a Phillips screwdriver.



## STEP 8

The Plastic Shroud can be reinstalled following the manufacturer's recommended instructions.



[ THIS PAGE INTENTIONALLY LEFT BLANK ]



Open **Monday - Friday 7:00am - 7:00pm** CST,  
our dedicated support team can offer immediate assistance with rapid response times. If any parts are received damaged or defective, please contact us. We are happy to replace parts to ensure you have a fully functioning product.



[www.vivo-us.com](http://www.vivo-us.com)  
*Chat live with an agent!*

**AVG. RESOLUTION TIME** (*within office hrs*): **< 15 M**



309-278-5303

**AVG. RESOLUTION TIME** (*within office hrs*): **5M 4S**



[help@vivo-us.com](mailto:help@vivo-us.com)

**AVG. RESPONSE TIME** (*within office hrs*): **1HR 8M**

- 23% within < 15m
- 38% within < 30m
- 61% within < 1hr
- 83% within < 2hr
- 92% within < 3hr