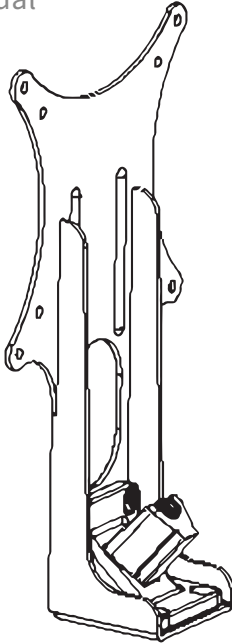




---

## VESA Adapter for Compatible Samsung Monitors

### Instruction Manual



**SKU: MOUNT-SG03CF**



Scan the QR code with your mobile device or follow the link for helpful videos and specifications related to this product.

<https://vivo-us.com/products/mount-sg03cf>

---

**GET IN TOUCH** | Monday-Friday from 7:00am-7:00pm CST



help@vivo-us.com



www.vivo-us.com  
*Chat live with an agent!*



309-278-5303

# **WARNING!**

If you do not understand these directions, or if you have any doubts about the safety of the installation, please call a qualified technician. Check carefully to make sure there are no missing or defective parts. Improper installation may cause damage or serious injury. Do not use this product for any purpose that is not explicitly specified in this manual. Do not exceed weight capacity. We cannot be liable for damage or injury caused by improper mounting, incorrect assembly or inappropriate use.

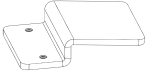
## **WARNING: CHOKING HAZARD**

SMALL PARTS - NOT FOR CHILDREN UNDER 3 YEARS. ADULT SUPERVISION IS REQUIRED.

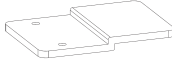
### PACKAGE CONTENTS



**A** (x1)  
VESA Adapter



**B** (x1)  
24" Monitor  
Bracket



**C** (x1)  
32" Monitor  
Bracket



**D** (x2)  
Compression  
Pad



**S-A** (x1)  
ST5x10mm  
Screw



**S-B** (x2)  
M5x12 mm  
Screw



**M-A** (x4)  
M4x12mm  
Thumbscrew



**M-B** (x4)  
M4 Washer



**M-C** (x2)  
M4x50mm Screw



**M-E** (x2)  
M4x75mm Screw

### TOOLS NEEDED



**Phillips  
Screwdriver**

**DO NOT EXCEED WEIGHT CAPACITY.**

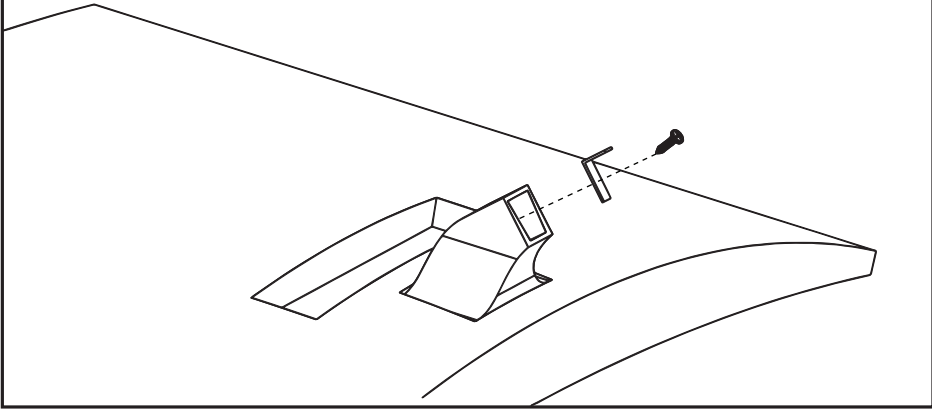
Failure to do so may result in serious injury.



## ASSEMBLY STEPS

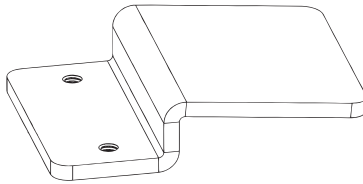
### STEP 1

Remove original screw and clip from the mounting location in the monitor using a Phillips screwdriver.

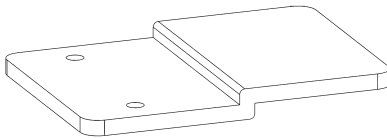


### STEP 2

Included with your hardware pack are two **Monitor Brackets**, designed to fit different sized monitors. Before proceeding, identify which monitor size you have and match that with the appropriate bracket needed for the next step.



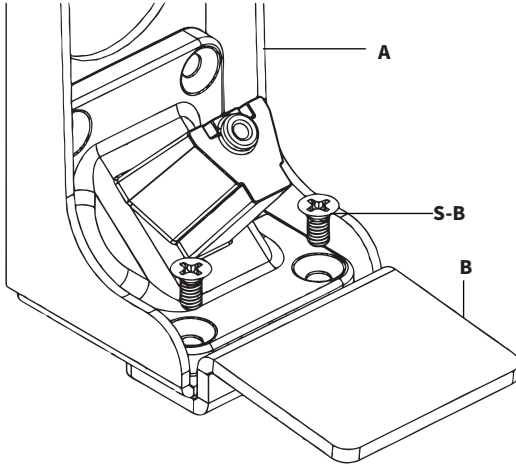
**B (x1)**  
24" Monitor Bracket



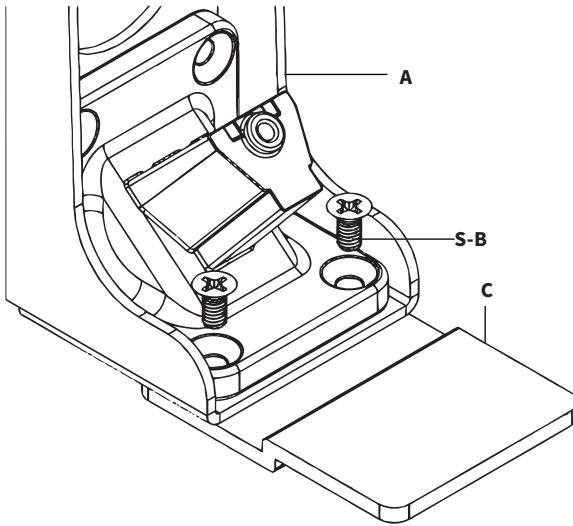
**C (x1)**  
32" Monitor Bracket

## STEP 3

Install appropriate Monitor Bracket (**B or C**) to VESA Adapter (**A**) using M5x12mm Screws (**S-B**) and a Phillips screwdriver.

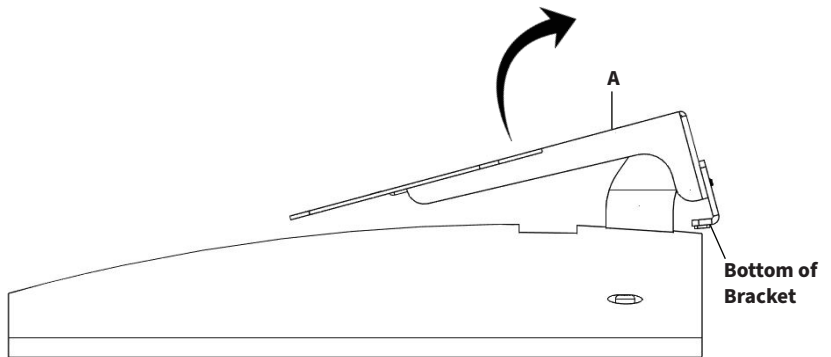


OR



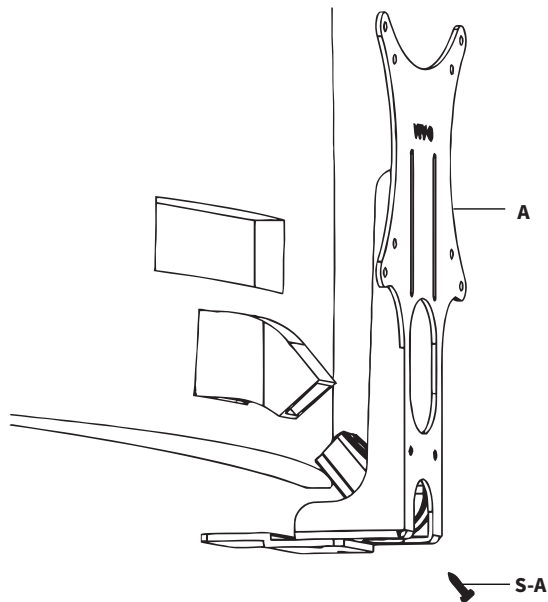
## STEP 4

While holding the monitor down, gently rotate VESA Adapter **(A)** until the bottom bracket of the adapter rests against the bottom of the monitor.



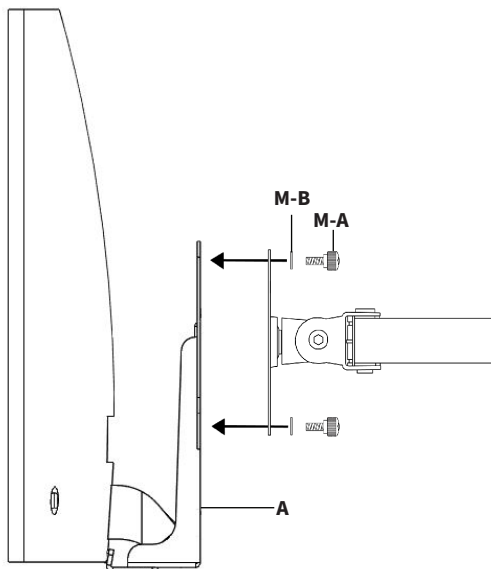
## STEP 5

Insert VESA Adapter **(A)** into the monitor, and secure with ST5x10mm Screw **(S-A)** and a Phillips screwdriver.



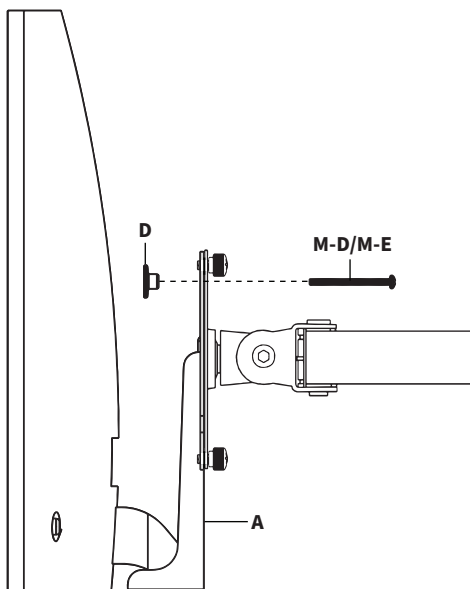
## STEP 6

Mount VESA Adapter (**A**) with monitor to your VESA mount using M4x12mm Thumbscrews (**M-A**) and M4 Washers (**M-B**). Do not overtighten; the thumbscrews only need to be finger-tight



## STEP 7

Insert the M4x50mm Screws (**M-C**) for 32" monitor or M4x75mm Screws (**M-D**) for 24" Monitor into the available top two holes in VESA Adapter (**A**). Attach Compression Pads (**D**) to the ends of the Screws and then gently tighten until the monitor is snug and wont wobble forwards and backwards. Do not over tighten as this may cause damage to the monitor.



**CAUTION:** This adapter is designed only to support the monitor in standard landscape view. Do NOT rotate the monitor upside-down or for portrait view.

[ THIS PAGE INTENTIONALLY LEFT BLANK ]



Open **Monday - Friday 7:00am - 7:00pm** CST,  
our dedicated support team can offer immediate assistance with rapid response times. If any parts are received damaged or defective, please contact us. We are happy to replace parts to ensure you have a fully functioning product.



309-278-5303

**AVG. RESOLUTION TIME** (*within office hrs*): **5M 4S**



[www.vivo-us.com](http://www.vivo-us.com)  
*Chat live with an agent!*

**AVG. RESOLUTION TIME** (*within office hrs*): **< 15 M**



[help@vivo-us.com](mailto:help@vivo-us.com)

**AVG. RESPONSE TIME** (*within office hrs*): **1HR 8M**

- 23% within < 15m
- 38% within < 30m
- 61% within < 1hr
- 83% within < 2hr
- 92% within < 3hr