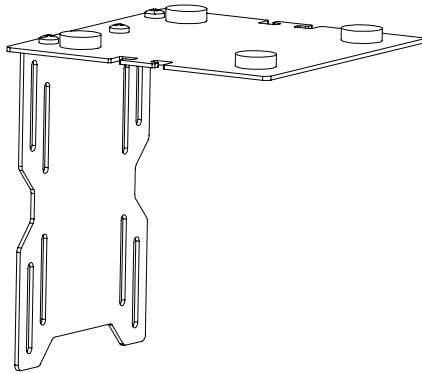




---

## Black TV and Monitor VESA Shelf

### Instruction Manual



**SKU: MOUNT-SFVA1**



Scan the QR code with your mobile device or follow the link for helpful videos and specifications related to this product.

<https://vivo-us.com/products/mount-sfva1>

---

GET IN TOUCH | Monday-Friday from 7:00am-7:00pm CST



help@vivo-us.com



www.vivo-us.com  
*Chat live with an agent!*



309-278-5303

# ⚠ WARNING!

If you do not understand these directions, or if you have any doubts about the safety of the installation, please call a qualified technician. Check carefully to make sure there are no missing or defective parts. Improper installation may cause damage or serious injury. Do not use this product for any purpose that is not explicitly specified in this manual. Do not exceed weight capacity. We cannot be liable for damage or injury caused by improper mounting, incorrect assembly or inappropriate use.

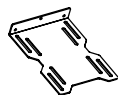
## ⚠ WARNING: CHOKING HAZARD

SMALL PARTS - NOT FOR CHILDREN UNDER 3 YEARS.  
ADULT SUPERVISION IS REQUIRED.

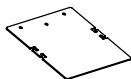
### TOOLS NEEDED



## PACKAGE CONTENTS



**A** (x1)  
VESA Plate



**B** (x1)  
Tray



**C** (x4)  
Rubber Pad



**D** (x3)  
M5x6



**E** (x4)  
M5x12



**F** (x4)  
M4x12



**G** (x1)  
Elastic Band

DO NOT EXCEED WEIGHT CAPACITY.

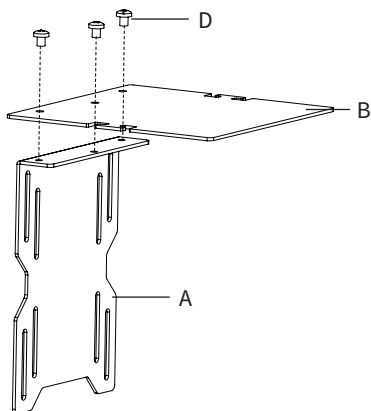
Failure to do so may result in serious injury.



## ASSEMBLY STEPS

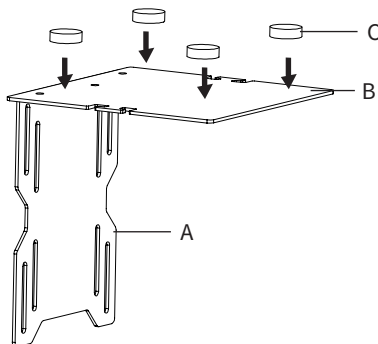
### STEP 1

Assemble the tray (**B**) to the top of the VESA plate (**A**) using the M5x6 bolts (**D**), and tighten with a Phillips screwdriver.



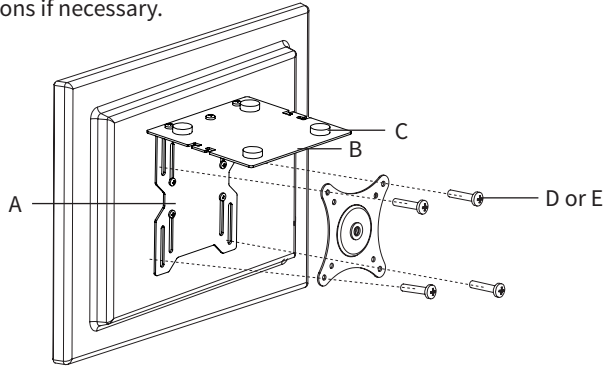
### STEP 2

Peel the backing from the rubber pads (**C**) and place the pads on the surface of the tray (**B**), making sure they align with the base of the device to be mounted to the tray.



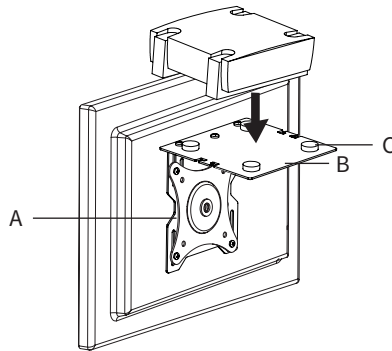
### STEP 3

Install the assembled shelf to the back of the monitor using the M4x12 or M5x12 bolts (**E**, **F**). If using with a VESA mount, install the shelf between the monitor and VESA mount using the M4x12 or M5x12 bolts, or using the VESA mount's included hardware. Adjust the shelf to the maximum height to prevent interference with the VESA mount's tilt or other adjustment functions if necessary.



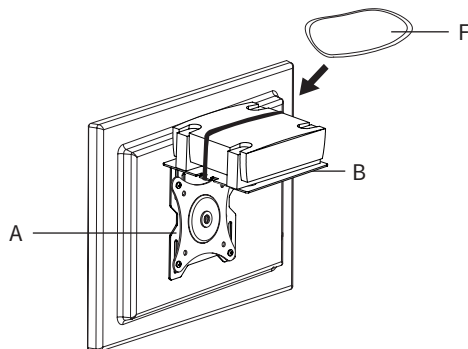
### STEP 4


Place the device on top of the shelf.



### STEP 5

Secure the device using the elastic band (**G**), making sure the band is wrapped around the hooks on each side.



 Love your new VIVO setup and want to share?  
Tag us in your photo! [@vivo\\_us](#)

LAST UPDATED: 01/22/2021



Open **Monday - Friday 7:00am - 7:00pm** CST,

our dedicated support team can offer immediate assistance with rapid response times. If any parts are received damaged or defective, please contact us. We are happy to replace parts to ensure you have a fully functioning product.


 [help@vivo-us.com](mailto:help@vivo-us.com)

**AVG. RESPONSE TIME** (*within office hrs*): **1HR 8M**

- 23% within < 15m
- 38% within < 30m
- 61% within < 1hr
- 83% within < 2hr
- 92% within < 3hr

 [www.vivo-us.com](http://www.vivo-us.com)  
*Chat live with an agent!*

**AVG. RESOLUTION TIME** (*within office hrs*): **< 15 M**

 309-278-5303

**AVG. RESOLUTION TIME** (*within office hrs*): **5M 4S**

FOR MORE VIVO PRODUCTS, CHECK OUT OUR WEBSITE AT: [www.vivo-us.com](http://www.vivo-us.com)