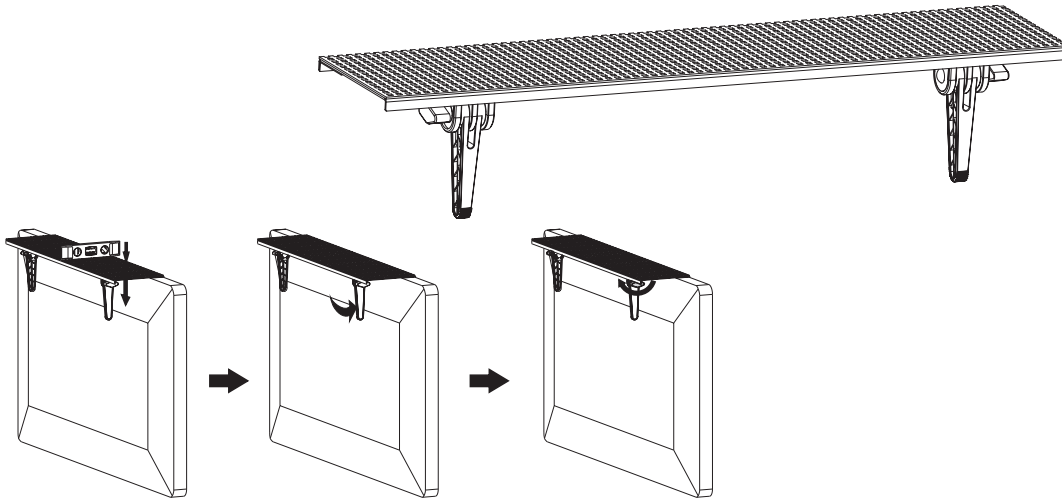




Black Top Shelf TV Mount



Place the shelf onto the top of the TV with the front of the shelf hooked over the edge of the TV. Place a level on the shelf, then adjust the legs to touch the back of the TV while holding the shelf level. Tighten the knobs, then place the anti-slip rubber pad on the surface of the shelf.

Love your new VIVO setup and want to share?

Tag us in your photo! @vivo_us



SKU: MOUNT-SFTV3

Scan the QR code with your mobile device or follow the link for helpful videos and specifications related to this product.

<https://vivo-us.com/products/mount-sftv3>



⚠ WARNING: CHOKING HAZARD

SMALL PARTS - NOT FOR CHILDREN UNDER 3 YEARS. ADULT SUPERVISION IS REQUIRED.

⚠ WARNING!

If you do not understand these directions, or if you have any doubts about the safety of the installation, please call a qualified technician. Check carefully to make sure there are no missing or defective parts. Improper installation may cause damage or serious injury. Do not use this product for any purpose that is not explicitly specified in this manual and do not exceed weight capacity. We cannot be liable for damage or injury caused by improper mounting, incorrect assembly, or inappropriate use.

Open **Monday - Friday 7:00am - 7:00pm CST**,

our dedicated support team can offer immediate assistance with rapid response times. If any parts are received damaged or defective, please contact us.

We are happy to replace parts to ensure you have a fully functioning product.



help@vivo-us.com

AVG. RESPONSE TIME (within office hrs): **1HR 8M**



www.vivo-us.com

Chat live with an agent!

AVG. RESOLUTION TIME (within office hrs): **< 15 M**



309-278-5303

AVG. RESOLUTION TIME (within office hrs): **5M 4S**