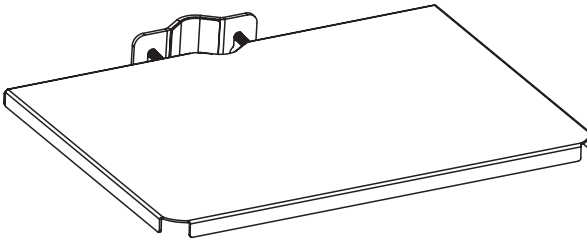




---

## Clamp-on 14" Shelf Pole Mount

### Instruction Manual



**SKU: MOUNT-SF13P**



Scan the QR code with your mobile device or follow the link for helpful videos and specifications related to this product.

<https://vivo-us.com/products/mount-sf13p>

---

GET IN TOUCH | Monday-Friday from 7:00am-7:00pm CST



help@vivo-us.com



www.vivo-us.com  
*Chat live with an agent!*

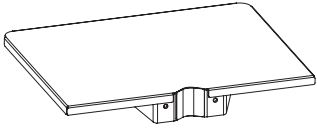


309-278-5303

# **WARNING!**

If you do not understand these directions, or if you have any doubts about the safety of the installation, please call a qualified technician. Check carefully to make sure there are no missing or defective parts. Improper installation may cause damage or serious injury. Do not use this product for any purpose that is not explicitly specified in this manual. Do not exceed weight capacity. We cannot be liable for damage or injury caused by improper mounting, incorrect assembly or inappropriate use.

## PACKAGE CONTENTS



**A** (x1)  
Shelf



**B** (x1)  
Mounting Bracket



**C** (x2)  
Bolt



**D** (x1)  
Allen Wrench

**DO NOT EXCEED WEIGHT CAPACITY.**

Failure to do so may result in serious injury.



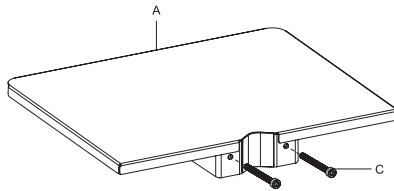
## **WARNING: CHOKING HAZARD**

SMALL PARTS - NOT FOR CHILDREN UNDER 3 YEARS. ADULT SUPERVISION IS REQUIRED.

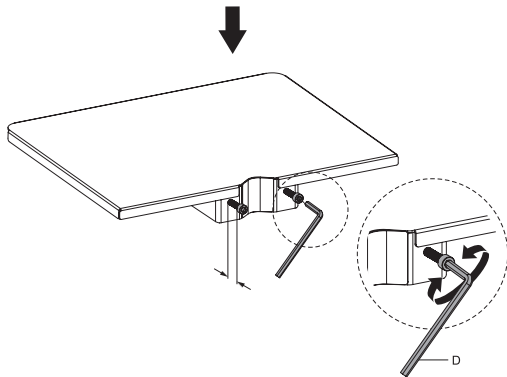
## ASSEMBLY STEPS

### STEP 1

Remove clear protective film from both the shelf (**A**) clamp plate and mounting bracket (**B**). Partially insert bolts (**C**) into shelf (**A**) using Allen wrench (**D**) as shown.



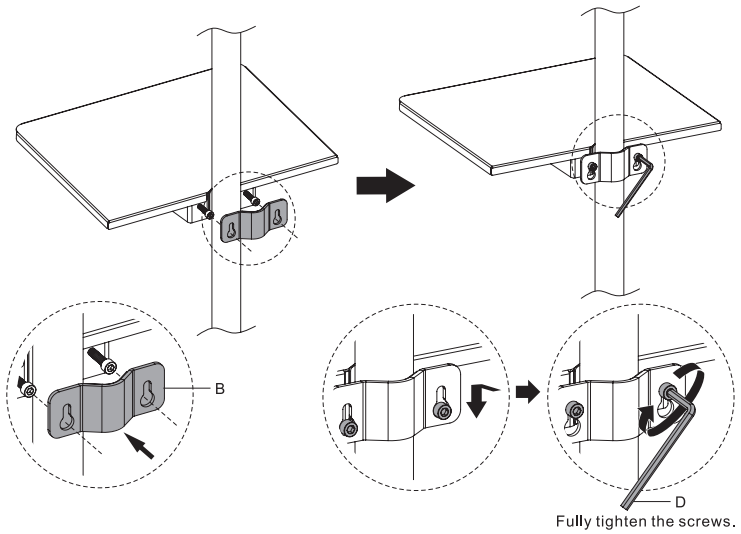
**NOTE:** Do not fully tighten screws at this time.



## STEP 2

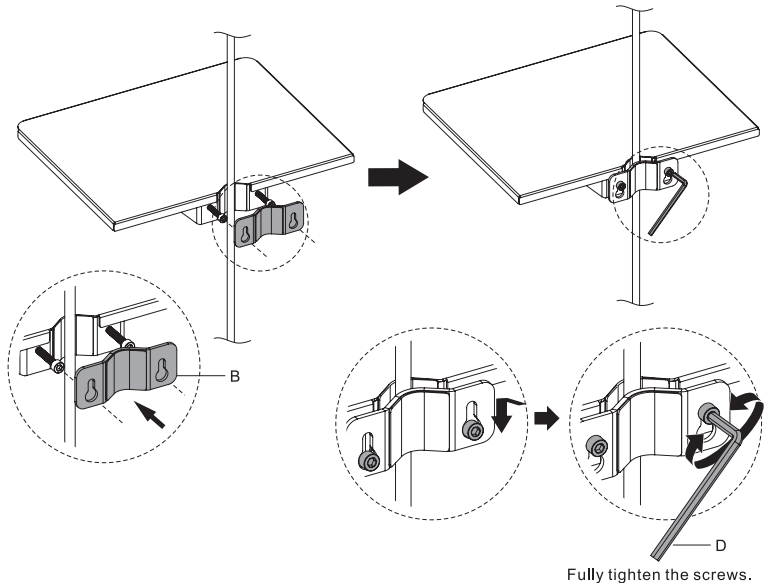
### OPTION A: For 25mm - 62mm (1" - 2.4") Pole

Hold the shelf (A) to the pole. Place the mounting bracket (B) over the screw heads with the rounded side facing out, then tighten with the Allen wrench (D).



### OPTION B: For 12mm - 25mm (0.5" - 1") Pole

Hold the shelf (A) to the pole. Place the mounting bracket (B) over the screw heads with the rounded side facing in, then tighten with the Allen wrench (D).





Open **Monday - Friday 7:00am - 7:00pm** CST,  
our dedicated support team can offer immediate assistance with rapid response times. If any parts are received damaged or defective, please contact us. We are happy to replace parts to ensure you have a fully functioning product.


 [help@vivo-us.com](mailto:help@vivo-us.com)

**AVG. RESPONSE TIME** (*within office hrs*): **1HR 8M**

- 23% within < 15m
- 38% within < 30m
- 61% within < 1hr
- 83% within < 2hr
- 92% within < 3hr

 [www.vivo-us.com](http://www.vivo-us.com)  
*Chat live with an agent!*

**AVG. RESOLUTION TIME** (*within office hrs*): **< 15 M**

 309-278-5303

**AVG. RESOLUTION TIME** (*within office hrs*): **5M 4S**