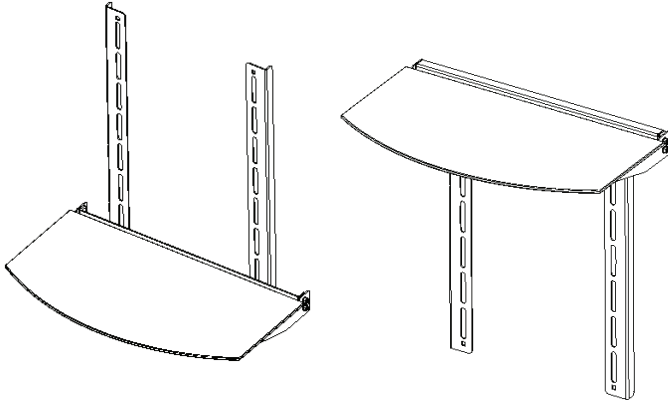




Under/Above TV Glass VESA Shelf

Instruction Manual



SKU: MOUNT-SF04R



Scan the QR code with your mobile device or follow the link for helpful videos and specifications related to this product.

<https://vivo-us.com/products/mount-sf04r>

GET IN TOUCH | Monday-Friday from 7:00am-7:00pm CST



help@vivo-us.com



www.vivo-us.com
Chat live with an agent!



309-278-5303

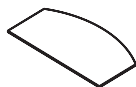
WARNING!

If you do not understand these directions, or if you have any doubts about the safety of the installation, please call a qualified technician. Check carefully to make sure there are no missing or defective parts. Improper installation may cause damage or serious injury. Do not use this product for any purpose that is not explicitly specified in this manual. Do not exceed weight capacity. We cannot be liable for damage or injury caused by improper mounting, incorrect assembly or inappropriate use.

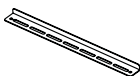
WARNING: CHOKING HAZARD

SMALL PARTS - NOT FOR CHILDREN UNDER 3 YEARS. ADULT SUPERVISION IS REQUIRED.

PACKAGE CONTENTS



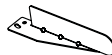
1 (x1)
Shelf



2 (x2)
VESA Bracket



3 (x1)
Horizontal
Bracket



4 (x1)
Right Shelf
Support



5 (x1)
Left Shelf
Support



6 (x6)
Adhesive Pad



7 (x6)
M6 Nut



8 (x6)
M6 Washer



9 (x6)
M6 Bolt



10 (x8)
Plastic Washer



11 (x1)
Wrench

TOOLS NEEDED



DO NOT EXCEED WEIGHT CAPACITY.
Failure to do so may result in serious injury.

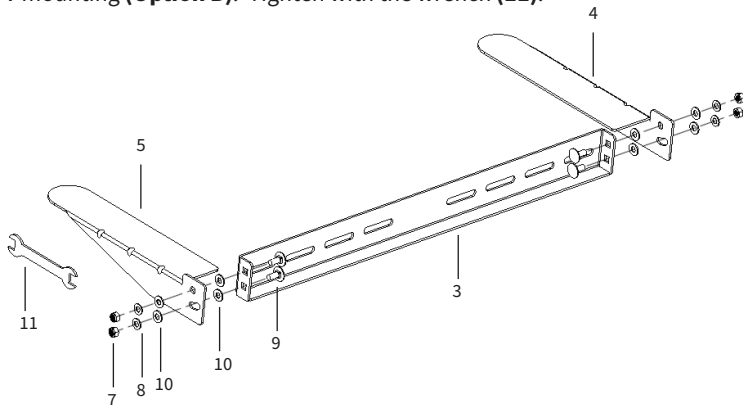


ASSEMBLY STEPS

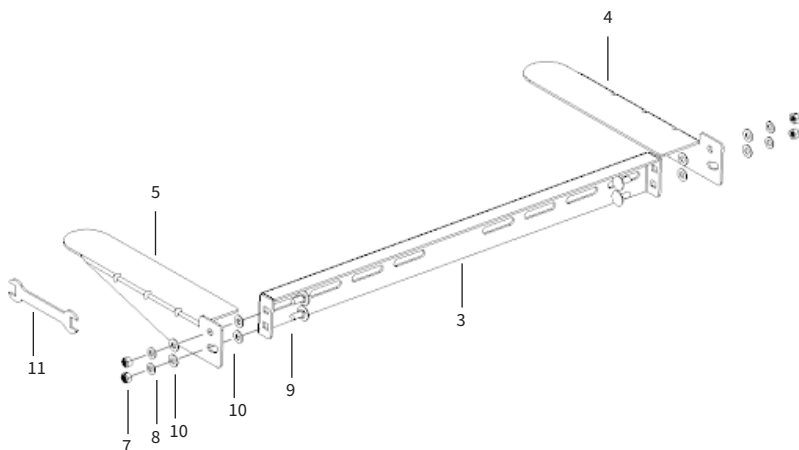
STEP 1

OPTION A: Below TV Mounting

Insert M6 bolts (9) through the sides of the horizontal bracket (3) making sure the screw thread is facing out, and place a plastic washer (10) on each one. Install the right and left support brackets (4, 5) by placing onto the bolts, then secure using another plastic washer, M6 washer (8) and M6 nut (7) on each bolt. Assemble with the open side of the horizontal bracket facing up for below TV mounting (Option A), or open side down for above TV mounting (Option B). Tighten with the wrench (11).



OPTION B: Above TV Mounting



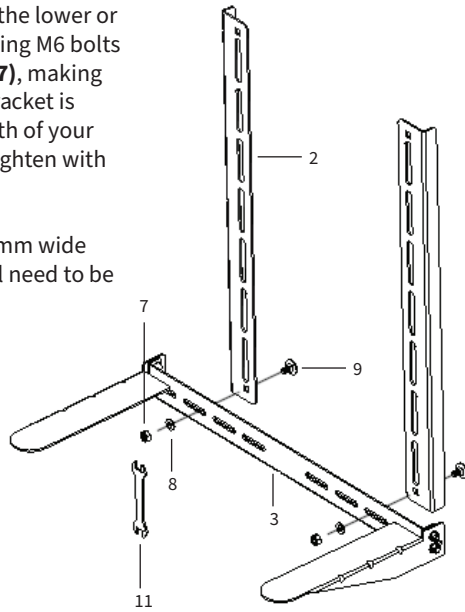
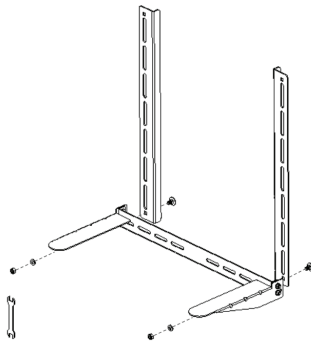
STEP 2

OPTION A: Below TV Mounting

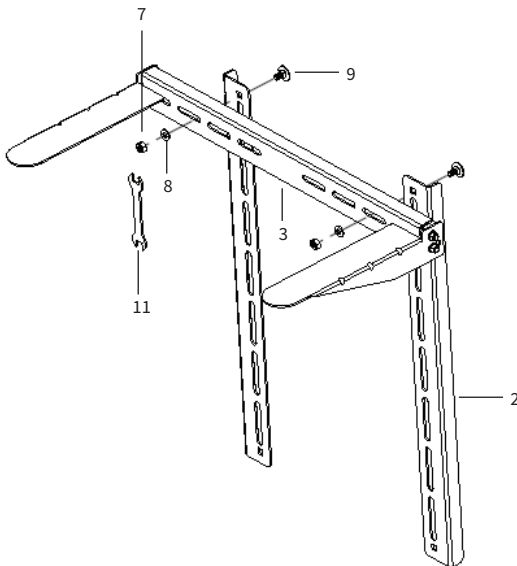
Assemble the horizontal bracket (3) to the lower or upper holes of the VESA brackets (2) using M6 bolts (9), x2 M6 washers (8) and x2 M6 nuts (7), making sure the small flat side on each VESA bracket is facing out. Adjust according to the width of your TV's VESA mounting hole pattern and tighten with the wrench (11).

NOTE: Only if mounting to TV with 400mm wide VESA pattern, the VESA brackets (2) will need to be flipped as shown.

400mm Wide VESA Pattern

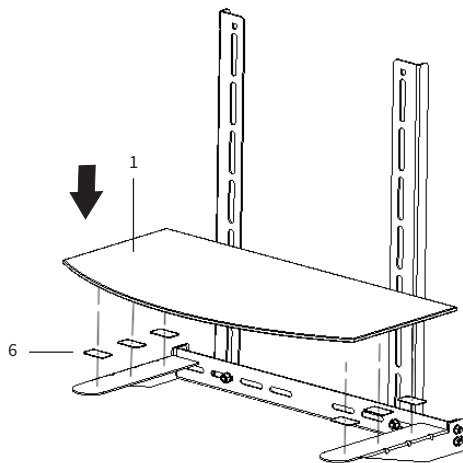
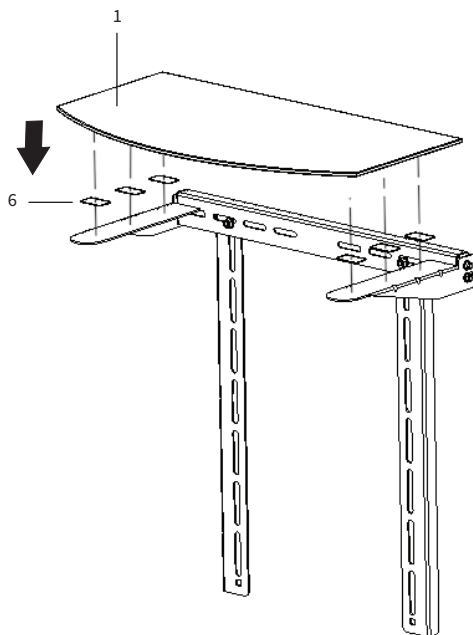


OPTION B: Above TV Mounting



OPTION A: Below TV Mounting

Apply x3 adhesive pads (**6**) to the top of each support bracket, then place the shelf (**1**) on top, making sure the shelf is straight and centered.

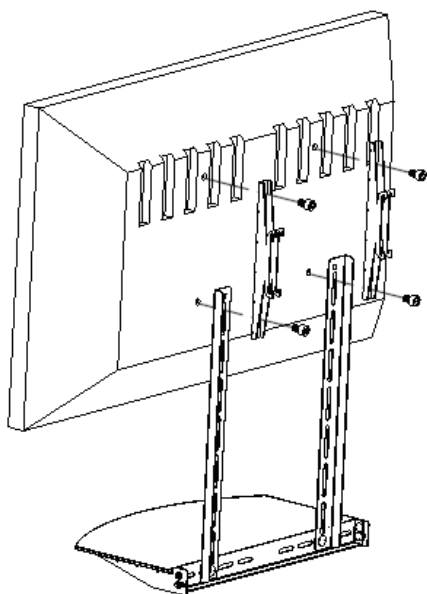
**OPTION B:
Above
TV Mounting**

STEP 4

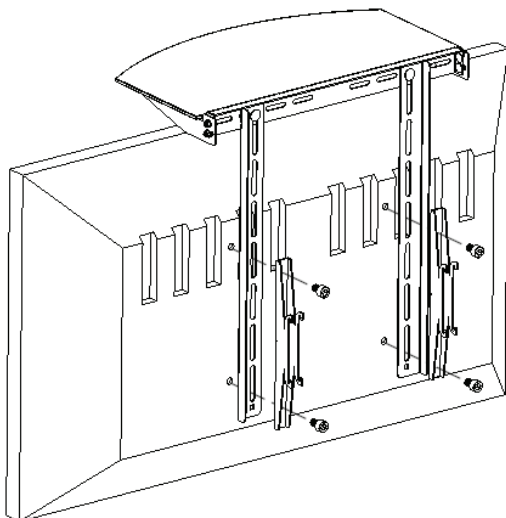
OPTION A: Below TV Mounting

Mount the assembled shelf to the TV. If TV will be installed to a VESA mount, place the shelf brackets between the TV and VESA mount. (Please note, mounting screws are not included with the shelf).

NOTE: Only if mounting to TV with 400mm wide VESA pattern, some VESA mounts will require the shelf brackets to be installed behind the VESA mount.



OPTION B: Above TV Mounting

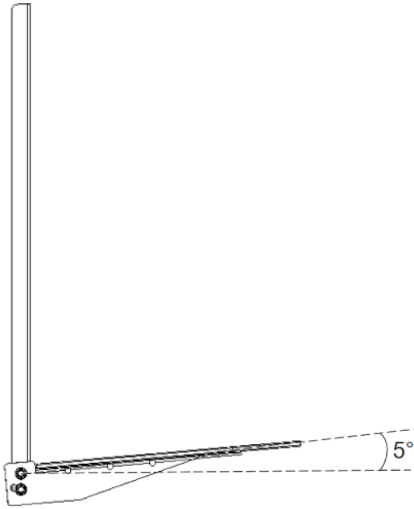


STEP 5

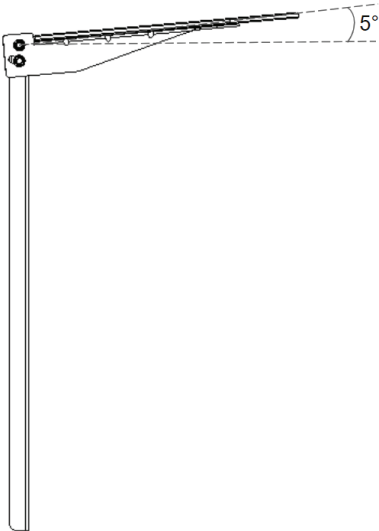
OPTION A: Below TV Mounting

To adjust the tilt angle, loosen the lower M6 nut on each side, adjust to desired angle, then re-tighten.

NOTE: It is recommended to set 5 degrees above the desired tilt to compensate for any bracket settling



OPTION B: Above TV Mounting





Open **Monday - Friday 7:00am - 7:00pm** CST,
our dedicated support team can offer immediate assistance with rapid response times. If any parts are received damaged or defective, please contact us. We are happy to replace parts to ensure you have a fully functioning product.


 help@vivo-us.com

AVG. RESPONSE TIME (*within office hrs*): **1HR 8M**

- 23% within < 15m
- 38% within < 30m
- 61% within < 1hr
- 83% within < 2hr
- 92% within < 3hr

 www.vivo-us.com
Chat live with an agent!

AVG. RESOLUTION TIME (*within office hrs*): **< 15 M**

 309-278-5303

AVG. RESOLUTION TIME (*within office hrs*): **5M 4S**