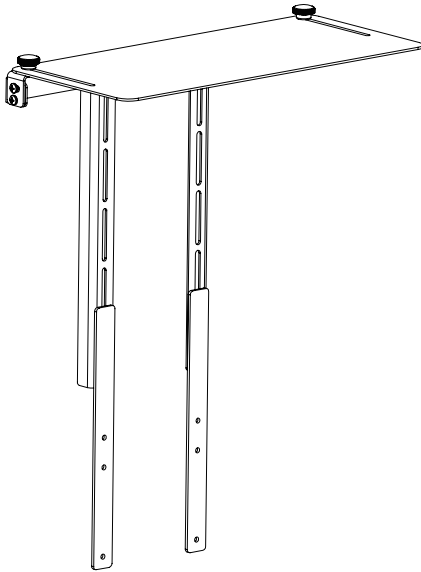




Black Over/Under VESA Monitor Shelf Instruction Manual



SKU: MOUNT-SF01M



Scan the QR code with your mobile device or follow the link for helpful videos and specifications related to this product.

<https://vivo-us.com/products/mount-sf01m>

GET IN TOUCH | Monday-Friday from 7:00am-7:00pm CST



help@vivo-us.com



www.vivo-us.com
Chat live with an agent!



309-278-5303

WARNING!

If you do not understand these directions, or if you have any doubts about the safety of the installation, please call a qualified technician. Check carefully to make sure there are no missing or defective parts. Improper installation may cause damage or serious injury. Do not use this product for any purpose that is not explicitly specified in this manual. Do not exceed weight capacity. We cannot be liable for damage or injury caused by improper mounting, incorrect assembly or inappropriate use.

WARNING: CHOKING HAZARD

SMALL PARTS - NOT FOR CHILDREN UNDER 3 YEARS. ADULT SUPERVISION IS REQUIRED.

PACKAGE CONTENTS



A (x1)
Shelf



B (x1)
VESA Bracket Set



S-A (x2)
M6 Carrige Bolt



S-B (x2)
M6 Nut



M-A (x4)
M4x12 Screw



M-B (x4)
M4x30 Screw



M-C (x4)
M4 Spacer



T-A (x1)
Closed Wrench



T-B (x1)
Bubble Level

Some hardware may not be used

DO NOT EXCEED WEIGHT CAPACITY.

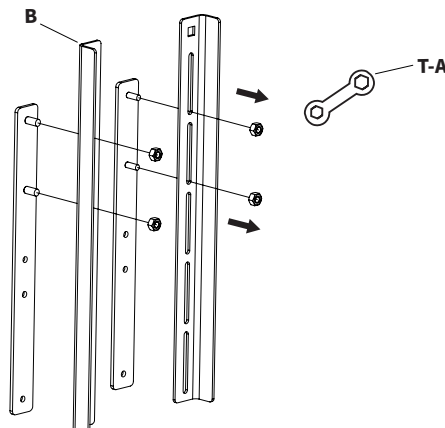


Failure to do so may result in serious injury.

ASSEMBLY STEPS

STEP 1

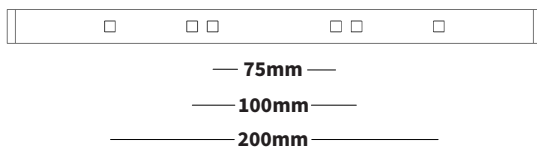
Remove and set aside the Extension Plates from the VESA Bracket Set (**B**) using the Closed Wrench (**T-A**).



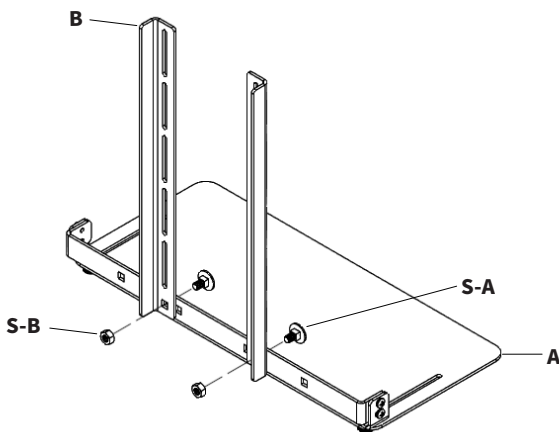
STEP 2

Attach the VESA Bracket Set (**B**) to the Shelf (**A**) using M6 Carrige Bolts (**S-A**) and M6 Nuts (**S-B**). Tighten with the Closed Wrench (**T-A**).

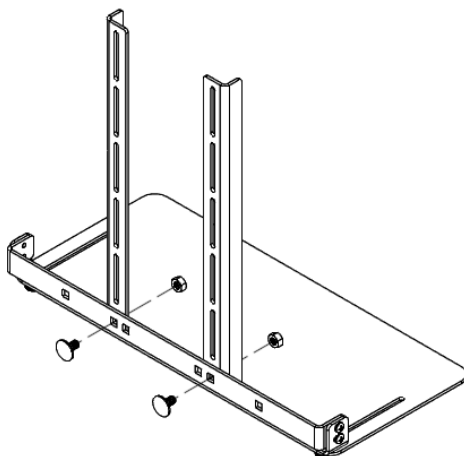
NOTE: The attachment location will depend on your monitors VESA pattern and mounting orientation. This mount is compatible with 75mm, 100mm, and 200mm wide VESA patterns.



Option A: Under Monitor Mounting



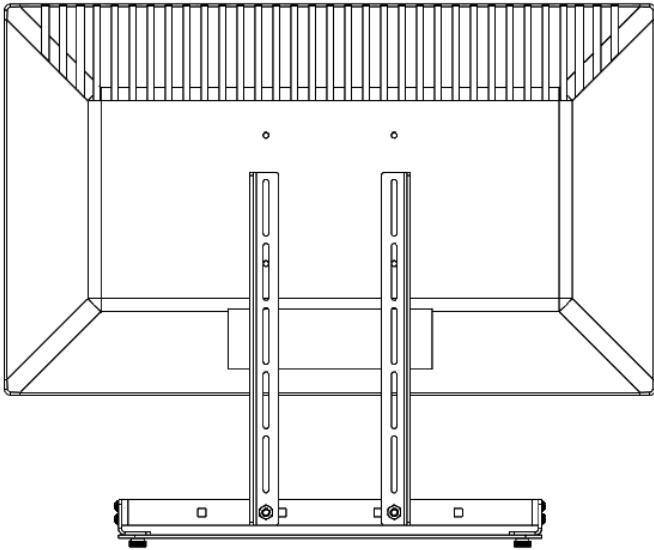
Option B: Over Monitor Mounting



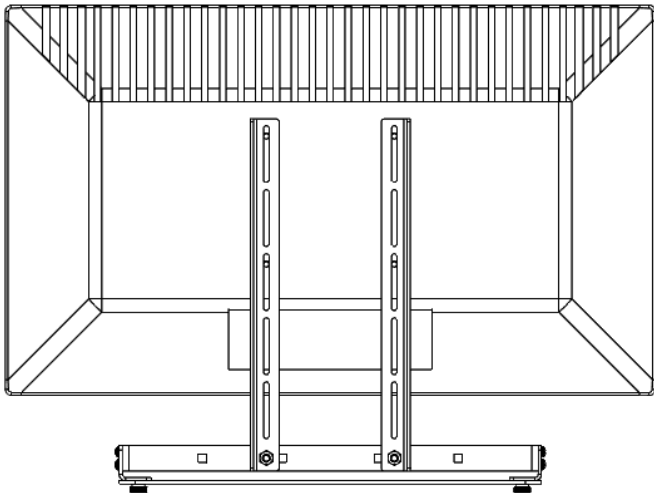
STEP 3

Determine if the extension plates are needed by aligning the VESA brackets with the VESA pattern on the back of the monitor and positioning the shelf in desired orientation. If all four VESA holes are within the slots then extension brackets are not needed

**Extension plates
are needed**



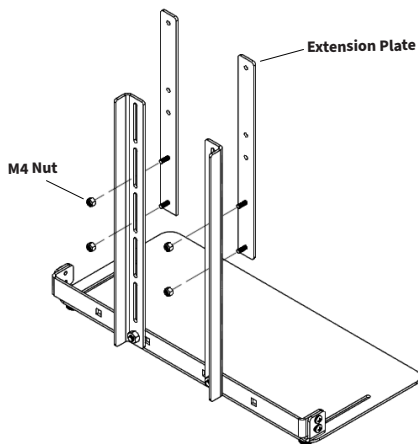
**Does not need
extension plates**



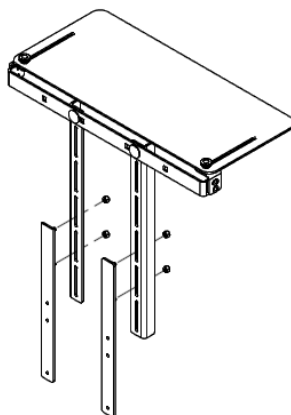
STEP 4

If extension plates are needed, reattach the extension plates to the VESA Bracket Set (B) using the M4 nuts that were set aside earlier. Tighten with the Closed Wrench (T-A).

OPTION A: Under Monitor Mounting



OPTION B: Over Monitor Mounting

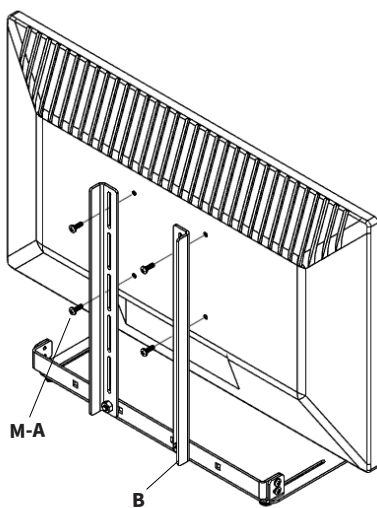


STEP 5

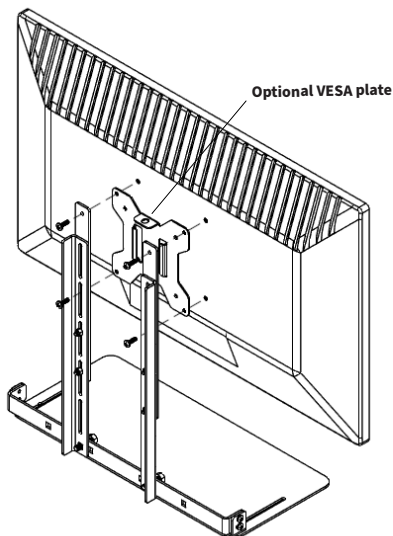
OPTION A: Under Monitor Mounting

Attach VESA Bracket Set (B) using M4x12 Screws (M-A) and a phillips screwdriver. If needed, use M4x30 Screws (M-B) and M4 Spacers (M-C) to offset monitor.

Example with only VESA Brackets



Example with VESA Brackets, Extension Plates, and VESA Plate

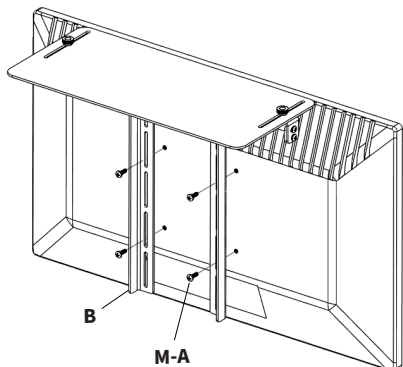


STEP 5 (Cont.)

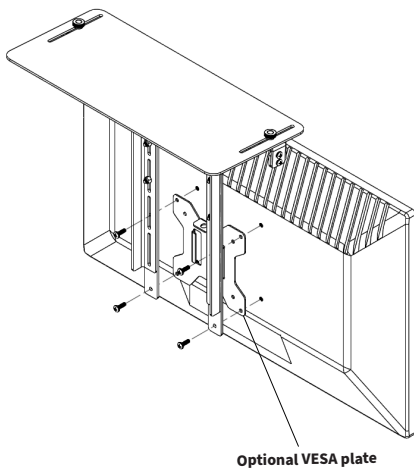
OPTION B: Over Monitor Mounting

Attach VESA Bracket Set (B) using M4x12 Screws (M-A) and a phillips screwdriver. If needed, use M4x30 Screws (M-B) and M4 Spacers (M-C) to offset monitor.

Example with only VESA Brackets

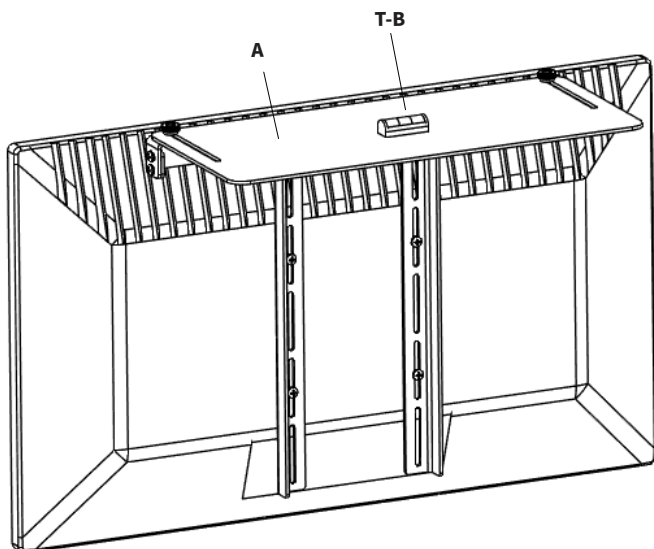


Example with VESA Brackets, Extension Plates, and VESA Plate



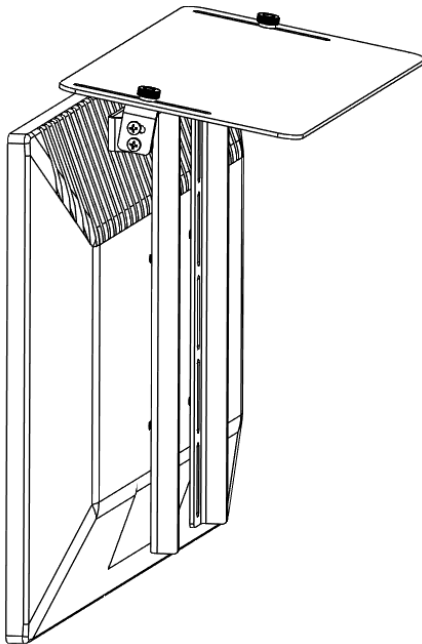
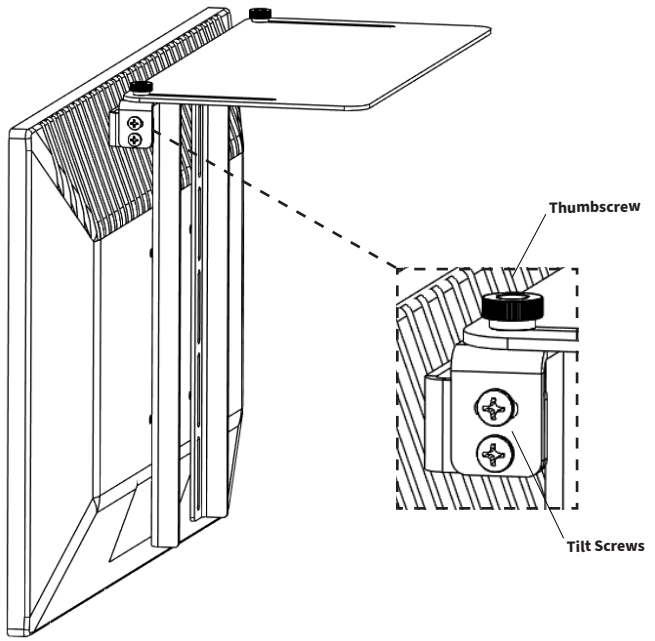
STEP 6

Use Bubble Level (T-B) if needed to level Shelf (A). Loosen VESA screws and independently adjust each VESA bracket to level out the shelf then retighten screws.



STEP 7

Loosen tilt screws to adjust the angle of the shelf and retighten with a phillips screwdriver. To adjust shelf location, loosen both thumbscrews and slide the shelf along the slots and retighten.





Open **Monday - Friday 7:00am - 7:00pm** CST,
our dedicated support team can offer immediate assistance with rapid response times. If any parts are received damaged or defective, please contact us. We are happy to replace parts to ensure you have a fully functioning product.



309-278-5303

AVG. RESOLUTION TIME (*within office hrs*): **5M 4S**



www.vivo-us.com
Chat live with an agent!

AVG. RESOLUTION TIME (*within office hrs*): **< 15 M**



help@vivo-us.com

AVG. RESPONSE TIME (*within office hrs*): **1HR 8M**

- 23% within < 15m
- 38% within < 30m
- 61% within < 1hr
- 83% within < 2hr
- 92% within < 3hr