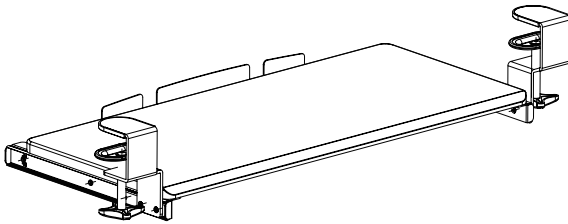




Clamp and Rail Set for Custom Wood Tray - 2 Pack Instruction Manual



SKU: MOUNT-RAIL02



Scan the QR code with your mobile device or follow the link for helpful videos and specifications related to this product.

<https://vivo-us.com/products/mount-rail02>

GET IN TOUCH | Monday-Friday from 7:00am-7:00pm CST



help@vivo-us.com



www.vivo-us.com
Chat live with an agent!



309-278-5303

WARNING!

If you do not understand these directions, or if you have any doubts about the safety of the installation, please call a qualified technician. Check carefully to make sure there are no missing or defective parts. Improper installation may cause damage or serious injury. Do not use this product for any purpose that is not explicitly specified in this manual. Do not exceed weight capacity. We cannot be liable for damage or injury caused by improper mounting, incorrect assembly or inappropriate use.

WARNING: CHOKING HAZARD

SMALL PARTS - NOT FOR CHILDREN UNDER 3 YEARS. ADULT SUPERVISION IS REQUIRED.

PACKAGE CONTENTS



A (x2)
Slider Track



B (x2)
Clamp



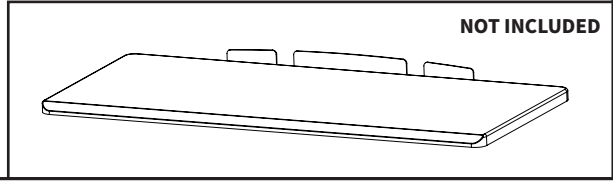
C (x6)
M4x7



D (x8)
ST5x12



E (x2)
Clamp Pad



NOT INCLUDED

TOOLS NEEDED



**Phillips
Screwdriver**



Drill



Pencil

NOTE: SOME HARDWARE INCLUDED MAY NOT BE USED.

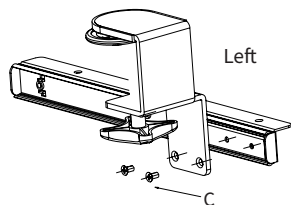
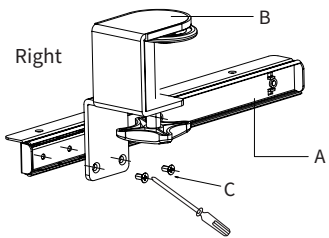
DO NOT EXCEED WEIGHT CAPACITY.
Failure to do so may result in serious injury.



ASSEMBLY STEPS

STEP 1

Assemble the slider brackets (**A**) to the clamps (**B**) using M4x7 screws (**C**). Tighten with a Phillips screwdriver.

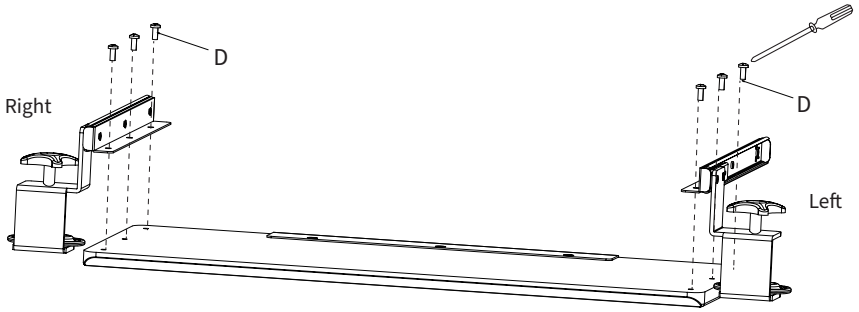


NOTE: Rails (A) and Clamps (B) should be paired with the corresponding "L" and "R" stickers.

STEP 2

Place the slider rails **(A)** on the underside of the keyboard tray, making sure the front of the rails are flush with the front edge of the keyboard tray, and mark drilling locations. Drill $\frac{3}{8}$ " (10mm) deep holes using a $\frac{1}{8}$ " (3mm) drill bit, then mount the slider rails to the keyboard tray using ST5x12 screws **(D)**. Tighten with a Phillips screwdriver.

NOTE: We recommend using a tray with a depth of no less than 10.5", and a thickness of at least $\frac{5}{8}$ ".



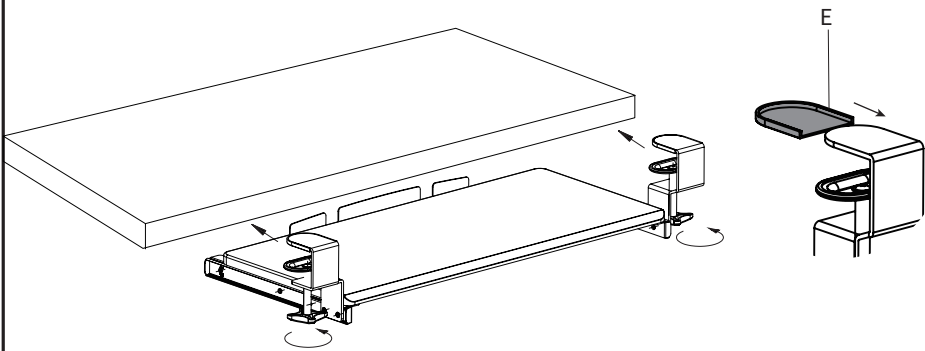
NOTE: Rails **(A)** and Clamps **(B)** should be paired with the corresponding "L" and "R" stickers.

STEP 3

Place the clamp pads **(E)** on the underside of each clamp **(B)** as shown. Place assembled keyboard mount on edge of desk and tighten clamps.

NOTE: To ensure keyboard tray is level, do not over-tighten clamps.

Slide keyboard tray forward/back to desired position.





Open **Monday - Friday 7:00am - 7:00pm** CST,
our dedicated support team can offer immediate assistance with rapid response times. If any parts are received damaged or defective, please contact us. We are happy to replace parts to ensure you have a fully functioning product.



309-278-5303

AVG. RESOLUTION TIME (*within office hrs*): **5M 4S**



www.vivo-us.com
Chat live with an agent!

AVG. RESOLUTION TIME (*within office hrs*): **< 15 M**



help@vivo-us.com

AVG. RESPONSE TIME (*within office hrs*): **1HR 8M**

- 23% within < 15m
- 38% within < 30m
- 61% within < 1hr
- 83% within < 2hr
- 92% within < 3hr