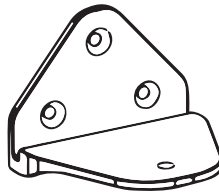
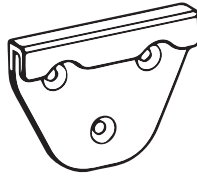




2-in-1 (Wall & Desk) Mount Designed for PS5 Instruction Manual



SKU: MOUNT-PS5C



Scan the QR code with your mobile device or follow the link for helpful videos and specifications related to this product.

<https://vivo-us.com/products/mount-ps5c>

GET IN TOUCH | Monday-Friday from 7:00am-7:00pm CST



help@vivo-us.com



www.vivo-us.com
Chat live with an agent!



309-278-5303

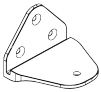
WARNING!

If you do not understand these directions, or if you have any doubts about the safety of the installation, please call a qualified technician. Check carefully to make sure there are no missing or defective parts. Improper installation may cause damage or serious injury. Do not use this product for any purpose that is not explicitly specified in this manual. Do not exceed weight capacity. We cannot be liable for damage or injury caused by improper mounting, incorrect assembly or inappropriate use.

WARNING: CHOKING HAZARD

SMALL PARTS - NOT FOR CHILDREN UNDER 3 YEARS. ADULT SUPERVISION IS REQUIRED.

PACKAGE CONTENTS



A (x1)
Base Bracket



B (x1)
Hook Bracket



C (x1)
Mounting Template



M-A (x6)
ST5x30mm
Screw



M-B (x6)
ST5x16mm
Screw



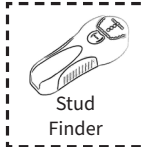
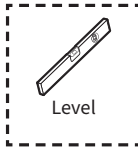
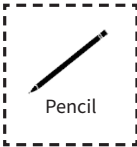
M-C (x6)
Drywall Anchor



M-D (x1)
M3 Security Bolt

NOTE: SOME HARDWARE INCLUDED MAY NOT BE USED

TOOLS NEEDED



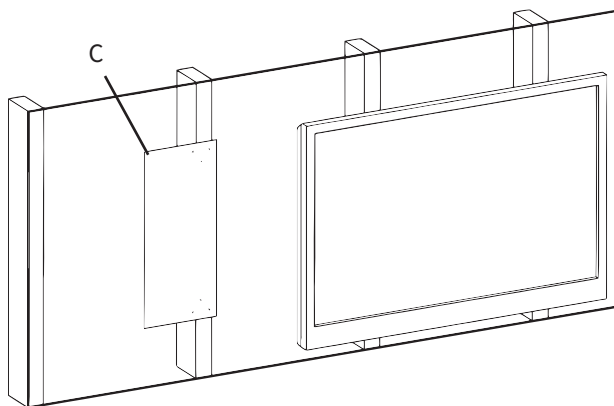
ASSEMBLY STEPS

STEP 1

OPTION A: Stud Installation

Tape Mounting Template (C) against a wall at desired location and mark drilling locations with a pencil. Use of a level and a stud finder is recommended. Up to 2 holes per bracket can be used with a stud, one hole must be mounted with a drywall anchor.

Note: The Disc Edition can only be mounted with the front of the console facing left and the back facing right. So, it is recommended to only mount on the left side of a TV for cable management purposes.

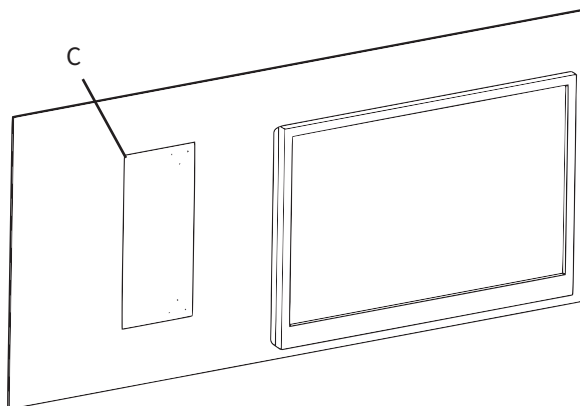


STEP 1 (Continued)

OPTION B: Drywall Installation

Tape Mounting Template (C) against a wall at desired location and mark drilling locations with a pencil. Use of a level and a stud finder is recommended.

Note: The Disc Edition can only be mounted with the front of the console facing left and the back facing right. So, it is recommended to only mount on the left side of a TV for cable management purposes.

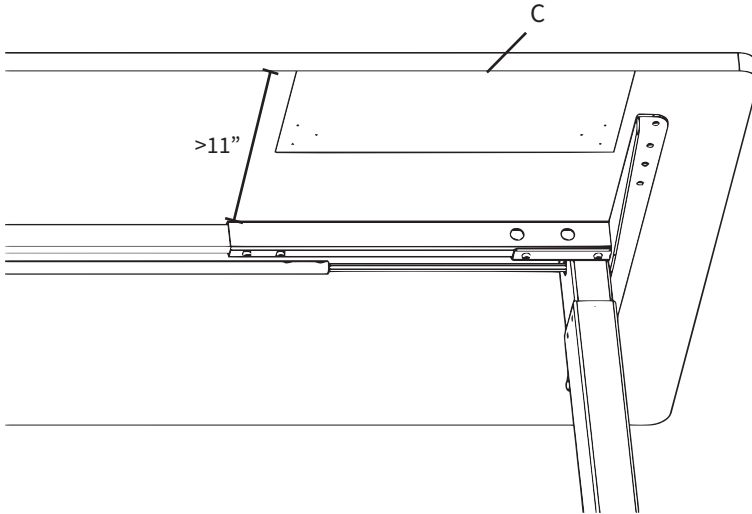


STEP 1 (Continued)

OPTION C: Under Desk Installation

Align Mounting Template (C) with the front edge of the desktop with the holes placed away from the edge. Tape Mounting Template (C) against the underside of the desktop at desired location and mark drilling locations with a pencil.

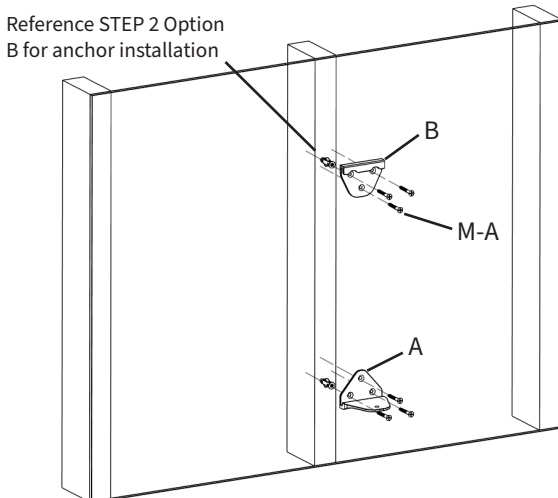
You must have at least 11" (27.9cm) of depth from the front edge of the desktop to ensure the PS5 will fit without hitting any frame structure.



STEP 2

OPTION A: Stud Installation

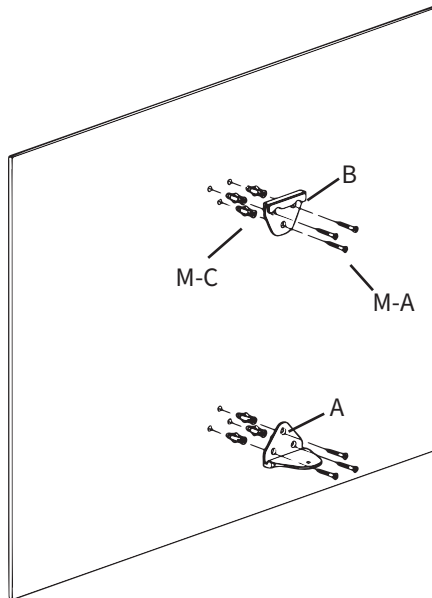
Drill 1" (25mm) deep holes into the stud using a 3/32" (2.5mm) drill bit. Follow Step 2 Drywall Installation for the remaining mounting holes. Install Base Bracket (A) and Hook Bracket (B) to the wall using ST5x30mm Screws (M-A) with a Phillips Screwdriver.



STEP 2 (Continued)

OPTION B: Drywall Installation

Using a 5/16" (8mm) bit, drill fully through the drywall. Insert the Drywall Anchors (**M-C**) in the holes. Install Base Bracket (**A**) and Hook Bracket (**B**) to the wall using ST5x30mm Screws (**M-A**) with a Phillips Screwdriver.

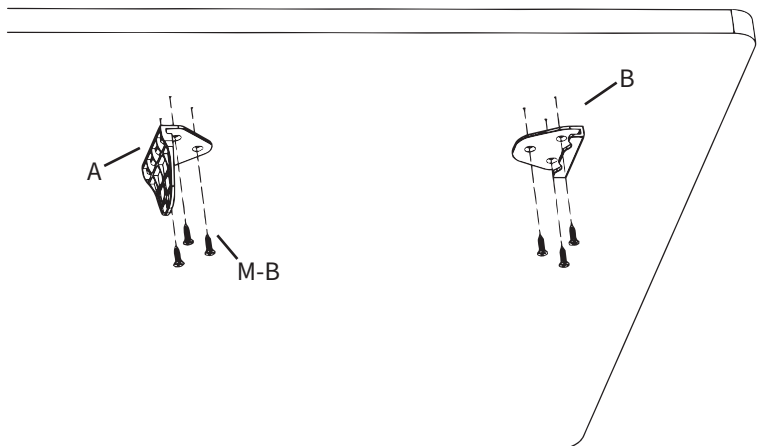


STEP 2 (Continued)

OPTION C: Under Desk Installation

Using a 3/32" (2.5mm) bit, drill 3/8" (10mm) deep holes into the desktop. Install Base Bracket (**A**) and Hook Bracket (**B**) to the desk using ST5x16mm Screws (**M-B**) with a Phillips Screwdriver.

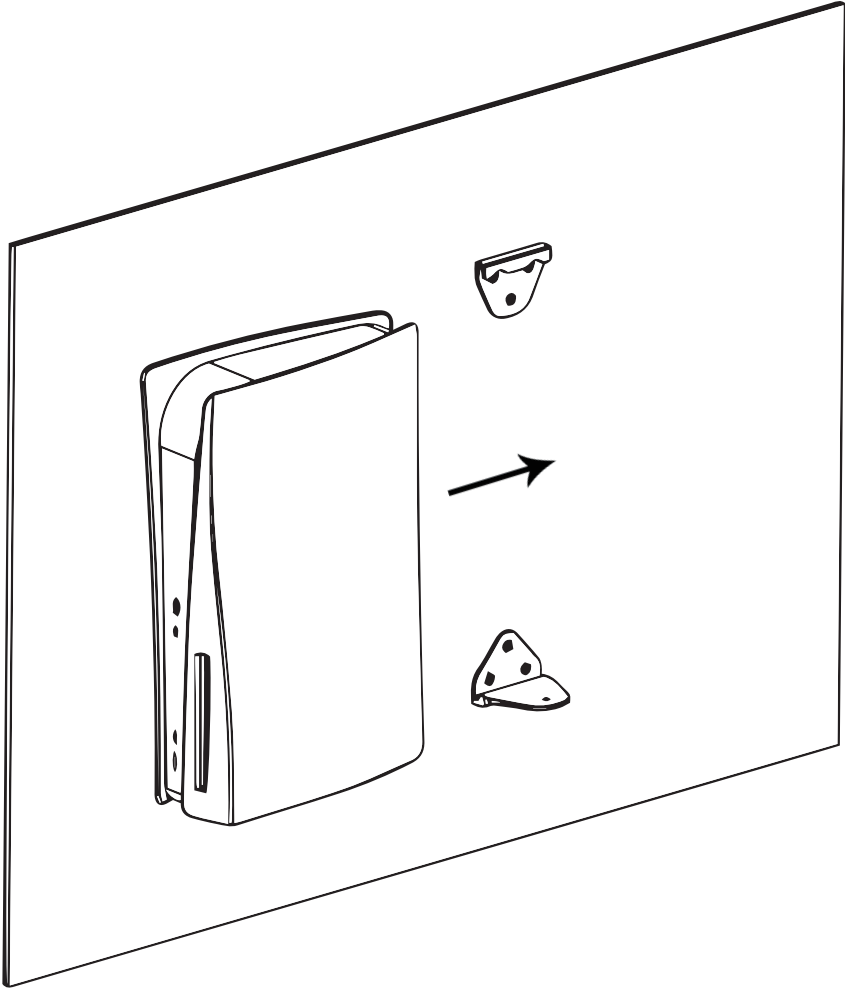
Note: Base Bracket (**A**) must be placed on the left side when mounting under a desk.



STEP 3

OPTION A: Wall Installation

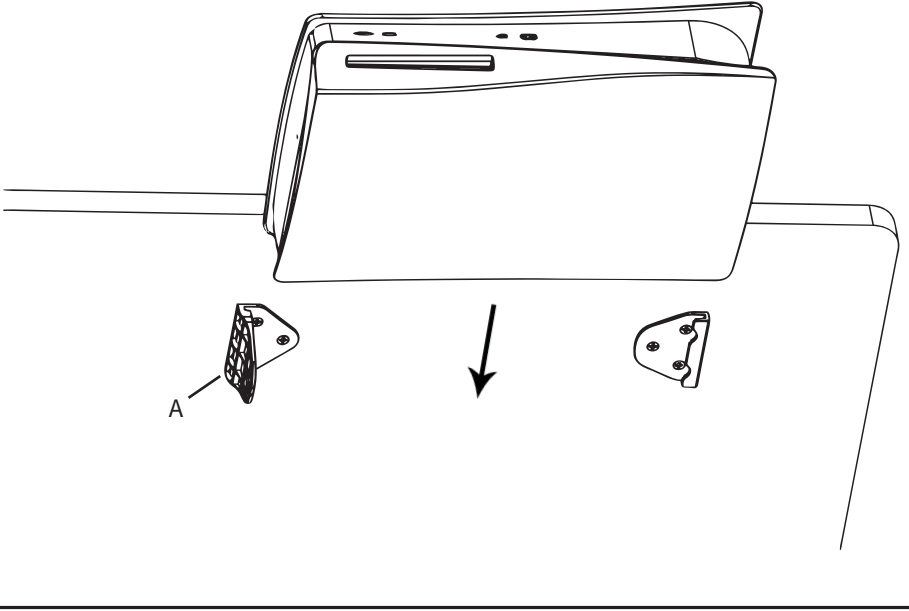
Slide the PS5, back first, onto the mount making sure the left panel is being grabbed by both brackets. The panel will flex to provide a tight fit.



STEP 3 (Continued)

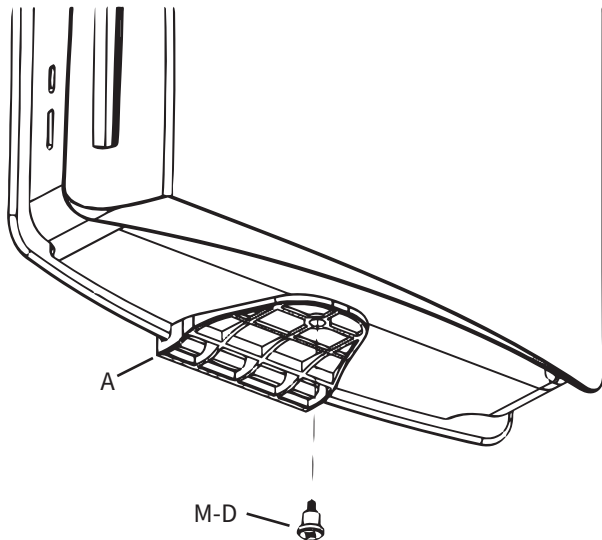
OPTION B: Under Desk Installation

Slide the PS5, back first, onto the mount making sure the panel is being grabbed by both brackets and the base of the console is facing left towards Base Bracket **(A)**. The panel will flex to provide a tight fit.



STEP 4

Install M3 Security Bolt **(M-D)** to the base of the PS5 through Base Bracket **(A)**.





Open **Monday - Friday 7:00am - 7:00pm** CST,
our dedicated support team can offer immediate assistance with rapid response times. If any parts are received damaged or defective, please contact us. We are happy to replace parts to ensure you have a fully functioning product.



309-278-5303

AVG. RESOLUTION TIME (*within office hrs*): **5M 4S**



www.vivo-us.com
Chat live with an agent!

AVG. RESOLUTION TIME (*within office hrs*): **< 15 M**



help@vivo-us.com

AVG. RESPONSE TIME (*within office hrs*): **1HR 8M**

- 23% within < 15m
- 38% within < 30m
- 61% within < 1hr
- 83% within < 2hr
- 92% within < 3hr