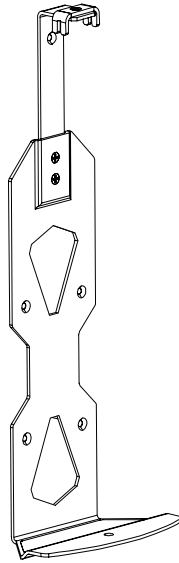




---

## Black Wall Mount Designed for PS5

### Instruction Manual



**SKU: MOUNT-PS5B**



Scan the QR code with your mobile device or follow the link for helpful videos and specifications related to this product.

<https://vivo-us.com/products/mount-ps5b>

---

GET IN TOUCH | Monday-Friday from 7:00am-7:00pm CST



help@vivo-us.com



www.vivo-us.com  
*Chat live with an agent!*



309-278-5303

# **WARNING!**

If you do not understand these directions, or if you have any doubts about the safety of the installation, please call a qualified technician. Check carefully to make sure there are no missing or defective parts. Improper installation may cause damage or serious injury. Do not use this product for any purpose that is not explicitly specified in this manual. Do not exceed weight capacity. We cannot be liable for damage or injury caused by improper mounting, incorrect assembly or inappropriate use.

## **WARNING: CHOKING HAZARD**

SMALL PARTS - NOT FOR CHILDREN UNDER 3 YEARS.  
ADULT SUPERVISION IS REQUIRED.

### TOOLS NEEDED



## PACKAGE CONTENTS



**A** (x1)  
Mount



**B** (x1)  
Upper  
Bracket



**C** (x1)  
Retaining  
Clip



**D** (x3)  
M4x5  
Screw



**E** (x1)  
M3  
Security Bolt



**F** (x5)  
ST5x40mm  
Wall Screw

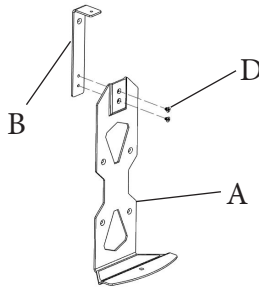


**G** (x5)  
Anchor

## ASSEMBLY STEPS

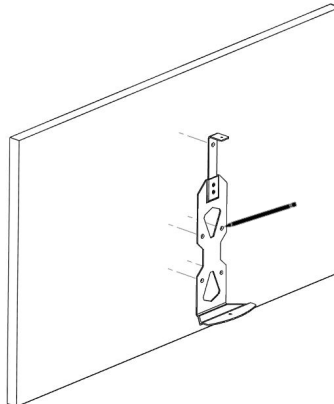
### STEP 1

Install Upper Bracket (**B**) to Mount (**A**) using M4x5 Screws (**D**) and a Phillips screwdriver.



### STEP 2

Place assembled mount against the wall at desired location and mark drilling locations with a pencil. Use of a level and a stud finder is recommended.

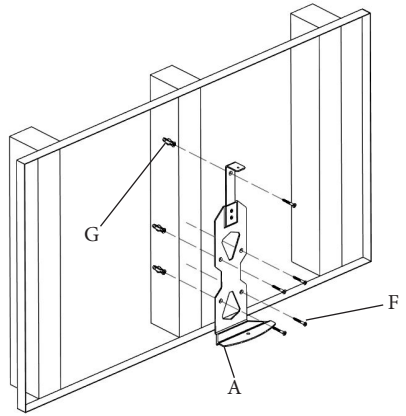


## STEP 3

### OPTION A: Wood Stud Installation

Drill 1.5" (38mm) deep holes using a 3/32" (2.5mm) drill bit. Follow drywall instructions below for all remaining mounting holes.

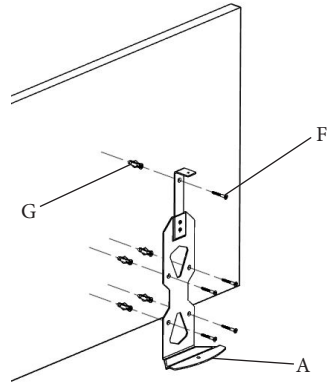
Install the mount to the wall using ST5x40mm screws (**F**) with a Phillips screwdriver.



### OPTION B: Drywall Installation

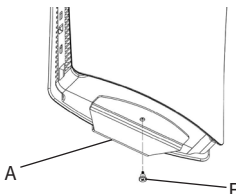
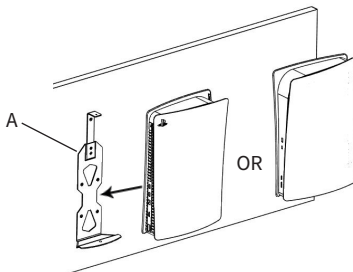
Using a 5/16" (8mm) bit, drill fully through the drywall. Insert the Anchors (**G**) in the holes.

Install the mount to the wall using ST5x40mm screws (**F**) with a Phillips screwdriver.



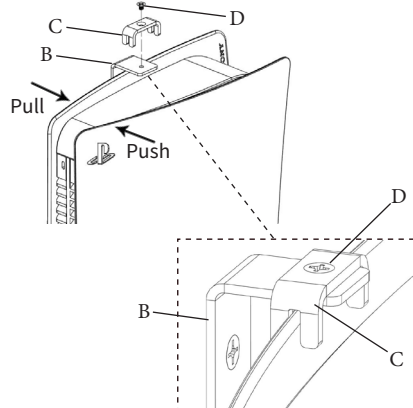
## STEP 4

Install PS5 onto the Mount (**A**). Secure the PS5 with the Security Bolt (**E**).



## STEP 5

Install Retaining Clip (**C**) to Upper Bracket (**B**) using M4x5 Screw (**D**). Depending on the model and mounting orientation, a light push or pull of the PS5 will be needed for the alignment of the panel and Retaining Clip (**C**).





Open **Monday - Friday 7:00am - 7:00pm** CST,  
our dedicated support team can offer immediate assistance with rapid response times. If any parts are received damaged or defective, please contact us. We are happy to replace parts to ensure you have a fully functioning product.


 [help@vivo-us.com](mailto:help@vivo-us.com)

**AVG. RESPONSE TIME** (*within office hrs*): **1HR 8M**

- 23% within < 15m
- 38% within < 30m
- 61% within < 1hr
- 83% within < 2hr
- 92% within < 3hr

 [www.vivo-us.com](http://www.vivo-us.com)  
*Chat live with an agent!*

**AVG. RESOLUTION TIME** (*within office hrs*): **< 15 M**

 309-278-5303

**AVG. RESOLUTION TIME** (*within office hrs*): **5M 4S**