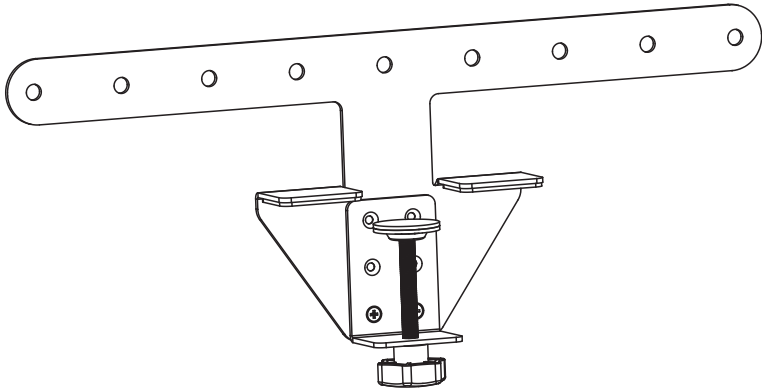




Power Strip/Surge Protector VESA Mount Instruction Manual



SKU: MOUNT-PS02V



Scan the QR code with your mobile device or follow the link for helpful videos and specifications related to this product.

<https://vivo-us.com/products/mount-ps02v>

GET IN TOUCH | Monday-Friday from 7:00am-7:00pm CST



help@vivo-us.com



www.vivo-us.com
Chat live with an agent!



309-278-5303

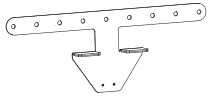
WARNING!

If you do not understand these directions, or if you have any doubts about the safety of the installation, please call a qualified technician. Check carefully to make sure there are no missing or defective parts. Improper installation may cause damage or serious injury. Do not use this product for any purpose that is not explicitly specified in this manual. Do not exceed weight capacity. We cannot be liable for damage or injury caused by improper mounting, incorrect assembly or inappropriate use.

WARNING: CHOKING HAZARD

SMALL PARTS - NOT FOR CHILDREN UNDER 3 YEARS. ADULT SUPERVISION IS REQUIRED.

PACKAGE CONTENTS



A (x1)
Mounting Bracket



B (x1)
Clamp



S-A (x2)
M4x5mm Screws



M-A (x4)
M4x14mm Screws



M-B (x4)
M5x14mm Screws



M-C (x4)
M6x14mm Screws



M-D (x4)
M8x20mm Screws



M-E (x4)
M5 Washer



M-F (x4)
M8 Washer



M-G (x2)
Small M8 Washer

TOOLS NEEDED



NOTE: SOME HARDWARE INCLUDED MAY NOT BE USED

DO NOT EXCEED WEIGHT CAPACITY.

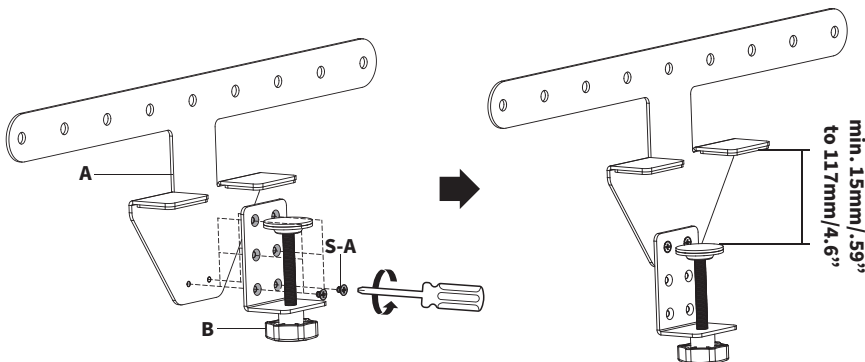
Failure to do so may result in serious injury.

**2.2lbs
(1kg)**

ASSEMBLY STEPS

STEP 1

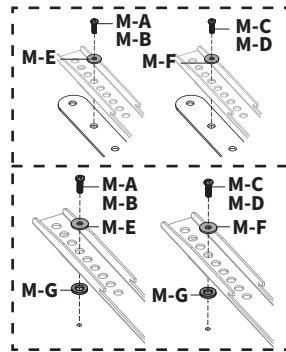
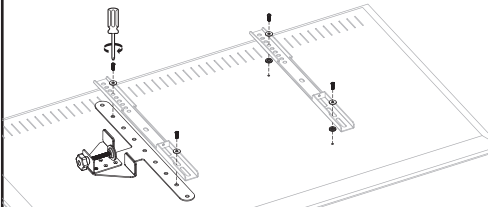
Connect Clamp (**B**) to Mounting Bracket (**A**) using M4x5mm Screws (**S-A**) and a Phillips screwdriver. Mounting holes on Clamp (**B**) can be select based on the desired spacing of opening for power strip.



STEP 2 - MOUNTING OPTIONS

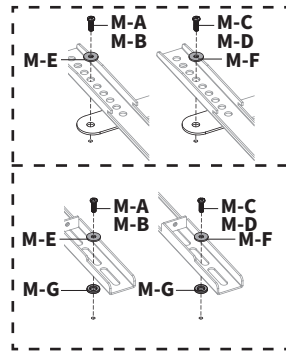
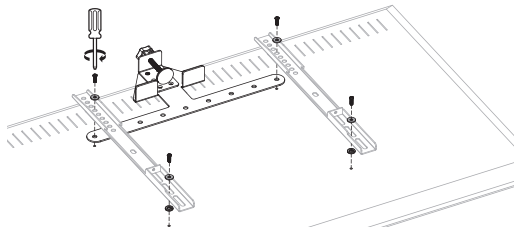
VESA Brackets - Left or Right Side:

Mount assembly under left or right TV mount's VESA bracket using appropriate Screws (**M-A thru M-B**), Washers (**M-E or M-F**), and a Phillips screwdriver. Install TV mount's second VESA bracket using appropriate Screws (**M-A thru M-B**), Washers (**M-E or M-F**), Small M8 Washer (**M-G**), and a Phillips screwdriver.



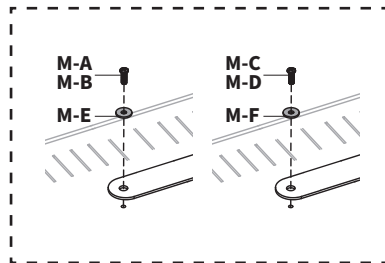
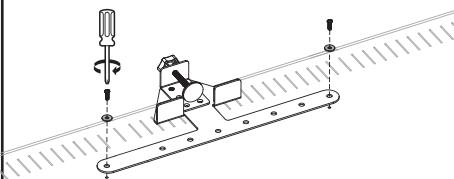
VESA Brackets - Top:

Mount assembly under top of TV mount's VESA bracket using appropriate Screws (**M-A thru M-B**), Washers (**M-E or M-F**), and a Phillips screwdriver for top portion. Secure bottom of VESA brackets using appropriate Screws (**M-A thru M-B**), Washers (**M-E or M-F**), Small M8 Washer (**M-G**), and a Phillips screwdriver.



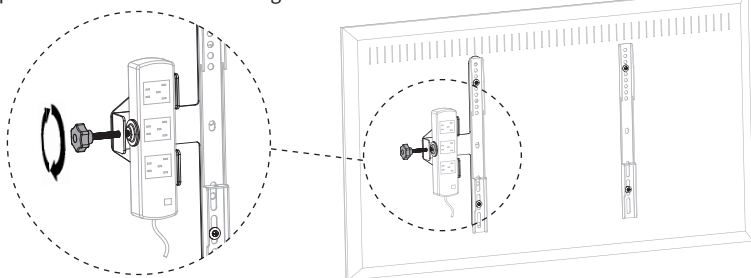
Freestanding TV Mount

Mount assembly directly to VESA holes on back of TV using appropriate Screws (**M-A thru M-D**), Washers (**M-E or M-F**) and a Phillips screwdriver.



STEP 3

Place power strip into assembled mount and tighten hand bolt on Clamp (**B**).





Love your new VIVO setup and want to share?
Tag us in your photo! [@vivo_us](#)

LAST UPDATED: 01/16/2023
REV1



Open **Monday - Friday 7:00am - 7:00pm** CST,
our dedicated support team can offer immediate assistance with rapid response times. If any parts are received damaged or defective, please contact us. We are happy to replace parts to ensure you have a fully functioning product.



www.vivo-us.com
Chat live with an agent!

AVG. RESOLUTION TIME (*within office hrs*): **< 15 M**



309-278-5303

AVG. RESOLUTION TIME (*within office hrs*): **5M 4S**



help@vivo-us.com

AVG. RESPONSE TIME (*within office hrs*): **1HR 8M**

- 23% within < 15m
- 38% within < 30m
- 61% within < 1hr
- 83% within < 2hr
- 92% within < 3hr

FOR MORE VIVO PRODUCTS, CHECK OUT OUR WEBSITE AT: www.vivo-us.com