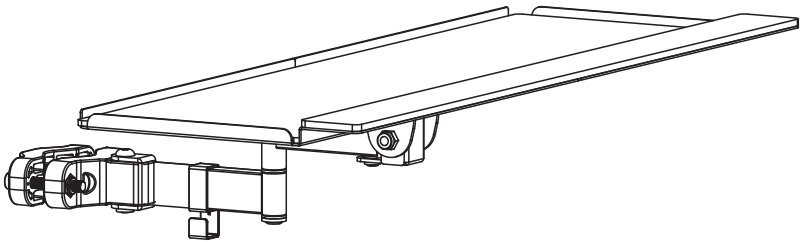




Black Pole Mount Tilting Keyboard Tray

Instruction Manual



SKU: MOUNT-POLEKB



Scan the QR code with your mobile device or follow the link for helpful videos and specifications related to this product.

<https://vivo-us.com/products/mount-polekb>

GET IN TOUCH | Monday-Friday from 7:00am-7:00pm CST



help@vivo-us.com



www.vivo-us.com
Chat live with an agent!



309-278-5303

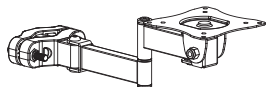
WARNING!

If you do not understand these directions, or if you have any doubts about the safety of the installation, please call a qualified technician. Check carefully to make sure there are no missing or defective parts. Improper installation may cause damage or serious injury. Do not use this product for any purpose that is not explicitly specified in this manual. Do not exceed weight capacity. We cannot be liable for damage or injury caused by improper mounting, incorrect assembly or inappropriate use.

WARNING: CHOKING HAZARD

SMALL PARTS - NOT FOR CHILDREN UNDER 3 YEARS. ADULT SUPERVISION IS REQUIRED.

PACKAGE CONTENTS



A (x1)
Arm



B (x1)
Right Tray



C (x1)
Left Tray



D (x1)
Connecting Plate



E (x1)
Mouse Pad



F (x1)
Wrist Pad



G (x1)
Cable Clip



S-A (x4)
M4x8mm Screw



S-B (x4)
M4x12mm Screw



S-C (x4)
M4 Nut



S-D (x2)
M8x70mm Screw



T-A (x1)
6mm Allen Wrench



T-B (x1)
Wrench

TOOLS NEEDED

NOTE: SOME HARDWARE MAY NOT BE USED



DO NOT EXCEED WEIGHT CAPACITY.

Failure to do so may result in serious injury.

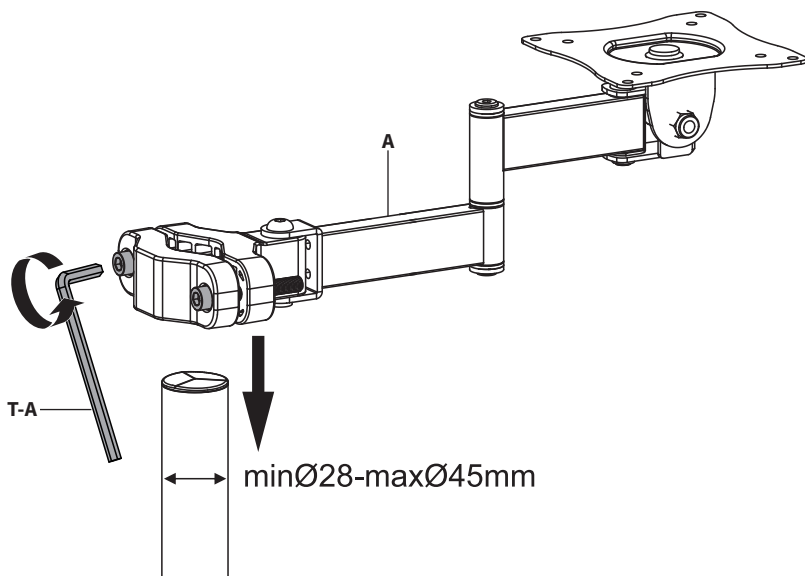


ASSEMBLY STEPS

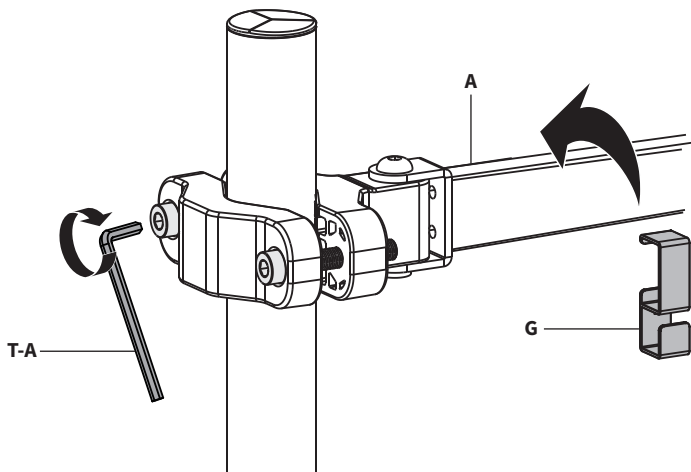
STEP 1 (Option A)

28mm-45mm Diameter Poles

Loosen the bolts on Arm (A) using 6mm Allen Wrench (T-A) and slide onto the pole.



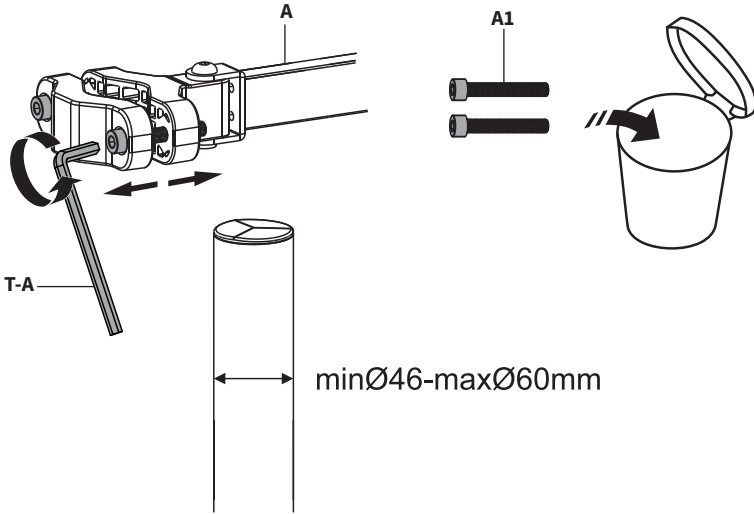
Tighten bolts using 6mm Allen Wrench (T-A). Apply Cable Clip (G) to Arm (A).



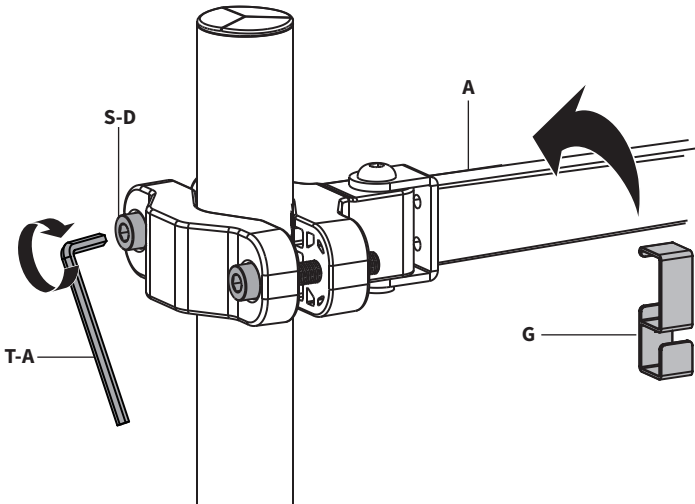
STEP 1 (Option B)

46mm-60mm Diameter Poles

For pole sizes larger than 45mm, swap pre-installed bolts (**A1**) with M8x70mm Screws (**S-D**) using 6mm Allen Wrench (**T-A**) and slide Arm (**A**) onto the pole.

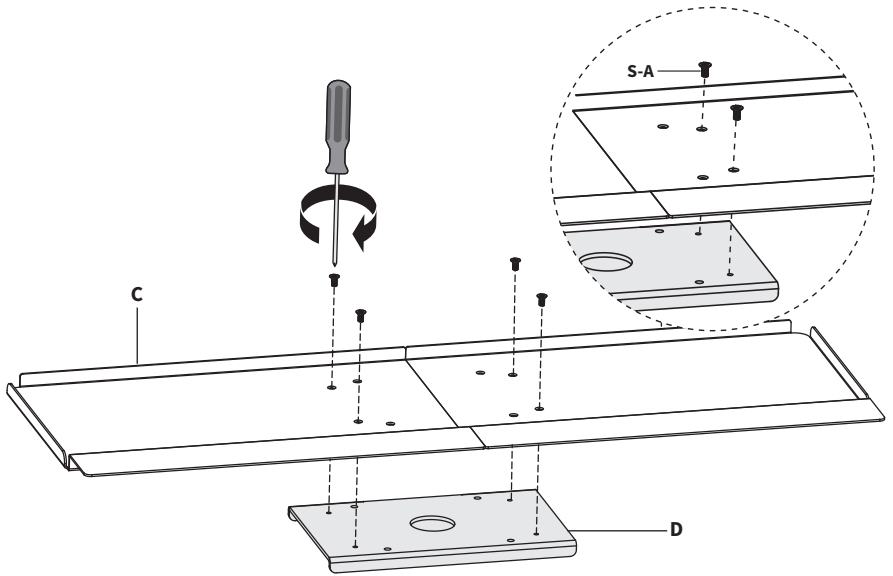


Tighten M8x70mm Screws (**S-D**) using 6mm Allen Wrench (**T-A**). Apply Cable Clip (**G**) to Arm (**A**).

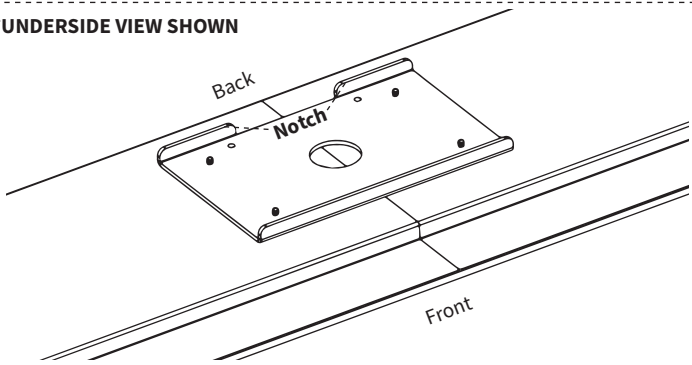


STEP 2

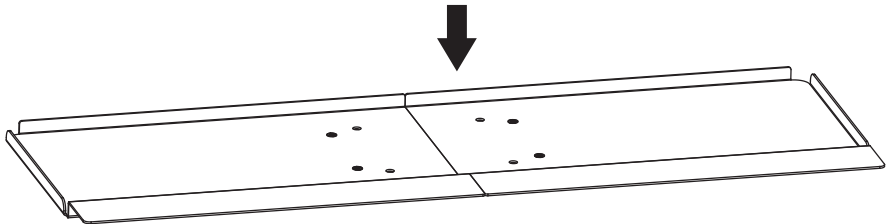
Attach Left Tray (C) and Right Tray (B) with Connecting Plate (D) using M4x8mm Screws (S-A) and a Phillips screwdriver.



***UNDERSIDE VIEW SHOWN**

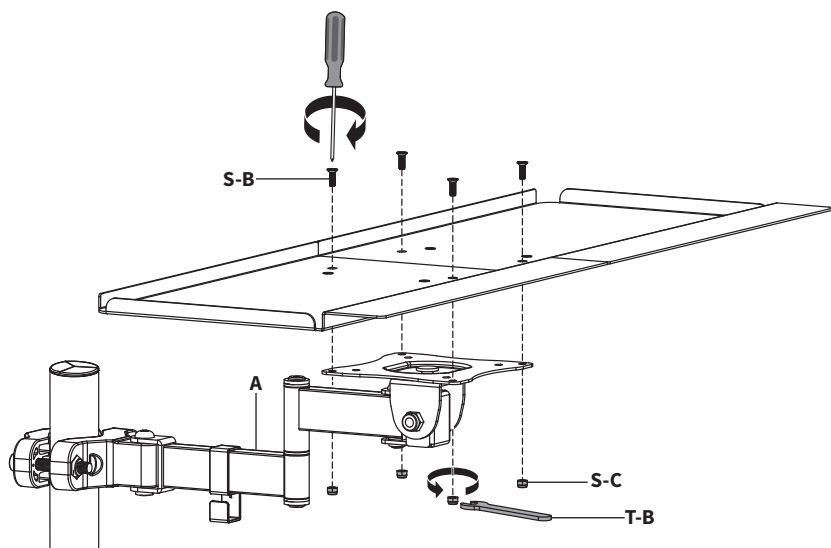


NOTE: The Notch in Connecting Plate (D) should be facing the back of the Keyboard Tray pieces.



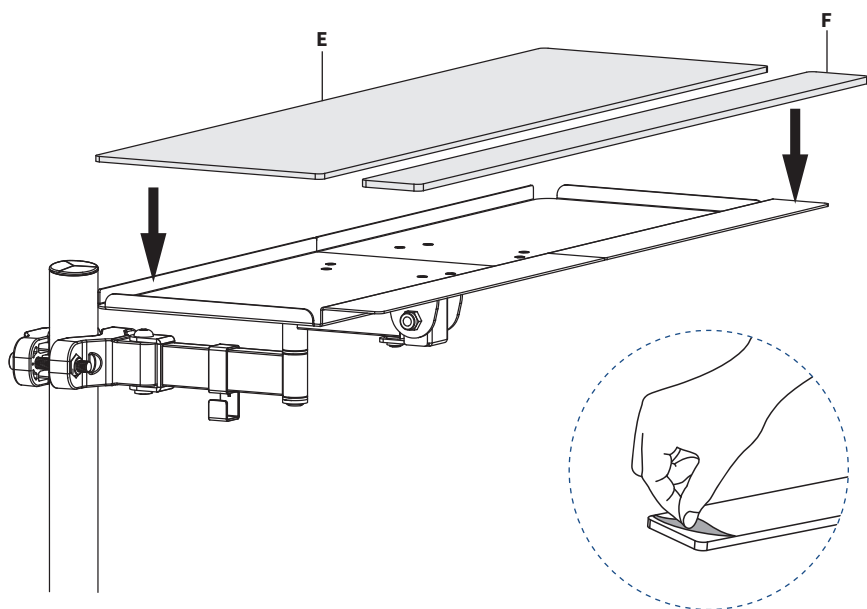
STEP 3

Attach Tray Assembly to Arm (A) using M4x12mm Screws (S-B), M4 Nuts (S-C), Wrench (T-B), and a Phillips screwdriver.



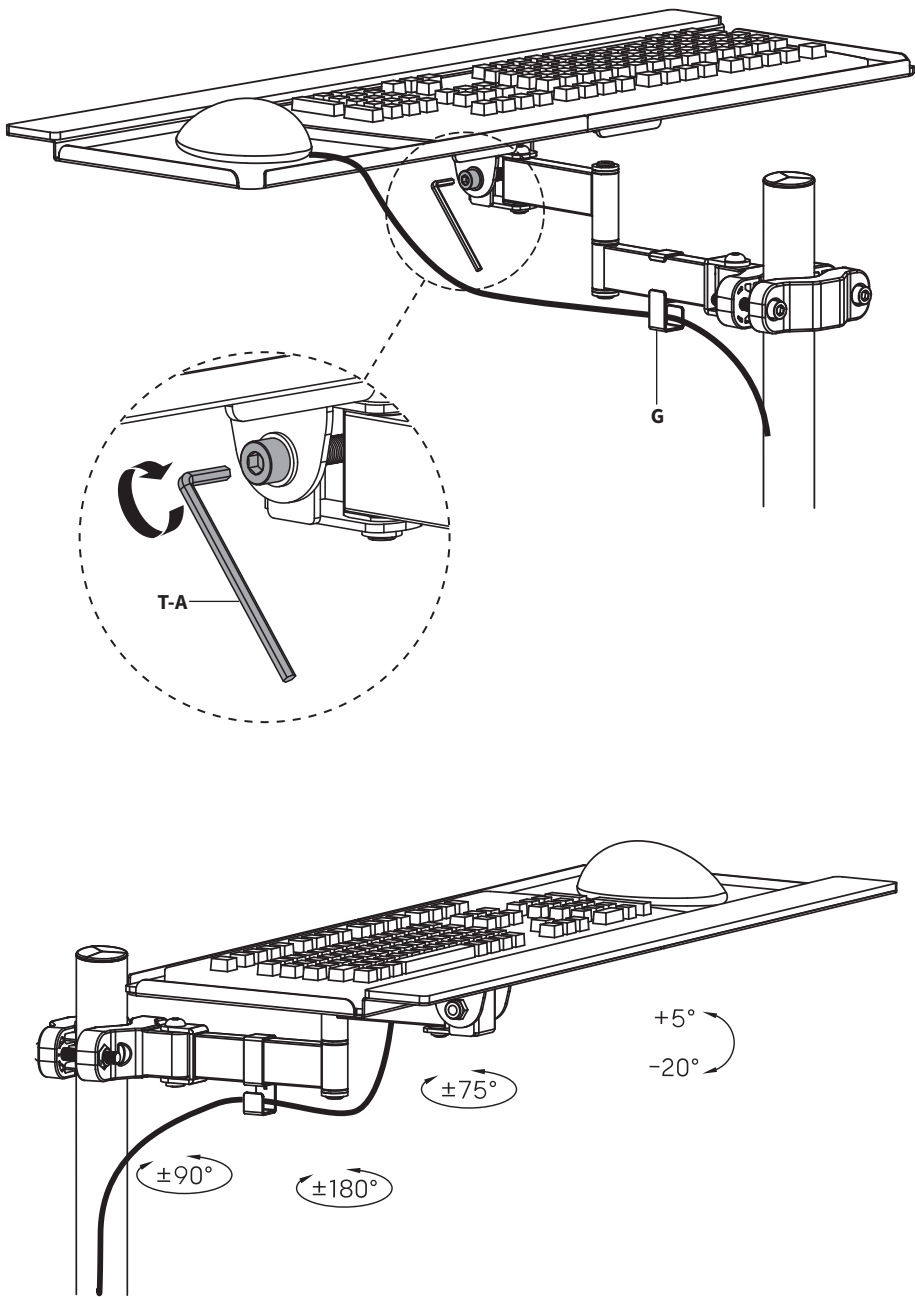
STEP 4

Remove protective film from Wrist Pad (F) and place onto the front of the tray assembly. Place Mouse Pad (E) onto the tray assembly.



STEP 5

Adjust the tilt joint with 6mm Allen Wrench (T-A). Route cables through Cable Clip (G), and adjust as desired.





Open **Monday - Friday 7:00am - 7:00pm** CST,
our dedicated support team can offer immediate assistance with rapid response times. If any parts are received damaged or defective, please contact us. We are happy to replace parts to ensure you have a fully functioning product.



309-278-5303

AVG. RESOLUTION TIME (*within office hrs*): **5M 4S**



www.vivo-us.com
Chat live with an agent!

AVG. RESOLUTION TIME (*within office hrs*): **< 15 M**



help@vivo-us.com

AVG. RESPONSE TIME (*within office hrs*): **1HR 8M**

- 23% within < 15m
- 38% within < 30m
- 61% within < 1hr
- 83% within < 2hr
- 92% within < 3hr