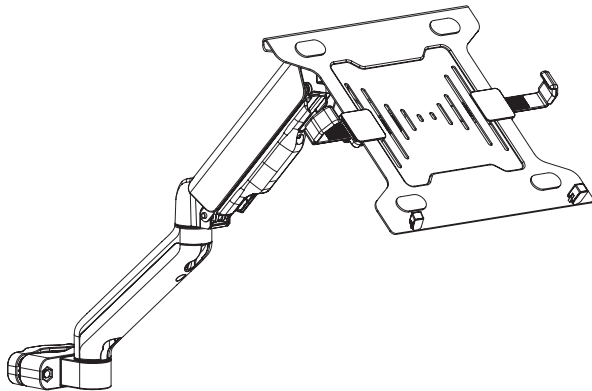




Pole Mount Pneumatic Arm Laptop Holder

Instruction Manual



SKU: MOUNT-POLE05L



Scan the QR code with your mobile device or follow the link for helpful videos and specifications related to this product.

<https://vivo-us.com/products/mount-pole05l>

GET IN TOUCH | Monday-Friday from 7:00am-7:00pm CST



help@vivo-us.com



www.vivo-us.com
Chat live with an agent!



309-278-5303

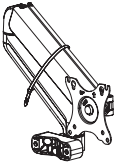
WARNING!

If you do not understand these directions, or if you have any doubts about the safety of the installation, please call a qualified technician. Check carefully to make sure there are no missing or defective parts. Improper installation may cause damage or serious injury. Do not use this product for any purpose that is not explicitly specified in this manual. Do not exceed weight capacity. We cannot be liable for damage or injury caused by improper mounting, incorrect assembly or inappropriate use.

WARNING: CHOKING HAZARD

SMALL PARTS - NOT FOR CHILDREN UNDER 3 YEARS. ADULT SUPERVISION IS REQUIRED.

PACKAGE CONTENTS



A (x1)
Arm



B (x1)
Bracket



C (x1)
Laptop Tray



D (x2)
Laptop Tray
Arm



E (x2)
Clip



S-A (x2)
M8x50mm Screws



S-B (x2)
M8x65mm Screw



S-C (x2)
M8 Nut



S-D (x4)
M4x8mm Screw



M-A (x4)
M4x12mm Screw



M-B (x4)
M5x12mm Screw



M-C (x4)
M5 Washer



T-A (x1)
4mm Allen Wrench



T-B (x1)
5mm Allen Wrench

NOTE: SOME HARDWARE INCLUDED MAY NOT BE USED

DO NOT EXCEED WEIGHT CAPACITY.

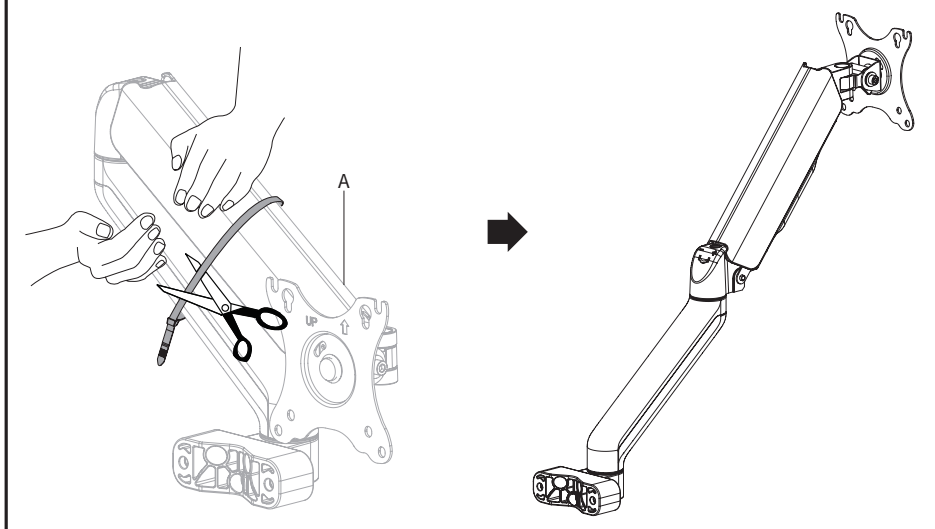
Failure to do so may result in serious injury.



ASSEMBLY STEPS

STEP 1

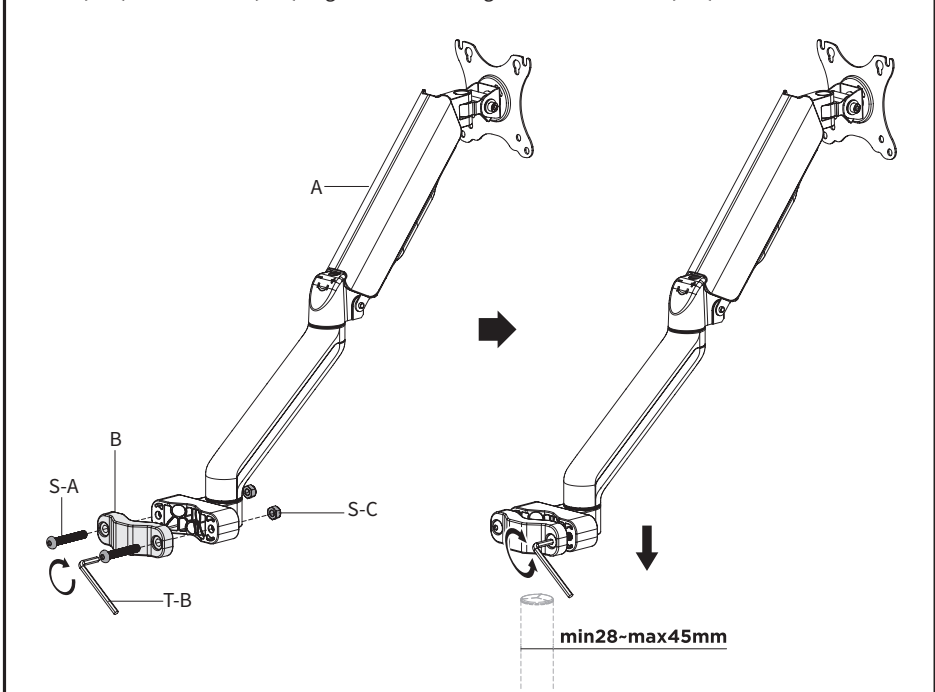
While holding Arm (A) closed, cut the shipping tie and gently open Arm (A).



STEP 2 (Option A)

28-45mm Pole Diameter:

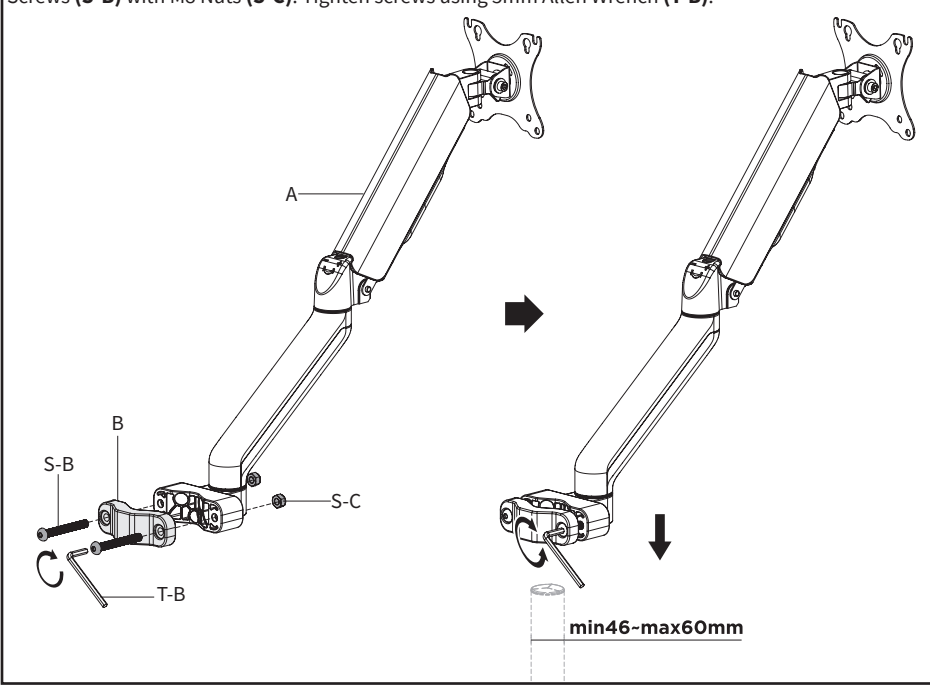
For poles with a diameter of 28-45mm, assemble Arm (A) to the pole using Bracket (B) and M8x50mm Screws (S-A) with M8 Nuts (S-C). Tighten screws using 5mm Allen Wrench (T-B).



STEP 2 (Option B)

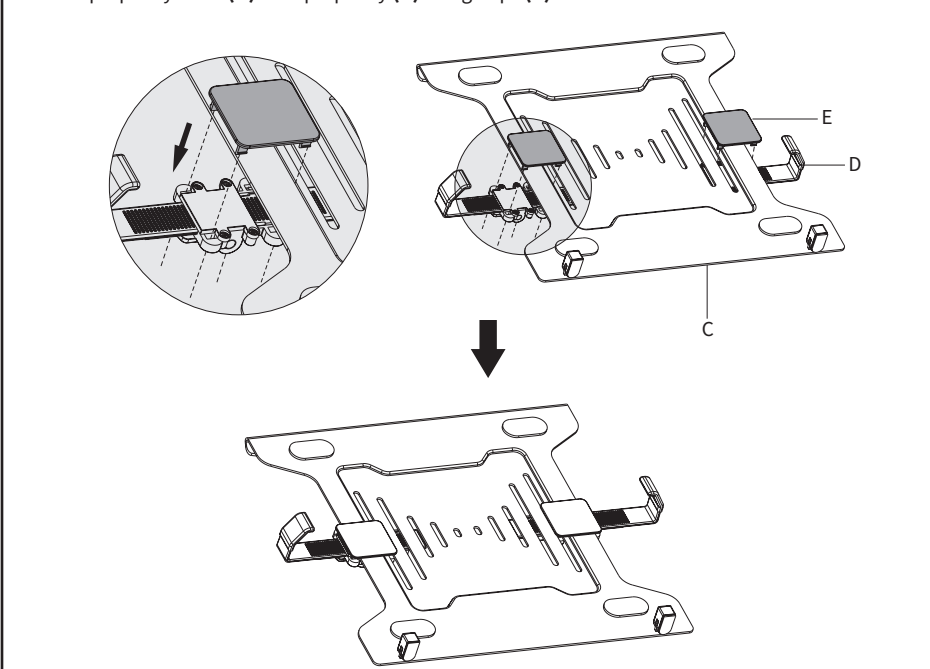
46-60mm Pole Diameter:

For poles with a diameter of 46-60mm, assemble Arm (A) to the pole using Bracket (B) and M8x65mm Screws (S-B) with M8 Nuts (S-C). Tighten screws using 5mm Allen Wrench (T-B).



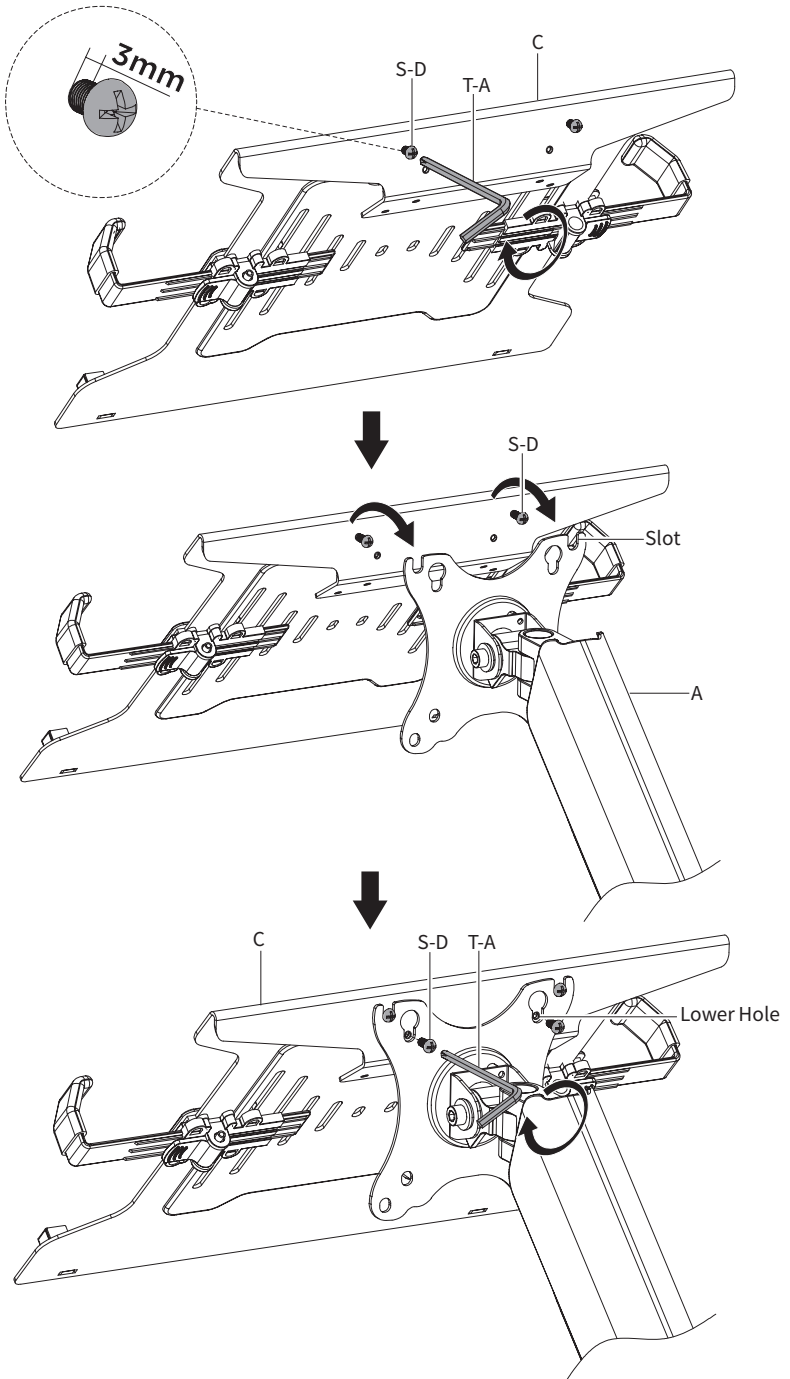
STEP 3

Install Laptop Tray Arms (D) to Laptop Tray (C) using Clips (E).



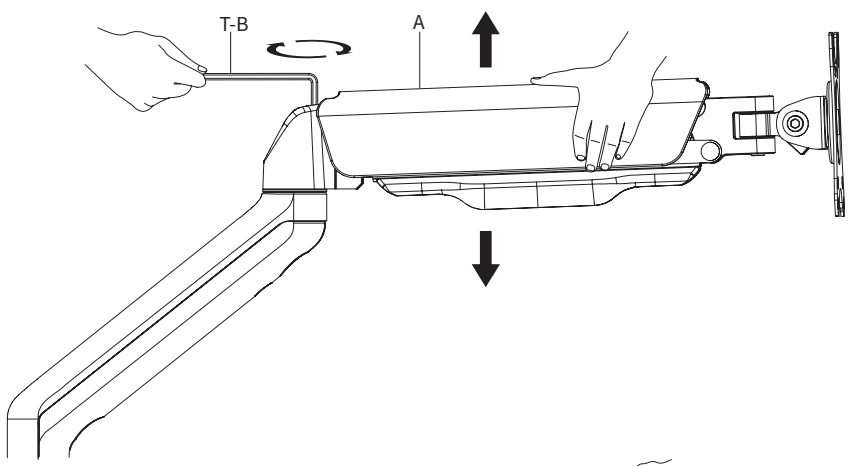
STEP 4

Insert M4x8mm Screws (**S-D**) into the top two holes of Laptop Tray (**C**) using the Phillips end of 4mm Allen Wrench (**T-A**), leaving atleast 3mm of threads exposed. Slide installed M4x8mm Screws (**S-D**) into the slots in the VESA plate on Arm (**A**). Install remaining M4x8mm Screws (**S-D**) into the lower holes of Laptop Tray (**C**).

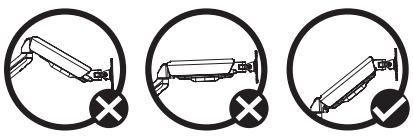


STEP 5

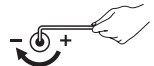
Adjust the tension in Arm (A) using 5mm Allen Wrench (T-B).



First, position and firmly hold the arm horizontally as shown. Ask for assistance should you require it.



If the arm **drops**, turn the adjustment screw counter-clockwise until it stays in a horizontal position.



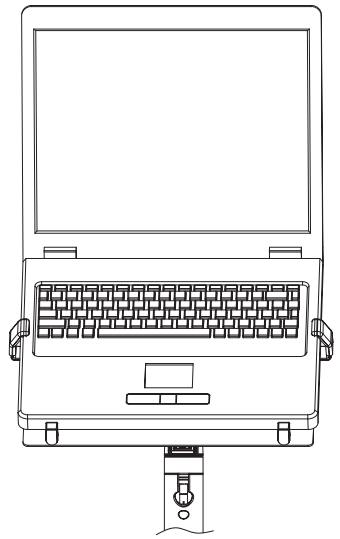
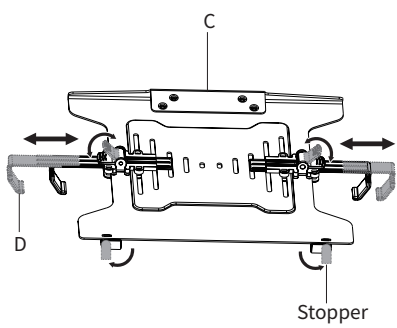
If the arm **rises**, turn the adjustment screw clockwise until it stays in a horizontal position.

CAUTION To avoid damage to monitors or mount, always keep the arm in a horizontal position while making adjustments. Again, ask for assistance if required.

CAUTION **DO NOT** over tighten the screws.

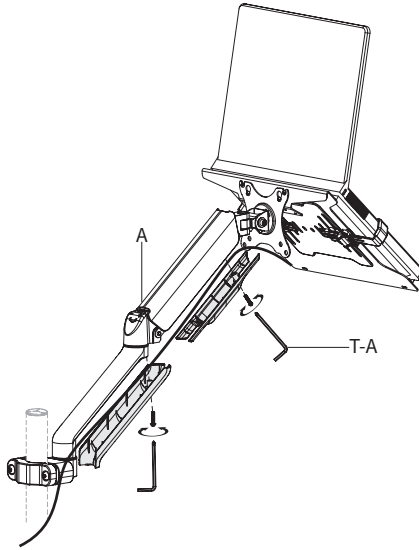
STEP 6

Flip the stoppers on Laptop Tray (C) to prevent the laptop from sliding down. Unlock the latches on the underside of Laptop Tray Arms (D) to adjust the arms to fit your laptop. Place the laptop on Laptop Tray (C), and once adjusted, lock Laptop Tray Arms (D) to secure it in place.



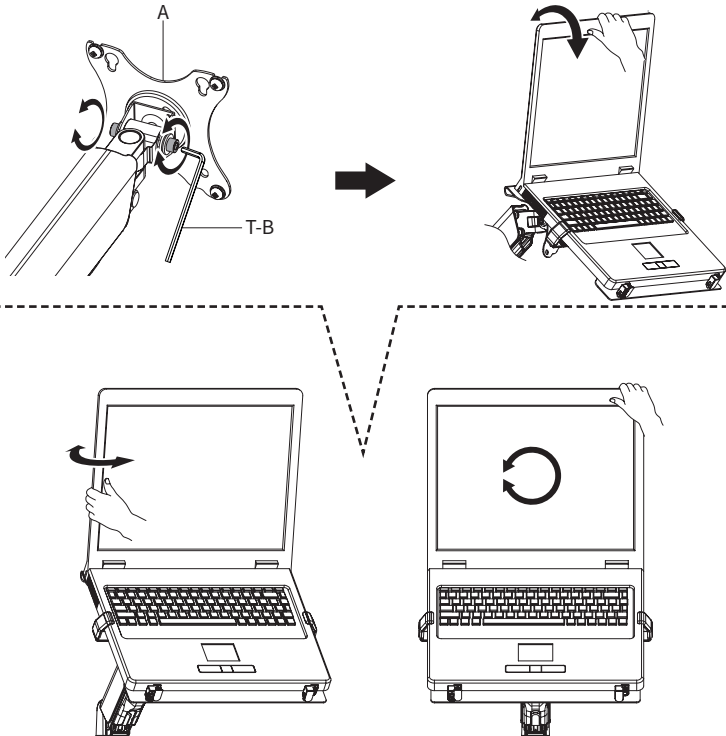
STEP 7

Remove the screws from the cable management covers on the underside of Arm **(A)** using the Phillips end of 4mm Allen Wrench **(T-A)**. Route cables and reassemble the cable management covers.



STEP 8

Adjust the tilt of Arm **(A)** using 5mm Allen Wrench **(T-B)**.





Open **Monday - Friday 7:00am - 7:00pm** CST,
our dedicated support team can offer immediate assistance with rapid response times. If any parts are received damaged or defective, please contact us. We are happy to replace parts to ensure you have a fully functioning product.



309-278-5303

AVG. RESOLUTION TIME (*within office hrs*): **5M 4S**



www.vivo-us.com
Chat live with an agent!

AVG. RESOLUTION TIME (*within office hrs*): **< 15 M**



help@vivo-us.com

AVG. RESPONSE TIME (*within office hrs*): **1HR 8M**

- 23% within < 15m
- 38% within < 30m
- 61% within < 1hr
- 83% within < 2hr
- 92% within < 3hr