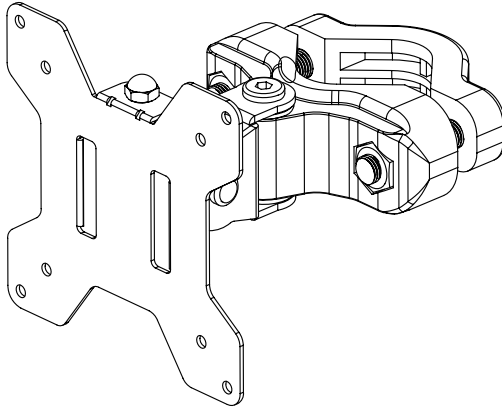




---

Bracket Pole Mount for VESA  
75x75mm and 100x100mm  
Instruction Manual



**SKU: MOUNT-POLE01**



Scan the QR code with your mobile device or follow the link for helpful videos and specifications related to this product.

<https://vivo-us.com/products/mount-pole01>



help@vivo-us.com



www.vivo-us.com



309-278-5303

# **WARNING!**

If you do not understand these directions, or if you have any doubts about the safety of the installation, please call a qualified technician. Check carefully to make sure there are no missing or defective parts. Improper installation may cause damage or serious injury. Do not use this product for any purpose that is not explicitly specified in this manual. Do not exceed weight capacity. We cannot be liable for damage or injury caused by improper mounting, incorrect assembly or inappropriate use.

## PACKAGE CONTENTS



**a** (x1)  
Mounting  
Bracket



**b** (x1)  
Pole Clamp



**c** (x1)  
VESA Plate



**d** (x1)  
Allen Wrench  
Set



**e** (x2)  
M10x45



**f** (x2)  
M10x60



**g** (x4)  
M4x12



**h** (x4)  
M4x30



**i** (x4)  
M4 Spacer



**j** (x1)  
M6 Cap Nut



**k** (x2)  
M10 Nut

## TOOLS NEEDED



Phillips  
Screwdriver

**NOTE:** NOT ALL HARDWARE INCLUDED WILL BE USED

**DO NOT EXCEED WEIGHT CAPACITY.**  
Failure to do so may result in serious injury.



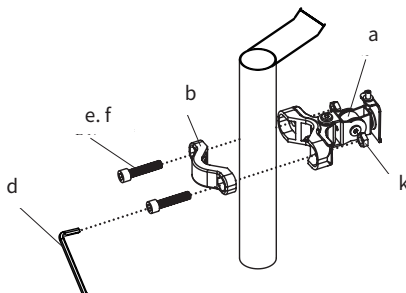
## **WARNING: CHOKING HAZARD**

SMALL PARTS - NOT FOR CHILDREN UNDER 3 YEARS. ADULT SUPERVISION IS REQUIRED.

## ASSEMBLY STEPS

### STEP 1

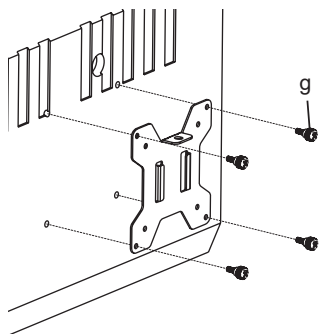
Install mounting bracket (**a**) and pole clamp (**b**) to pole using M10 bolts (**e, f**) and M10 nuts (**k**). Use M10x45 bolts (**e**) for smaller poles or M10x60 bolts (**f**) for larger poles. Tighten with the large Allen wrench (**d**).



## STEP 2

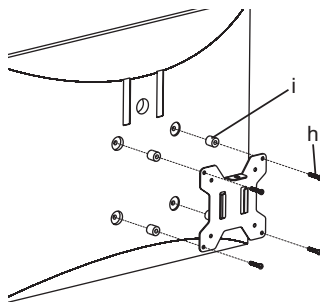
### OPTION A: Flat Back Monitor

Attach VESA plate (c) to monitor using M4x12 thumb screws. Please note, the screws only need to be finger-tight.



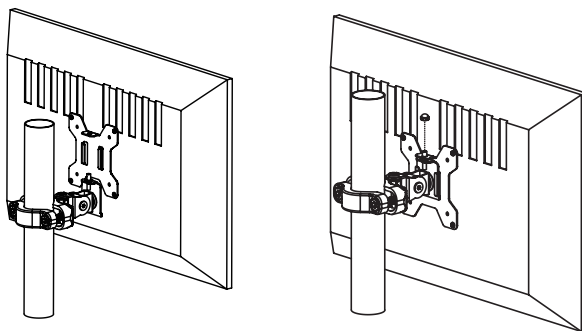
### OPTION B: Curved Back Monitor

Attach VESA plate (c) to monitor using M4x30 screws (h) with M4 spacers (i). Do not over-tighten.



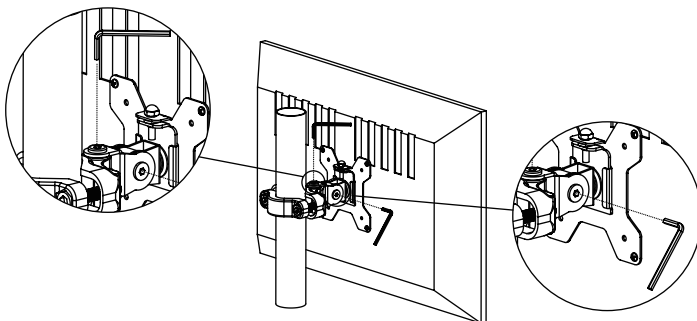
## STEP 3

Slide VESA plate with monitor onto the head of the mounting bracket, and secure with M6 cap nut (j).



## STEP 4

Adjust tilt and swivel joints using the medium Allen wrench (d).





Love your new VIVO setup and want to share?

Tag us in your photo! [@vivo\\_us](#)

LAST UPDATED: 10/16/2019



Open **Monday-Friday from 7:00am-7:00pm CST**,

our dedicated support team can offer immediate assistance with rapid response times.

If any parts are received damaged or defective, please contact us.

We are happy to replace parts to ensure you have a fully functioning product.



[help@vivo-us.com](mailto:help@vivo-us.com)

**AVG. RESPONSE TIME** (*within office hrs*): **1HR 8M**

- 23% within < 15m
- 38% within < 30m
- 61% within < 1hr
- 83% within < 2hr
- 92% within < 3hr



[www.vivo-us.com](http://www.vivo-us.com)

**AVG. RESOLUTION TIME** (*within office hrs*): **< 15 M**



309-278-5303

**AVG. RESOLUTION TIME** (*within office hrs*): **5M 4S**

FOR MORE VIVO PRODUCTS, CHECK OUT OUR WEBSITE AT: [www.vivo-us.com](http://www.vivo-us.com)