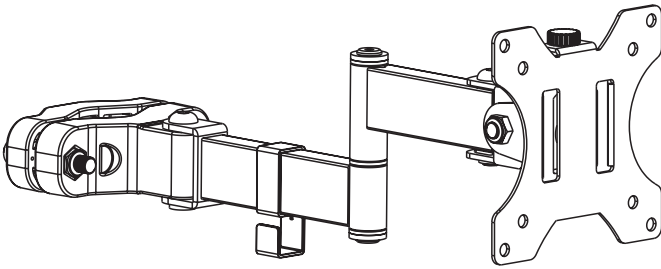


Pole Mount Monitor Arm for VESA 75x75mm and 100x100mm

Instruction Manual



SKU: MOUNT-POLE01A



Scan the QR code with your mobile device or follow the link for helpful videos and specifications related to this product.

<https://vivo-us.com/products/mount-pole01a>

GET IN TOUCH | Monday-Friday from 7:00am-7:00pm CST



help@vivo-us.com



www.vivo-us.com
Chat live with an agent!

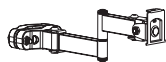


309-278-5303

⚠ WARNING!

If you do not understand these directions, or if you have any doubts about the safety of the installation, please call a qualified technician. Check carefully to make sure there are no missing or defective parts. Improper installation may cause damage or serious injury. Do not use this product for any purpose that is not explicitly specified in this manual. Do not exceed weight capacity. We cannot be liable for damage or injury caused by improper mounting, incorrect assembly or inappropriate use.

PACKAGE CONTENTS



A (x1)
Mounting Arm



B (x1)
VESA Plate



C (x1)
Thumbscrew



D (x2)
M8x70



E (x1)
Cable Clip



F (x1)
6mm Allen Wrench



M-A (x4)
M4x12



M-B (x4)
M4x16



M-C (x4)
M5x12



M-D (x4)
M5x16



M-E (x4)
D5 Washer



M-F (x4)
Spacer

TOOLS NEEDED



Phillips
Screwdriver

NOTE: NOT ALL HARDWARE INCLUDED WILL BE USED

DO NOT EXCEED WEIGHT CAPACITY.
Failure to do so may result in serious injury.



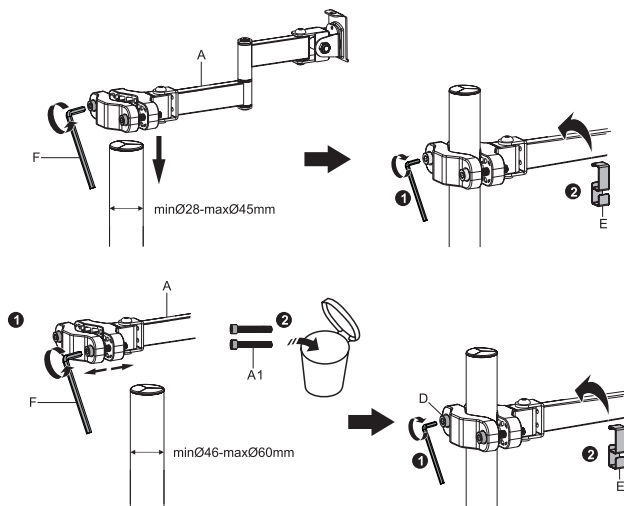
⚠ WARNING: CHOKING HAZARD

SMALL PARTS - NOT FOR CHILDREN UNDER 3 YEARS. ADULT SUPERVISION IS REQUIRED.

ASSEMBLY STEPS

STEP 1

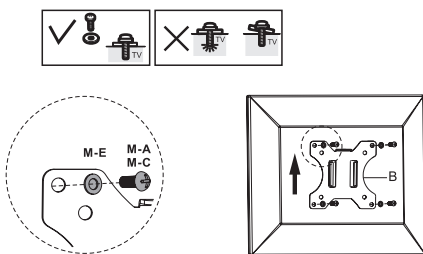
Slide mounting arm (A) onto pole and tighten bolts using the 6mm Allen wrench (F). For pole sizes larger than 45mm, swap pre-installed bolts with M8x70 bolts (D). Attach cable clip (E) to arm.



STEP 2

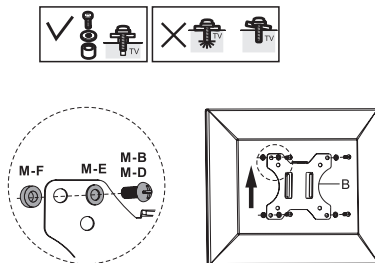
OPTION A: Flat Back Monitor

Attach VESA plate (B) to monitor using 12mm screws (M-A, M-C) with washers (M-E).



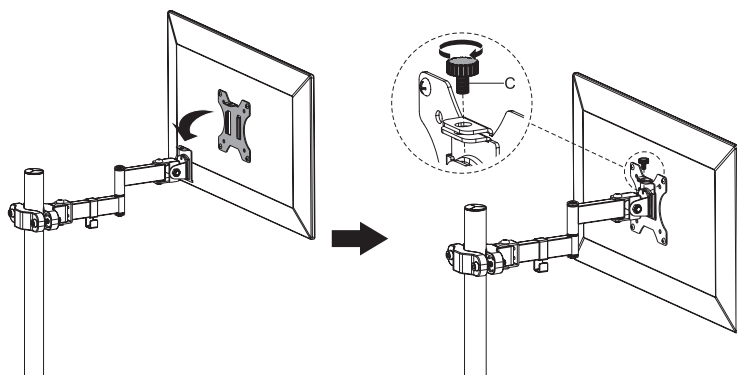
OPTION B: Curved Back Monitor

Attach VESA plate (B) to monitor using 16mm screws (M-B, M-D) with washers (M-E) and spacers (M-F).



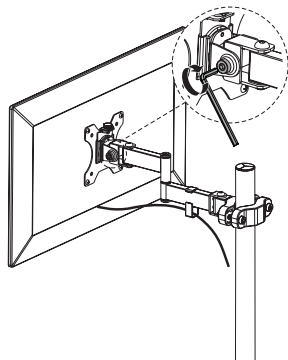
STEP 3

Slide the VESA plate with monitor onto the head of the mounting arm, and secure with the thumbscrew (C).

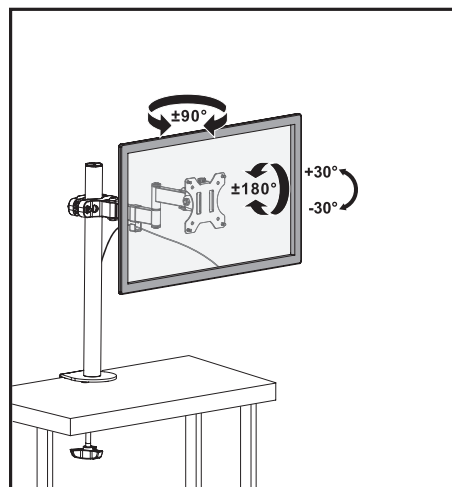


STEP 4

Adjust the tilt and swivel joints with the Allen wrench (F). Use the cable clip to organize cables.



Adjust as Desired





Open **Monday - Friday 7:00am - 7:00pm** CST,
our dedicated support team can offer immediate assistance with rapid response times. If any parts are received damaged or defective, please contact us. We are happy to replace parts to ensure you have a fully functioning product.


 help@vivo-us.com

AVG. RESPONSE TIME (*within office hrs*): **1HR 8M**

- 23% within < 15m
- 38% within < 30m
- 61% within < 1hr
- 83% within < 2hr
- 92% within < 3hr

 www.vivo-us.com
Chat live with an agent!

AVG. RESOLUTION TIME (*within office hrs*): **< 15 M**

 309-278-5303

AVG. RESOLUTION TIME (*within office hrs*): **5M 4S**