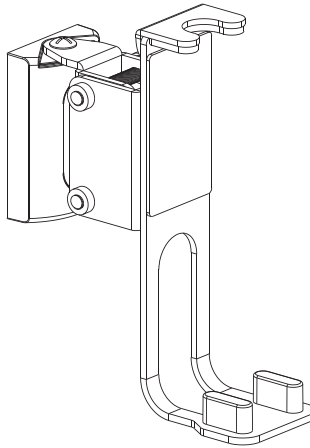


---

## Black Dual Wall Mount Designed for Sonos One, One SL, Play 1

Instruction Manual



**SKU: MOUNT-PLAY1B**



Scan the QR code with your mobile device or follow the link for helpful videos and specifications related to this product.

<https://vivo-us.com/products/mount-play1b>

---

GET IN TOUCH | Monday-Friday from 7:00am-7:00pm CST



help@vivo-us.com



www.vivo-us.com  
*Chat live with an agent!*



309-278-5303

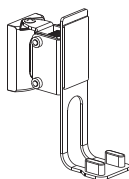
## **WARNING!**

If you do not understand these directions, or if you have any doubts about the safety of the installation, please call a qualified technician. Check carefully to make sure there are no missing or defective parts. Improper installation may cause damage or serious injury. Do not use this product for any purpose that is not explicitly specified in this manual. Do not exceed weight capacity. We cannot be liable for damage or injury caused by improper mounting, incorrect assembly or inappropriate use.

## **WARNING: CHOKING HAZARD**

SMALL PARTS - NOT FOR CHILDREN UNDER 3 YEARS. ADULT SUPERVISION IS REQUIRED.

### PACKAGE CONTENTS



**A** (x2)  
Mount



**B** (x2)  
Support  
Bracket



**C** (x2)  
Cover



**D** (x4)  
Anchor



**E** (x4)  
Wall Screw



**F** (x2)  
Pan Head Screw



**G** (x2)  
Flat Head Screw



**H** (x1)  
Allen Wrench

### TOOLS NEEDED



Drill



Phillips  
Screwdriver

**DO NOT EXCEED WEIGHT CAPACITY.**

Failure to do so may result in serious injury.

**6.6lbs  
(3kg)**

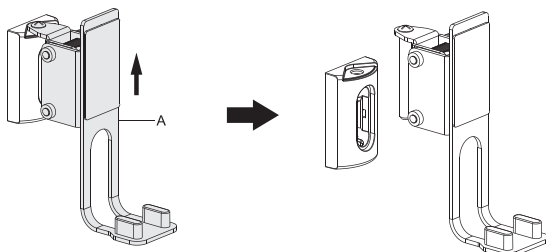
## **CAUTION!**

DO NOT INSTALL INTO DRYWALL ALONE. VERIFY YOUR WALL CONSTRUCTION. USE WOOD STUDS TO MOUNT. We include mounting for brick and concrete walls. If unsure, please contact us at vivo-us.com, email at [help@vivo-us.com](mailto:help@vivo-us.com), or call us at 309-278-5303.

### ASSEMBLY STEPS

#### STEP 1

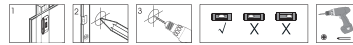
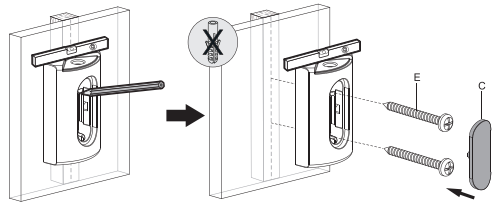
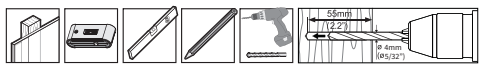
Separate the Mount (**A**) into the wall bracket and support.



## STEP 2

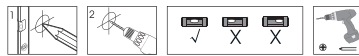
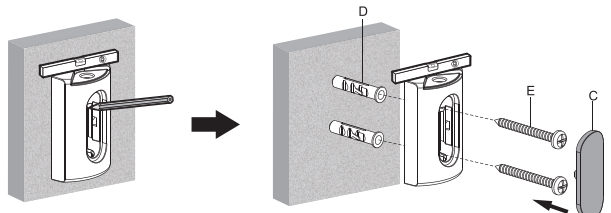
### OPTION A: Wood Stud Installation

Use the wall bracket to mark mounting holes on the wall where a stud is located. Use of a stud finder and level is recommended. Drill 2.2" (55mm) deep holes using a 5/32" (4mm) drill bit. Secure the wall bracket using Wall Screws (E) and press the Cover (C) into place.



### OPTION B: Brick/Concrete Wall Installation

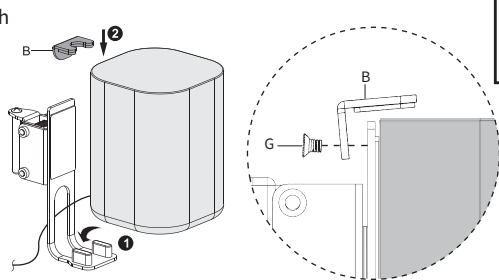
Use the wall bracket to mark mounting holes on the wall where a stud is located. Use of a level is recommended. Drill 2.4" (60mm) deep holes using a 5/16" (8mm) drill bit and press Anchors (D) into the holes. Secure the wall bracket using Wall Screws (E) and press the Cover (C) into place.



## STEP 3

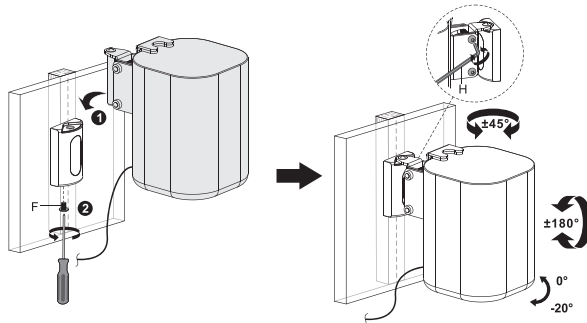
Route the speaker power cable through the slot in the support, and place the speaker on the support. Mount Support Bracket (B) using Flat Head Screw (G) at a slight angle with a Phillips screwdriver.

**Note:** As you tighten Flat Head Screw (G), Support Bracket (B) will straighten out applying pressure to the speaker. Do not over tighten.



## STEP 4

Place the support with speaker on the wall bracket, and secure using the pan head screw (F) and a Phillips screwdriver. Adjust tilt support using the Allen wrench (H).





Open **Monday - Friday 7:00am - 7:00pm** CST,  
our dedicated support team can offer immediate assistance with rapid response times. If any parts are received damaged or defective, please contact us. We are happy to replace parts to ensure you have a fully functioning product.



309-278-5303

**AVG. RESOLUTION TIME** (*within office hrs*): **5M 4S**



[www.vivo-us.com](http://www.vivo-us.com)  
*Chat live with an agent!*

**AVG. RESOLUTION TIME** (*within office hrs*): **< 15 M**



[help@vivo-us.com](mailto:help@vivo-us.com)

**AVG. RESPONSE TIME** (*within office hrs*): **1HR 8M**

- 23% within < 15m
- 38% within < 30m
- 61% within < 1hr
- 83% within < 2hr
- 92% within < 3hr