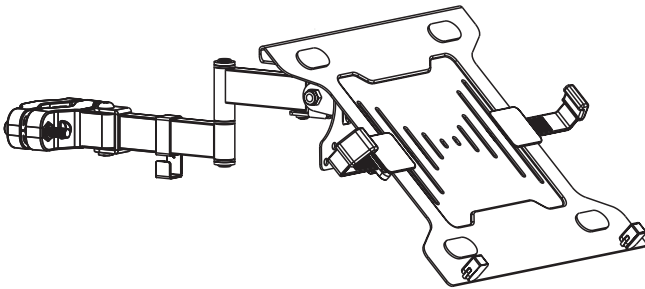




---

## Pole Mount Laptop Holder

### Instruction Manual



**SKU: MOUNT-PL1A-LAP3**



Scan the QR code with your mobile device or follow the link for helpful videos and specifications related to this product.

<https://vivo-us.com/products/mount-pl1a-lap3>

---

GET IN TOUCH | Monday-Friday from 7:00am-7:00pm CST



help@vivo-us.com



www.vivo-us.com  
*Chat live with an agent!*



309-278-5303

# **WARNING!**

If you do not understand these directions, or if you have any doubts about the safety of the installation, please call a qualified technician. Check carefully to make sure there are no missing or defective parts. Improper installation may cause damage or serious injury. Do not use this product for any purpose that is not explicitly specified in this manual. Do not exceed weight capacity. We cannot be liable for damage or injury caused by improper mounting, incorrect assembly or inappropriate use.

## **WARNING: CHOKING HAZARD**

SMALL PARTS - NOT FOR CHILDREN UNDER 3 YEARS. ADULT SUPERVISION IS REQUIRED.

### PACKAGE CONTENTS



**A** (x1)  
Mount



**B** (x1)  
VESA Plate



**C** (x1)  
Thumbscrew



**D** (x2)  
M8x70mm



**E** (x1)  
Clip



**F** (x1)  
6mm Allen  
Wrench



**G** (x1)  
Laptop Tray



**H** (x2)  
Tray Arm



**I** (x2)  
Cover



**J** (x4)  
M4x8



**M-A** (x4)  
M4x12



**M-B** (x4)  
M4x16



**M-C** (x4)  
M5x12



**M-D** (x4)  
M5x16



**M-E** (x4)  
D5 Washer



**M-F** (x4)  
Spacer

**NOTE:** SOME HARDWARE MAY NOT BE USED

### TOOLS NEEDED



Drill



Phillips  
Screwdriver

### DO NOT EXCEED WEIGHT CAPACITY.

Failure to do so may result in serious injury.



LAPTOP



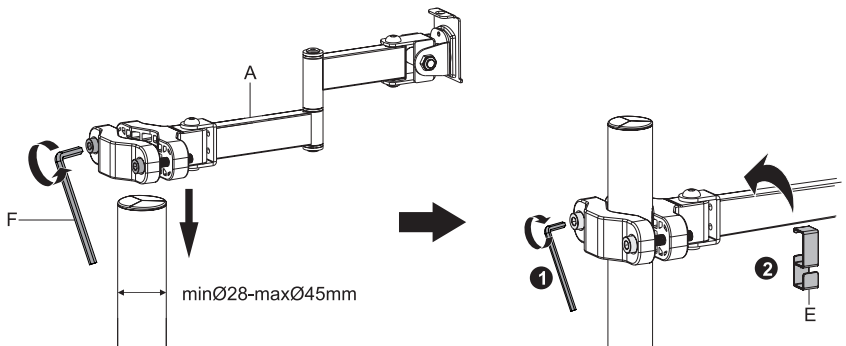
MONITOR

## ASSEMBLY STEPS

### STEP 1

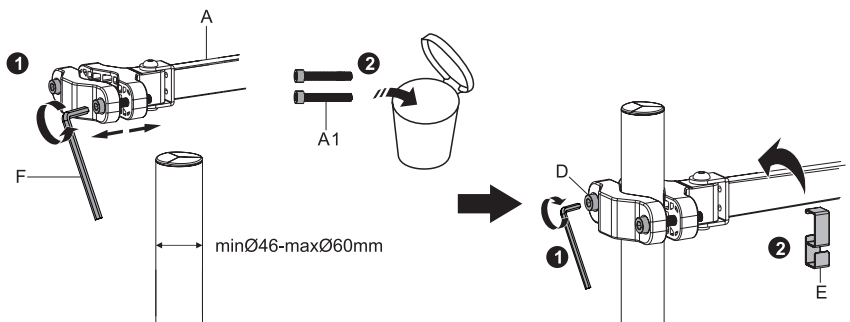
#### OPTION A: 28mm - 45mm (1.1" - 1.77") Pole

Slide the mount (A) onto the pole and tighten bolts using the 6mm Allen wrench (F). Install the cable clip (E) to the mount.



#### OPTION B: 46mm - 60mm (1.8" - 2.36") Pole

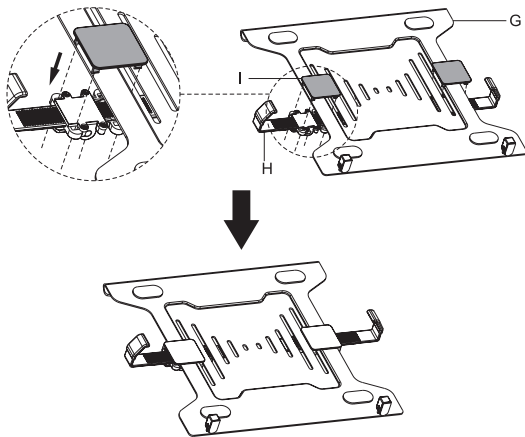
Remove the pre-installed clamping bolts from the mount (A) and replace with M8x70 bolts (D). Slide mounting arm (A) onto pole and tighten bolts using the 6mm Allen wrench (F). Install the cable clip (E) to the mount.



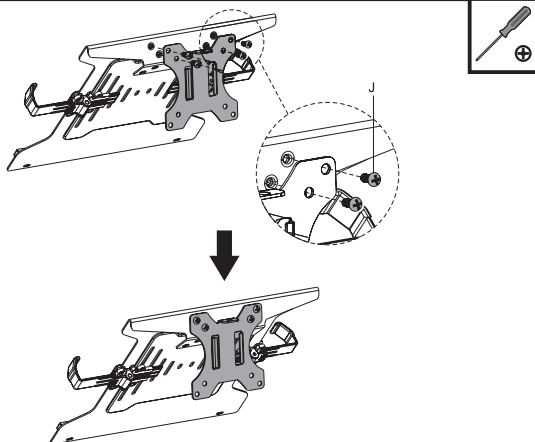
## STEP 2: FOR LAPTOPS

### OPTION A: Laptop Installation

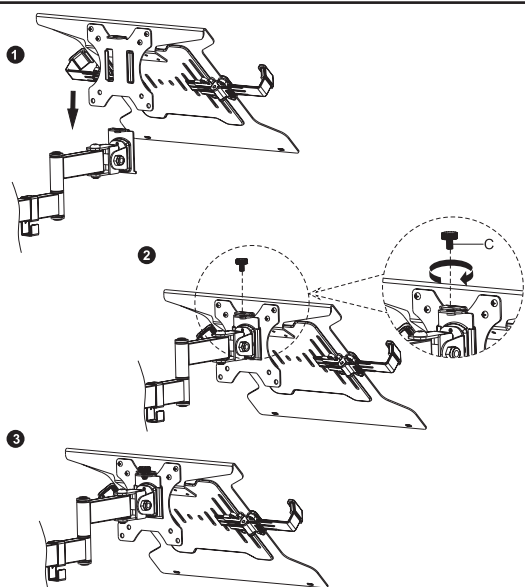
Place tray arms (**H**) underneath each side of the laptop tray (**G**), aligning square holes in arms with the edge and long slot on each side. Insert clips (**I**) through top to secure the arms, making sure all 4 locks on each clip are engaged with square holes in the arms.



Attach assembled laptop tray to the 75mm and 100mm holes in the VESA plate (**B**) using M4x8 bolts (**J**). Tighten screws using a Phillips screwdriver.

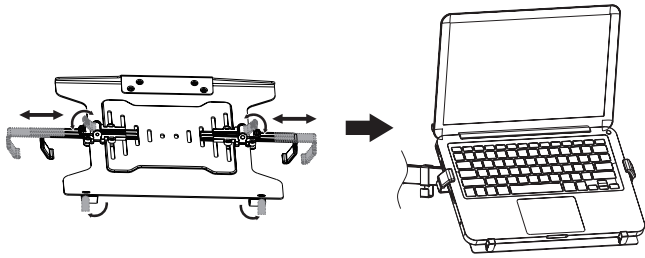


Slide the VESA plate (**B**) with laptop tray (**G**) over the bracket on the mount (**A**). Secure using the thumbscrew (**C**).

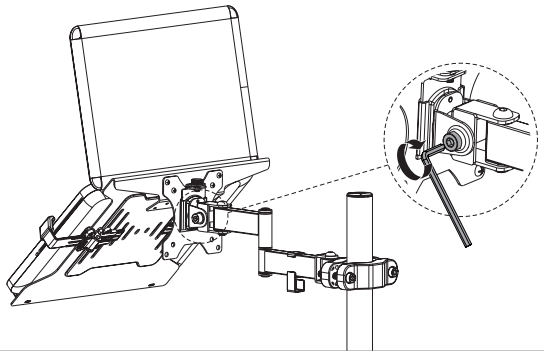


## STEP 2: FOR LAPTOPS (Continued)

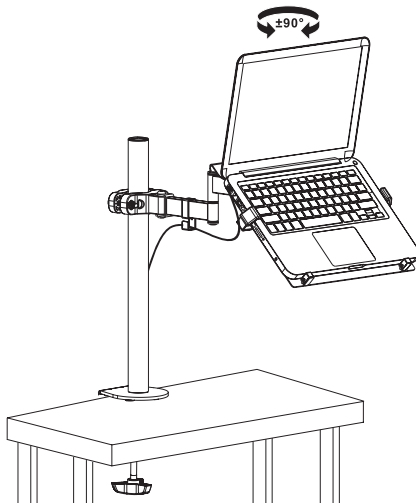
Release locks on the underside of the tray arms (**H**). Extend arms, place laptop on the tray, then adjust arms to fit the width of the laptop. Engage locks to secure the laptop. If using a thicker laptop, turn the front bumpers to the upward position for additional support.



Adjust the tilt and swivel joints with the Allen wrench (**F**).



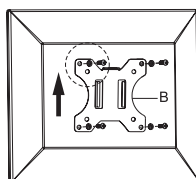
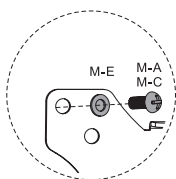
Use the cable clip to organize cables.  
Adjust the laptop position as desired.



## STEP 2: FOR MONITORS

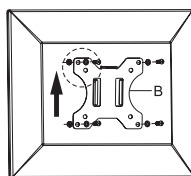
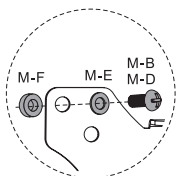
### OPTION A: Flat Back Monitor

Attach VESA plate (B) to monitor using 12mm screws (M-A, M-C) with washers (M-E).

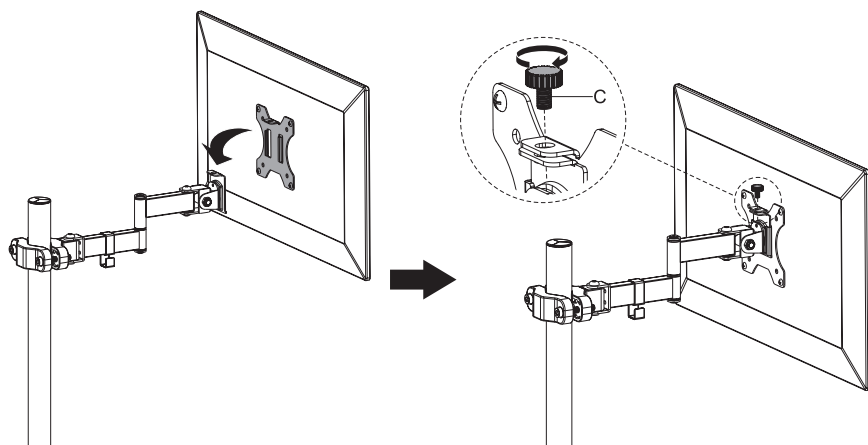


### OPTION B: Curved / Recessed Back Monitor

Attach VESA plate (B) to monitor using 16mm screws (M-B, M-D) with washers (M-E) and spacers (M-F).

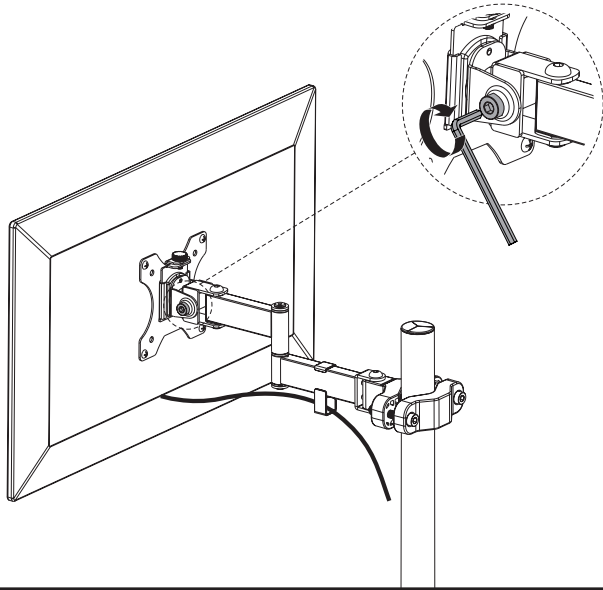


Slide the VESA plate (B) with monitor over the bracket on the mount (A), and secure with the thumbscrew (C).

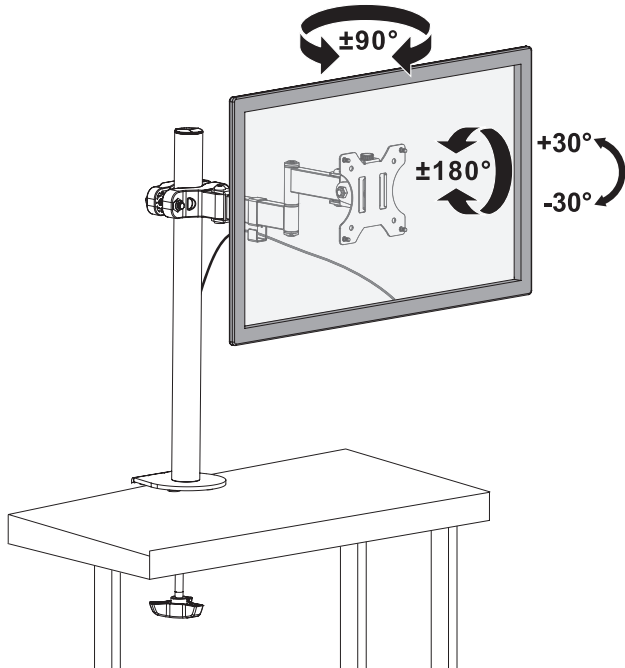



## STEP 2: FOR MONITORS (Continued)

Adjust the tilt and swivel joints with the Allen wrench (F).



Use the cable clip to organize cables. Adjust the monitor position as desired.



 Love your new VIVO setup and want to share?  
Tag us in your photo! **@vivo\_us**

LAST UPDATED: 12/15/2020



Open **Monday - Friday 7:00am - 7:00pm** CST,  
our dedicated support team can offer immediate assistance with rapid response times. If any parts are received damaged or defective, please contact us. We are happy to replace parts to ensure you have a fully functioning product.


 [help@vivo-us.com](mailto:help@vivo-us.com)

**AVG. RESPONSE TIME** (*within office hrs*): **1HR 8M**

- 23% within < 15m
- 38% within < 30m
- 61% within < 1hr
- 83% within < 2hr
- 92% within < 3hr

 [www.vivo-us.com](http://www.vivo-us.com)  
*Chat live with an agent!*

**AVG. RESOLUTION TIME** (*within office hrs*): **< 15 M**

 309-278-5303

**AVG. RESOLUTION TIME** (*within office hrs*): **5M 4S**

FOR MORE VIVO PRODUCTS, CHECK OUT OUR WEBSITE AT: [www.vivo-us.com](http://www.vivo-us.com)