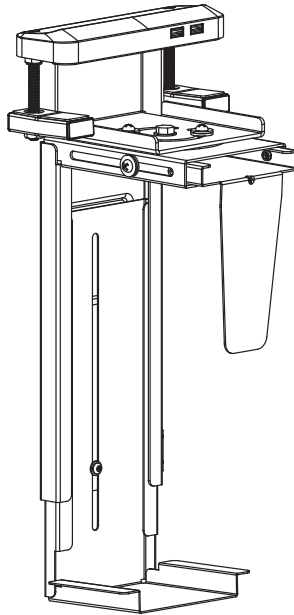




Black Clamp-on Desk and Wall PC Mount with USB Instruction Manual



SKU: MOUNT-PC10BU



Scan the QR code with your mobile device or follow the link for helpful videos and specifications related to this product.

<https://vivo-us.com/products/mount-pc10bu>

GET IN TOUCH | Monday-Friday from 7:00am-7:00pm CST



help@vivo-us.com



www.vivo-us.com
Chat live with an agent!



309-278-5303

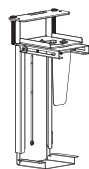
⚠ WARNING!

If you do not understand these directions, or if you have any doubts about the safety of the installation, please call a qualified technician. Check carefully to make sure there are no missing or defective parts. Improper installation may cause damage or serious injury. Do not use this product for any purpose that is not explicitly specified in this manual. Do not exceed weight capacity. We cannot be liable for damage or injury caused by improper mounting, incorrect assembly or inappropriate use.

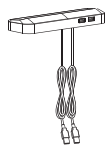
⚠ WARNING: CHOKING HAZARD

SMALL PARTS - NOT FOR CHILDREN UNDER 3 YEARS. ADULT SUPERVISION IS REQUIRED.

PACKAGE CONTENTS



A (x1)
PC Mount



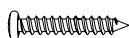
B (x1)
USB Cover



C (x12)
Pad



D (x2)
Lower Clamps



S-A (x4)
ST4.8x38mm
Screw



S-B (x4)
Concrete Anchor



S-C (x2)
ST4.2x15mm
Screw



S-D (x2)
M8 Nut



T-A (x1)
4mm Allen
Wrench



T-B (x1)
5mm Allen
Wrench

⚠ CAUTION!

DO NOT INSTALL INTO DRYWALL ALONE. VERIFY YOUR WALL CONSTRUCTION. USE WOOD STUDS TO MOUNT. We include mounting for brick and concrete. If unsure, please contact us at vivo-us.com, email at help@vivo-us.com, or call us at 309-278-5303.

TOOLS NEEDED



Drill



Phillips
Screwdriver



Level



Pencil

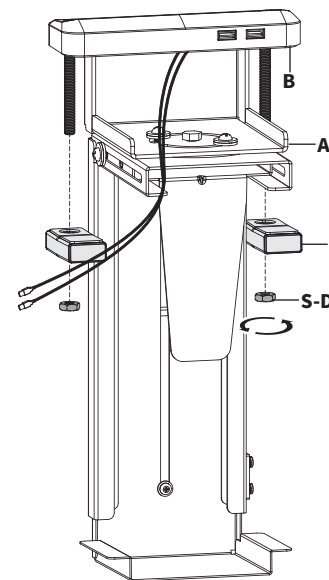
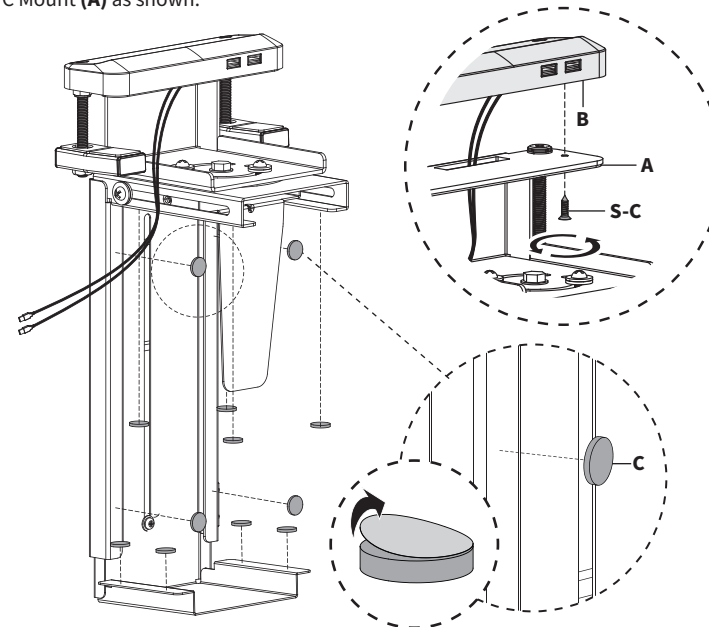
DO NOT EXCEED WEIGHT CAPACITY.
Failure to do so may result in serious injury.



ASSEMBLY STEPS

STEP 1

Install USB Cover (**B**) using ST4.2x15mm Screws (**S-C**). Remove protective film and attach Pads (**C**) to PC Mount (**A**) as shown.



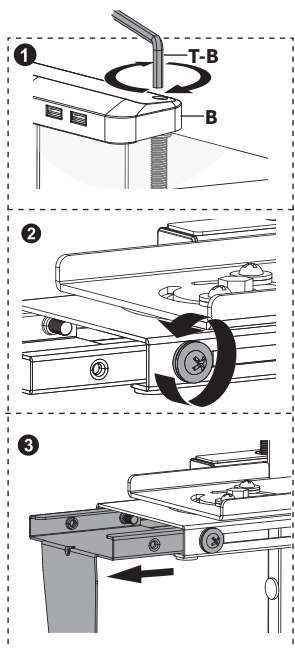
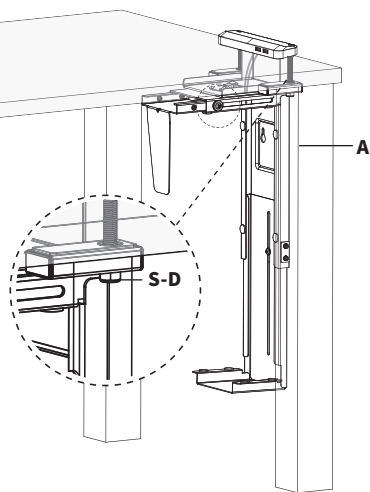
Thread Lower Clamps (**D**) onto PC Mount (**A**) by hand, turning the screw and holding the lower clamps steady. Ensure Lower Clamp (**D**) is extending towards the front of the USB Cover (**B**).

Loosely install M8 Nuts (**S-D**) onto Mount (**A**).

STEP 2 - Option A | Clamp Installation

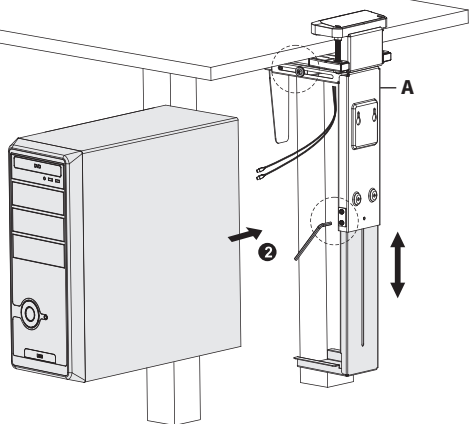
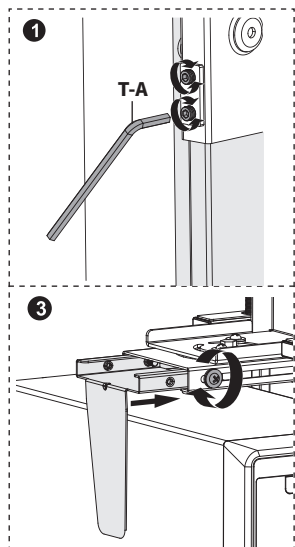
Clamp PC Mount (A) onto desktop using 5mm Allen Wrench (T-B). Hand-tighten M8 Nuts (S-D) installed in previous step.

Loosen width adjustment screw on PC Mount (A) with a Phillips screwdriver and pull the side bracket outwards.



Loosen set screws for lower support using 4mm Allen Wrench (T-A) and slide the support down.

Place PC tower in PC Mount (A), slide bottom support up until mount is fit vertically to PC, and tighten set screws using 4mm Allen Wrench (T-A). Slide side bracket into place to hold PC, and tighten screws using a Phillips screwdriver.



STEP 2 - Option B | Wood Stud & Solid Wood Wall Installation

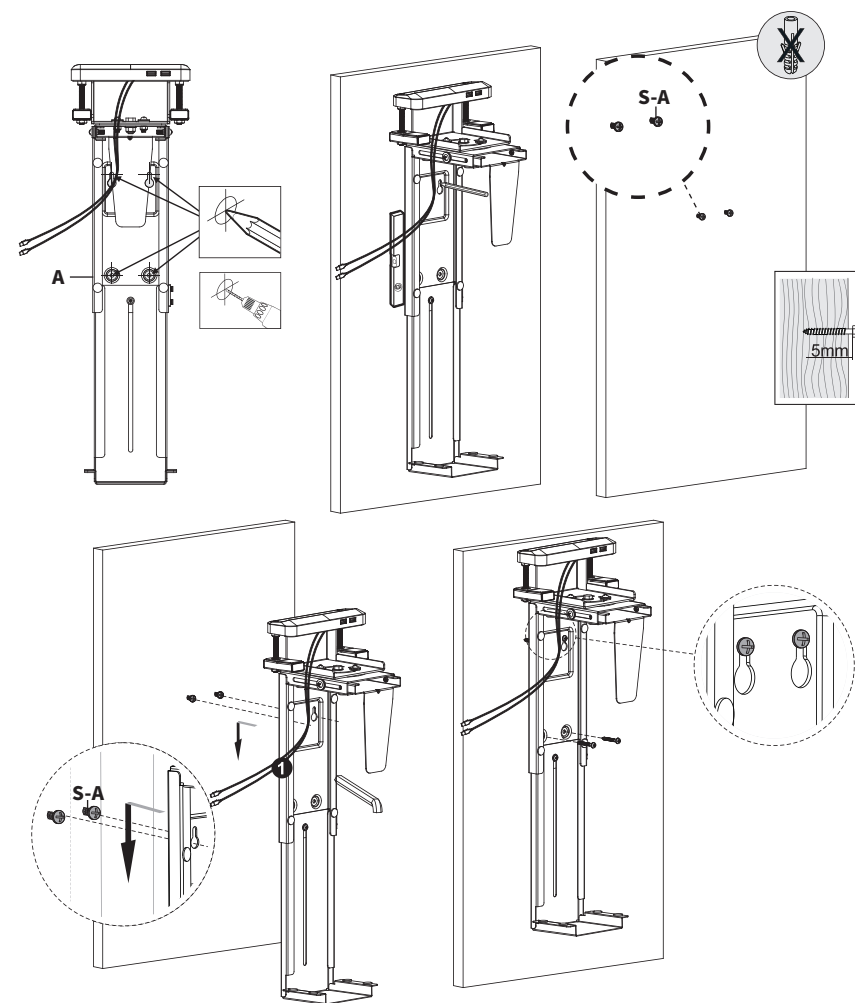
Solid Wood Wall Installation

For solid wood wall, place PC Mount (A) against wall and mark drilling locations. Using a 1/8" (3.5mm) drill bit, drill holes 1.6" (40mm) deep. Insert two ST4.8x38mm Screws (S-A) into top holes, leaving 3mm of thread exposed. Hang PC Mount (A) over screws and insert two more ST4.8x38mm Screws (S-A) into lower holes. Tighten screws with a Phillips screwdriver.

Wood Stud Frame Installation

If wall has a wood stud frame, use a stud finder to locate the stud, then place mount against wall and mark drilling locations for top and bottom holes on only one side of the mount. Using a 1/8" (3.5mm) drill bit, drill holes 1.6" (40mm) deep. Insert a ST4.8x38mm Screw (S-A) into top hole, leaving 5mm of thread exposed.

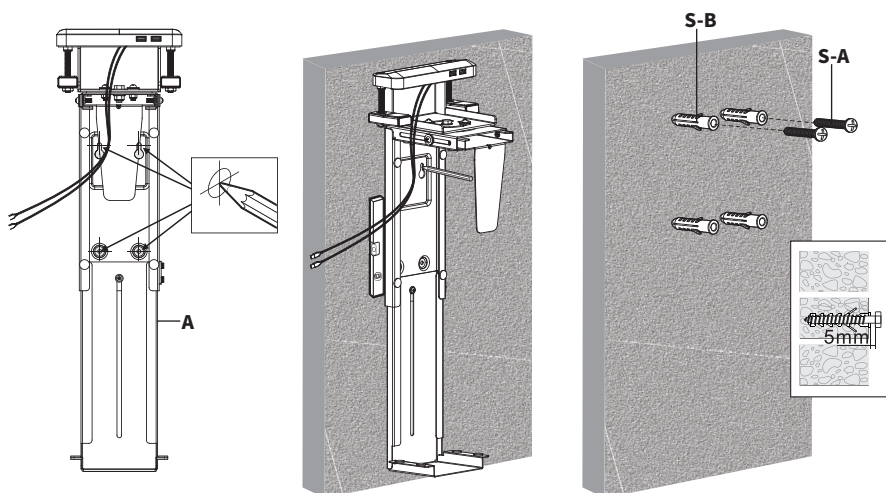
Hang PC Mount (A) over screw and insert another ST4.8x38mm Screw (S-A) into lower hole. Tighten screws with a Phillips screwdriver.



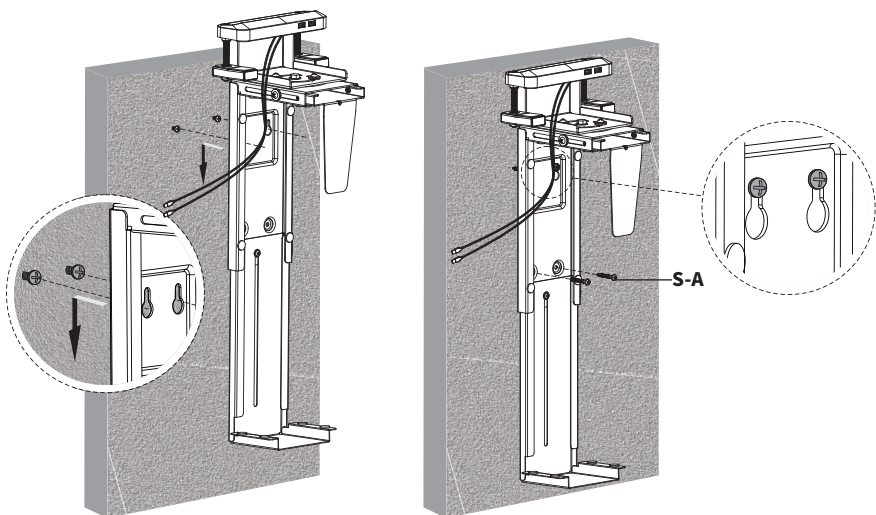
STEP 2 - Option C | Concrete Wall Installation

Concrete Wall Installation

For concrete wall installation, place PC Mount (A) against the wall and mark locations with a pencil. Drill 1.6" (40mm) deep holes at marked locations using a 1/4" (6mm) drill bit. Insert Concrete Anchors (S-B) into holes, and insert two ST4.8x38mm Screws (S-A) into top holes, leaving 5mm of thread exposed.

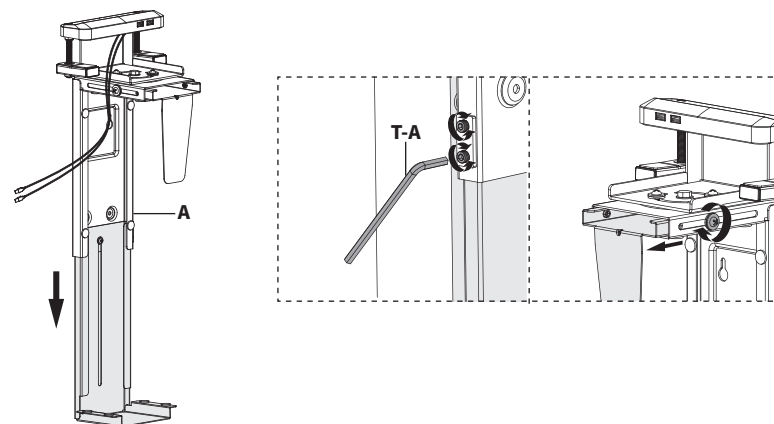


Hang mount over two screws in the wall. Secure with two additional ST4.8x38mm Screws (S-A), and tighten screws with a Phillips screwdriver.

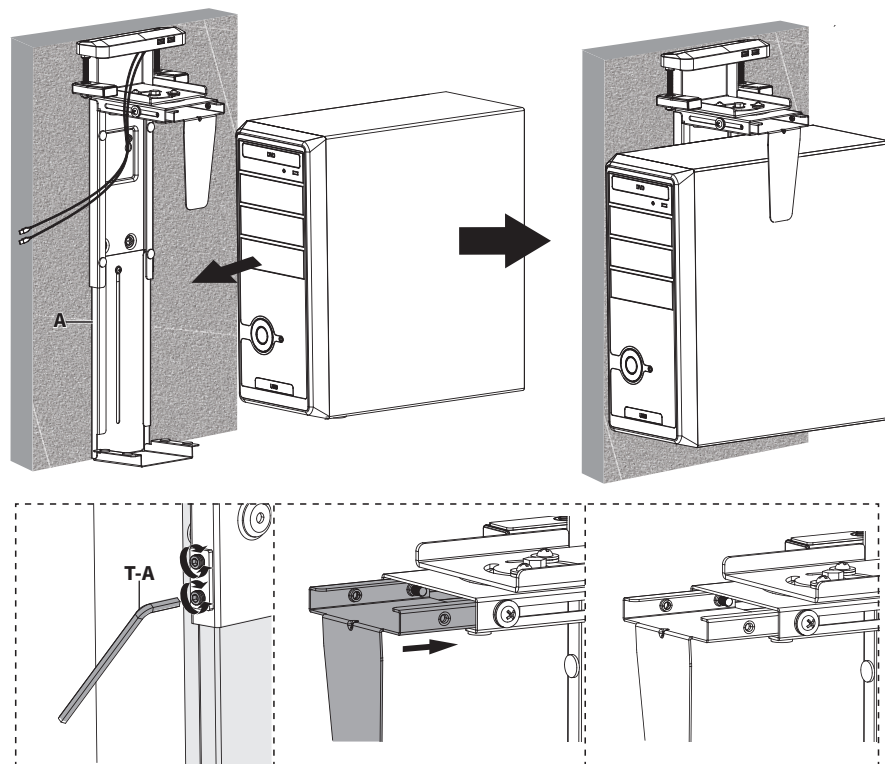


STEP 3 - For Options B & C Only

Loosen set screws for lower support using 4mm Allen Wrench (T-A) and slide the support down. Loosen two screws on top of Mount (A) (one on each side) with a Phillips screwdriver and slide side support bracket out to maximum width.



Place PC tower in PC Mount (A), slide bottom support up until mount is fit vertically to PC, and tighten set screws using the 4mm Allen Wrench (T-A). Slide side bracket into place to hold PC, and tighten screws using a Phillips screwdriver.





Open **Monday - Friday 7:00am - 7:00pm** CST,
our dedicated support team can offer immediate assistance with rapid response times. If any parts are received damaged or defective, please contact us. We are happy to replace parts to ensure you have a fully functioning product.



309-278-5303

AVG. RESOLUTION TIME (*within office hrs*): **5M 4S**



www.vivo-us.com
Chat live with an agent!

AVG. RESOLUTION TIME (*within office hrs*): **< 15 M**



help@vivo-us.com

AVG. RESPONSE TIME (*within office hrs*): **1HR 8M**

- 23% within < 15m
- 38% within < 30m
- 61% within < 1hr
- 83% within < 2hr
- 92% within < 3hr