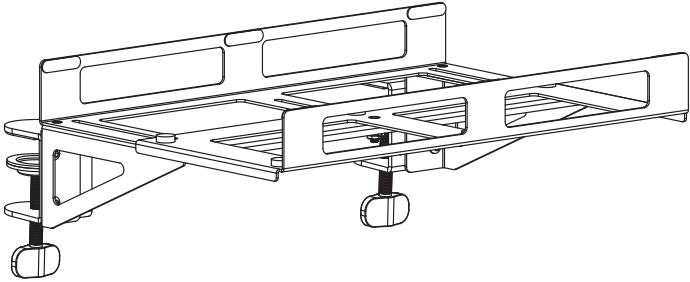




---

## Deskside and Wall Gaming PC Mount Instruction Manual



**SKU: MOUNT-PC07G**



Scan the QR code with your mobile device or follow the link for helpful videos and specifications related to this product.

<https://vivo-us.com/products/mount-pc07g>

---

**GET IN TOUCH** | Monday-Friday from 7:00am-7:00pm CST



help@vivo-us.com



www.vivo-us.com  
*Chat live with an agent!*



309-278-5303

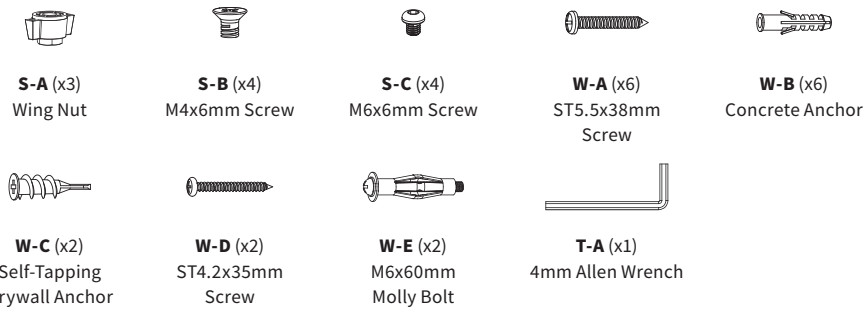
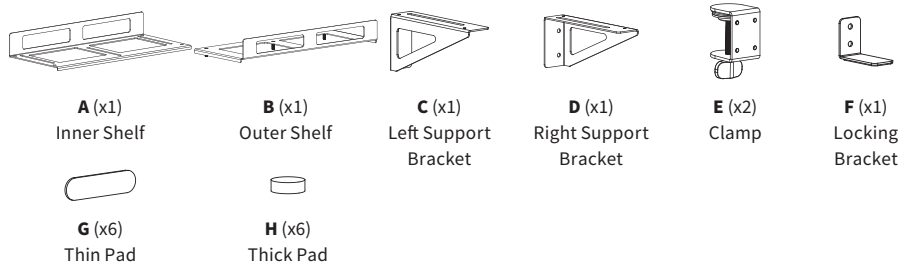
# ⚠️ WARNING!

If you do not understand these directions, or if you have any doubts about the safety of the installation, please call a qualified technician. Check carefully to make sure there are no missing or defective parts. Improper installation may cause damage or serious injury. Do not use this product for any purpose that is not explicitly specified in this manual. Do not exceed weight capacity. We cannot be liable for damage or injury caused by improper mounting, incorrect assembly or inappropriate use.

## ⚠️ WARNING: CHOKING HAZARD

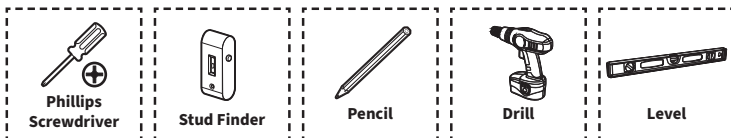
SMALL PARTS - NOT FOR CHILDREN UNDER 3 YEARS. ADULT SUPERVISION IS REQUIRED.

### PACKAGE CONTENTS



**NOTE: SOME HARDWARE INCLUDED MAY NOT BE USED**

### TOOLS NEEDED



**DO NOT EXCEED WEIGHT CAPACITY.**  
Failure to do so may result in serious injury.

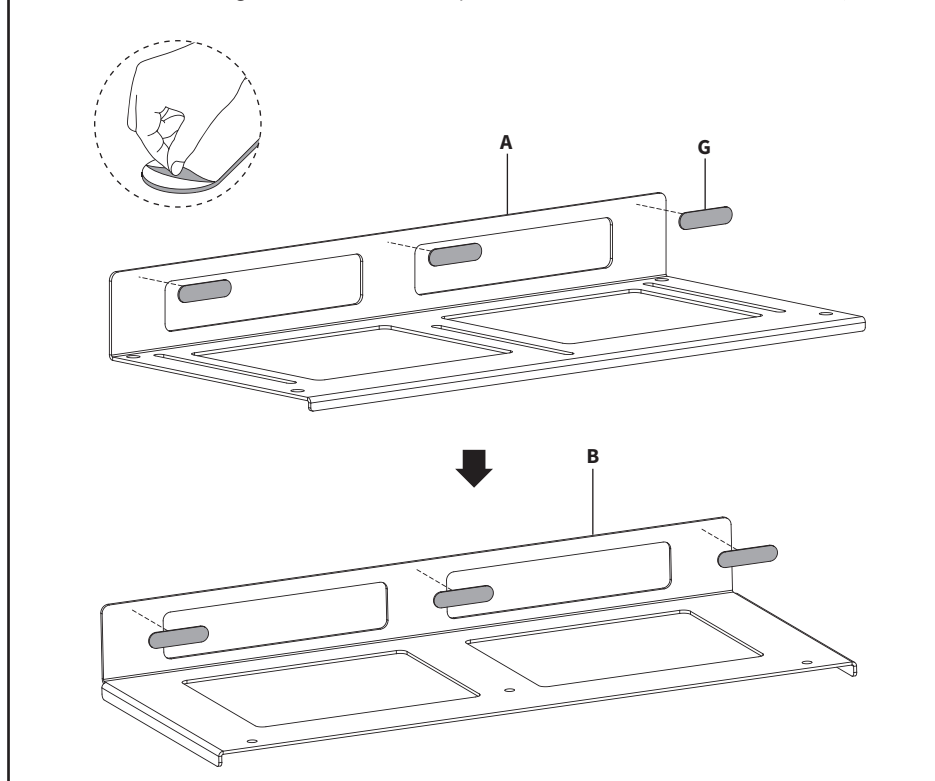
**66 lbs  
(30 kg)**  
Clamp/Wood/  
Concrete/Brick

**22 lbs  
(10 kg)**  
Drywall

## ASSEMBLY STEPS

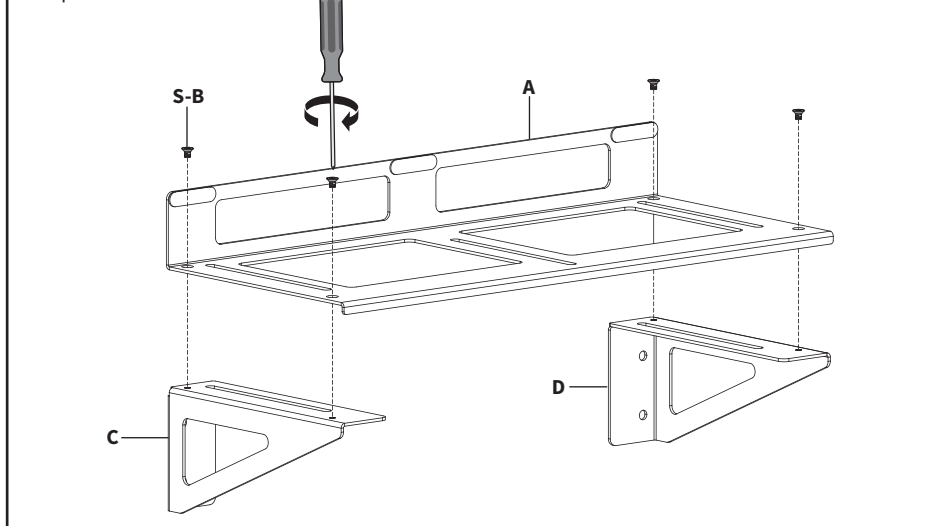
### STEP 1

Remove adhesive backing from Thin Pads (**G**) and place them onto Inner and Outer Shelves (**A,B**).



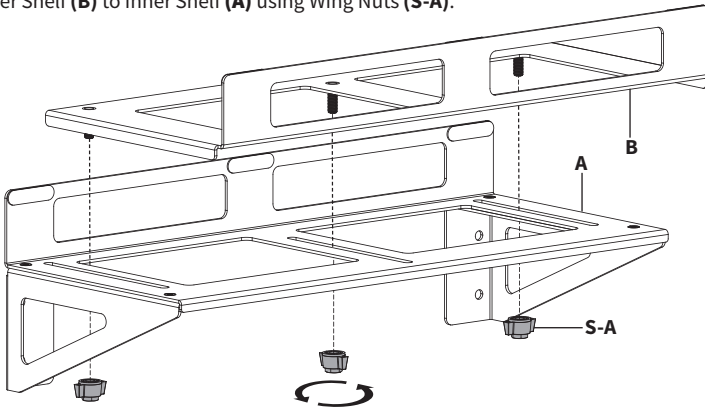
### STEP 2

Attach Left and Right Support Brackets (**C,D**) to Inner Shelf (**A**) using M4x6mm Screws (**S-B**) and a Phillips screwdriver.



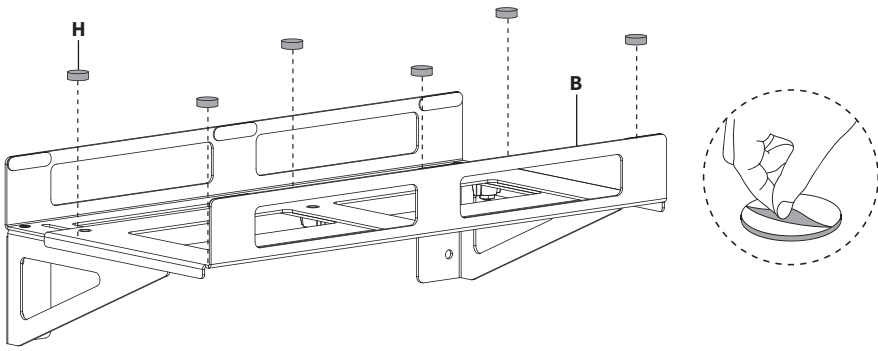
### STEP 3

Attach Outer Shelf (B) to Inner Shelf (A) using Wing Nuts (S-A).



### STEP 4

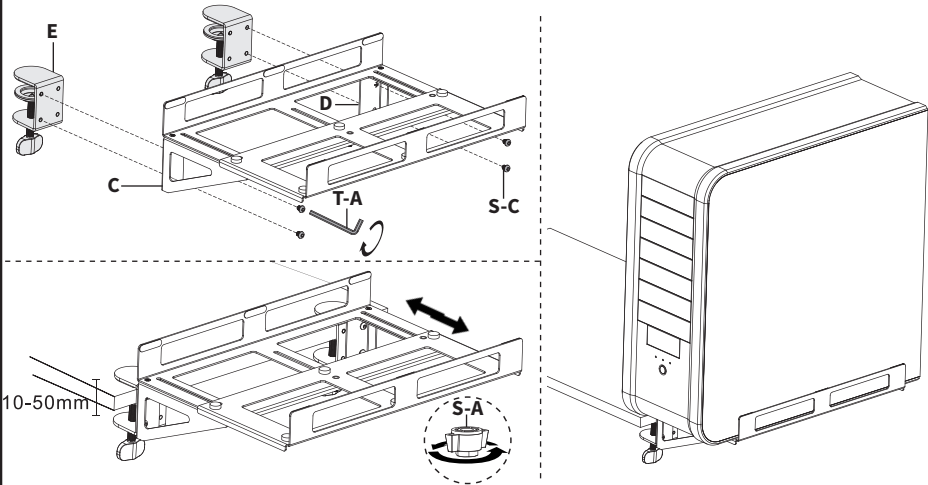
Remove adhesive backing from Thick Pads (H) and apply to Outer Shelf (B).



### STEP 5 (Option A)

#### Clamp Installation

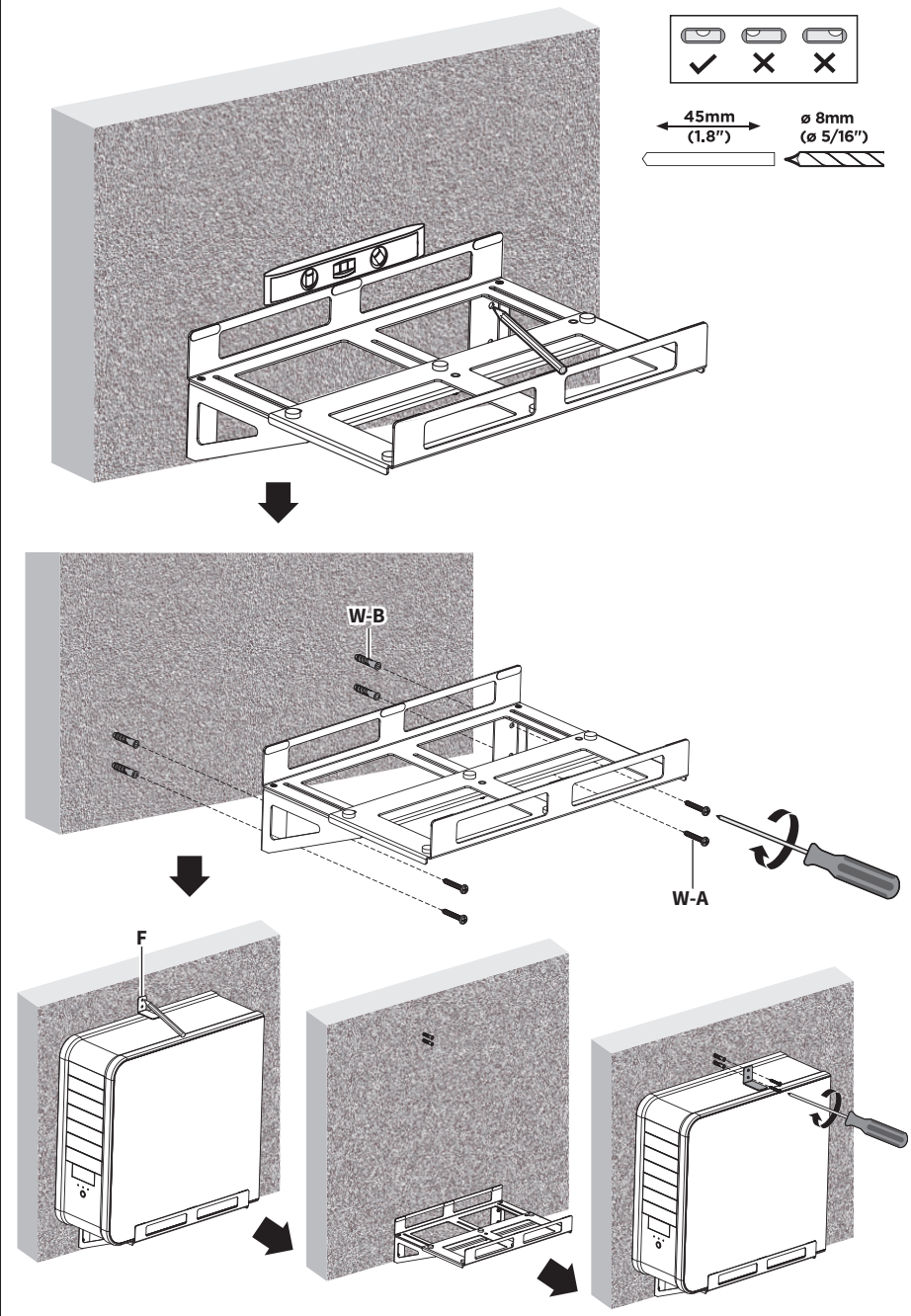
Attach Clamps (E) to Left and Right Support Brackets (C,D) using M6x6mm Screws (S-C) and 4mm Allen Wrench (T-A), so that the clamps are offset towards the center of the mount. Attach the mount assembly to a desktop and adjust the width using Wing Nuts (S-A) and place PC into the mount.



## STEP 5 (Option B)

### Concrete/Brick Wall Installation

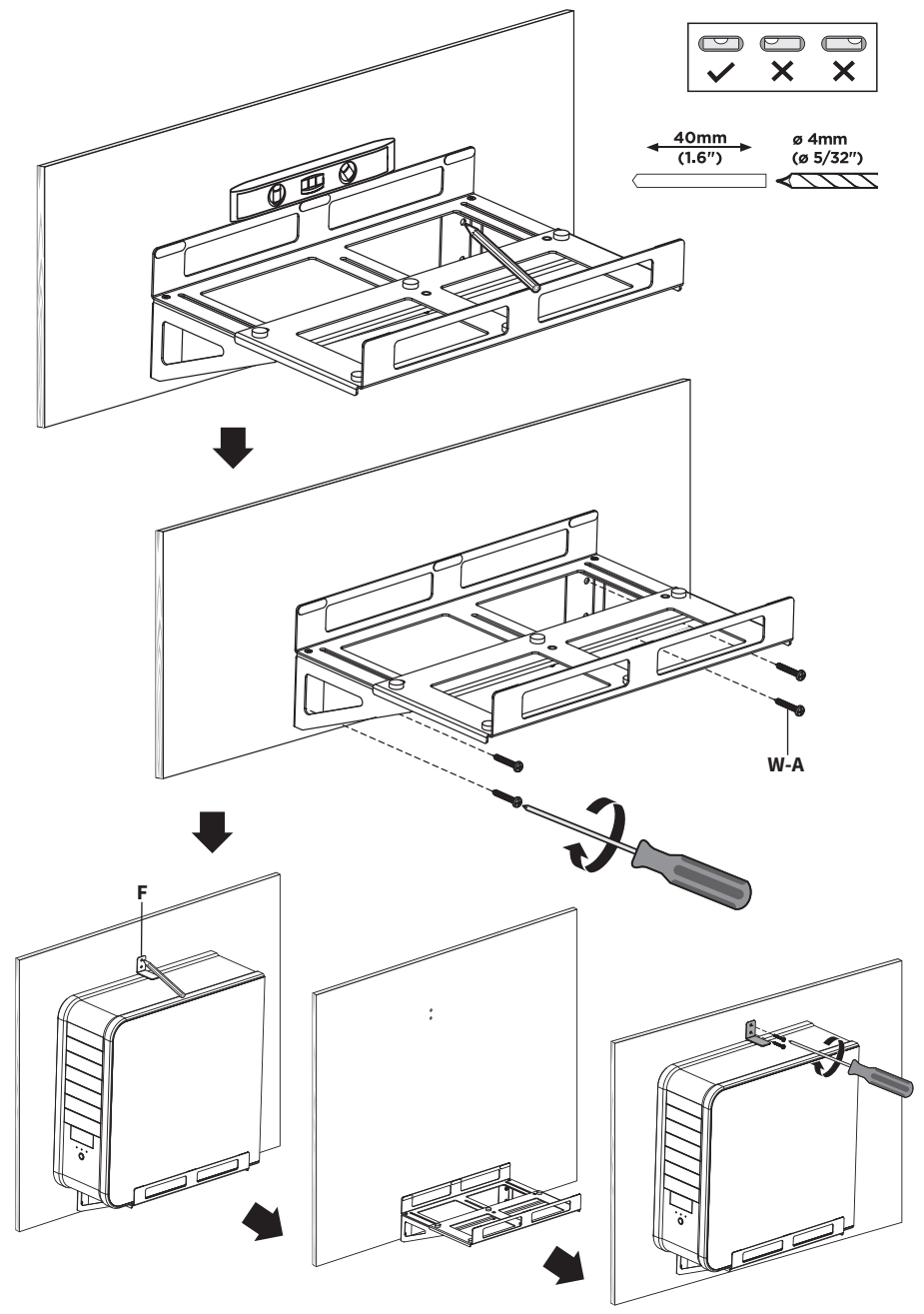
Hold the assembled mount to the wall and mark hole locations for drilling. Use of a level is highly recommended. Drill 1.8" (45mm) deep pilot holes using a 5/16" (8mm) drill bit. Press Concrete Anchors (W-B) into the wall and attach the mount using ST5.5x38mm Screws (W-A) and a Phillips screwdriver. Place PC in mount and hold Locking Bracket (F) to the wall directly above the PC. Mark hole locations and remove the PC from the mount. Drill 1.6" (40mm) deep pilot holes using a 5/16" (8mm) drill bit. Place the PC back into the mount and install Locking Bracket (F) using Concrete Anchors (W-B), ST5.5x38mm Screws (W-A), and a Phillips screwdriver.



# STEP 5 (Option C)

## Wood Wall Installation

Hold the assembled mount to the wall and mark hole locations for drilling. Use of a level is highly recommended. Drill 1.6" (40mm) deep pilot holes using a 5/32" (4mm) drill bit. Attach the mount using ST5.5x38mm Screws (**W-A**) and a Phillips screwdriver. Place PC in mount and hold Locking Bracket (**F**) to the wall directly above the PC. Mark hole locations and remove the PC from the mount. Drill 1.6" (40mm) deep pilot holes using a 5/32" (4mm) drill bit. Place the PC back into the mount and install Locking Bracket (**F**) using ST5.5x38mm Screws (**W-A**) and a Phillips screwdriver.

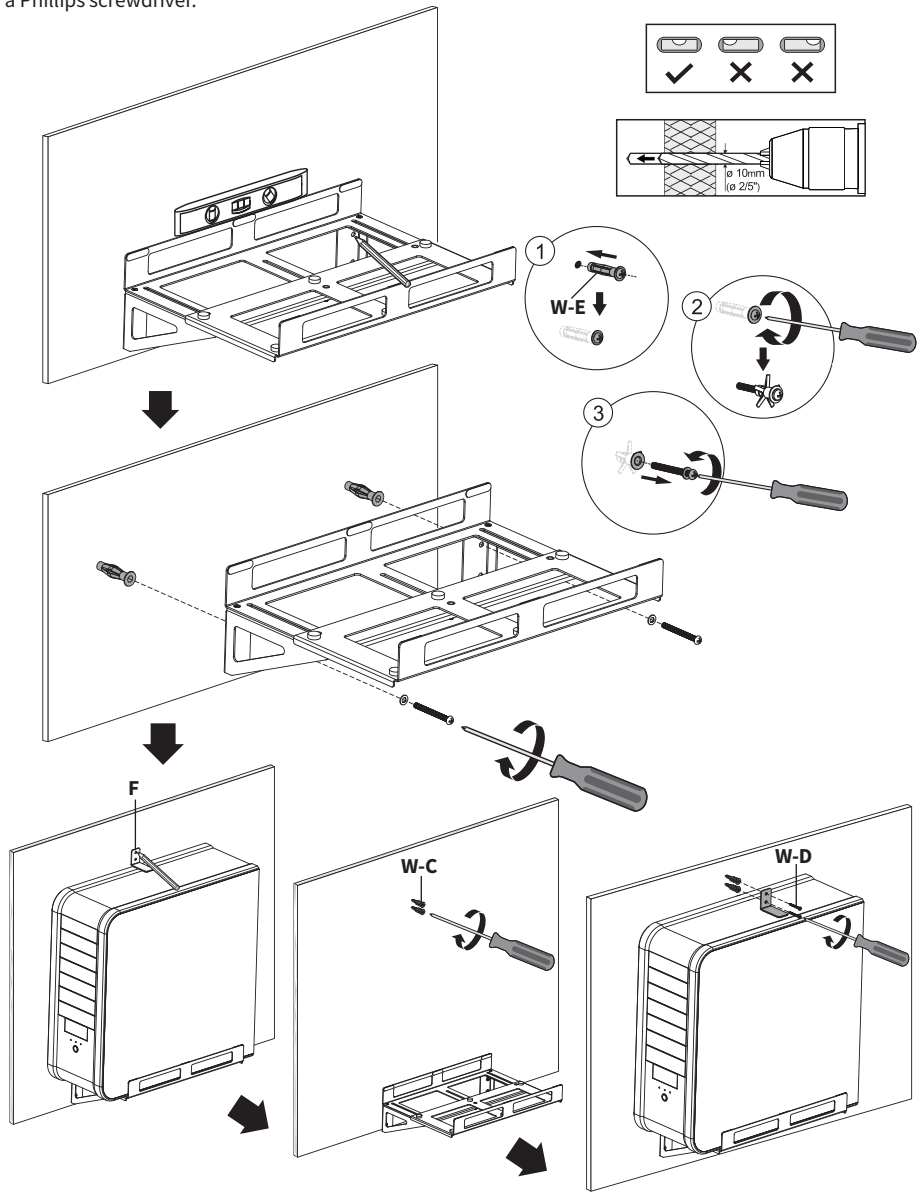


## STEP 5 (Option D)

### Drywall Installation

**WARNING: THIS INSTALLATION METHOD IS ONLY RATED FOR A 22LBS (10KG) MAX LOAD.**

Hold the assembled mount to the wall and mark hole locations for drilling. Only mark the top hole on each support bracket. Use of a level is highly recommended. Drill completely through the drywall using a 25/64" (10mm) drill bit. Tap M6x60mm Molly Bolts (**W-E**) into the drilled holes until flush with the wall. Use a Phillips screwdriver to tighten the screw to expand the anchor in the wall. Tighten until the anchor feels snug and the bolt resists hand-tightening. Remove the bolt and washer from the installed anchor. Install the assembled mount to the anchors using the previously removed bolts and washers. Place PC in the mount and hold Locking Bracket (**F**) to the wall directly above the PC. Mark hole locations and remove the PC from the mount. Screw Self-Tapping Drywall Anchors (**W-C**) into the wall at marked locations using a Phillips Screwdriver until the head of the anchor is flush with the wall. Place the PC back into the mount and install Locking Bracket (**F**) using ST4.2x35mm Screws (**W-D**) and a Phillips screwdriver.





Open **Monday - Friday 7:00am - 7:00pm** CST,  
our dedicated support team can offer immediate assistance with rapid response times. If any parts are received damaged or defective, please contact us. We are happy to replace parts to ensure you have a fully functioning product.



309-278-5303

**AVG. RESOLUTION TIME** (*within office hrs*): **5M 4S**



[www.vivo-us.com](http://www.vivo-us.com)  
*Chat live with an agent!*

**AVG. RESOLUTION TIME** (*within office hrs*): **< 15 M**



[help@vivo-us.com](mailto:help@vivo-us.com)

**AVG. RESPONSE TIME** (*within office hrs*): **1HR 8M**

- 23% within < 15m
- 38% within < 30m
- 61% within < 1hr
- 83% within < 2hr
- 92% within < 3hr