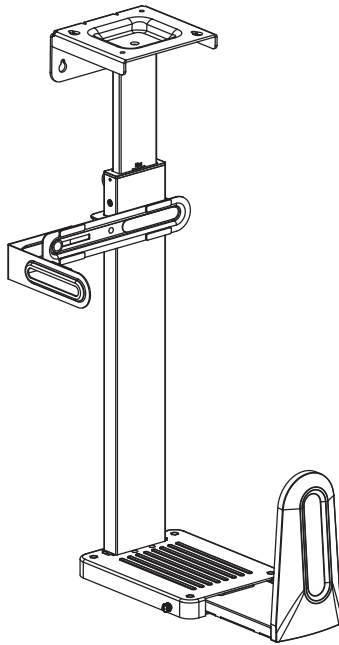




Large Under Desk PC Mount Instruction Manual



SKU: MOUNT-PC06L



Scan the QR code with your mobile device or follow the link for helpful videos and specifications related to this product.

<https://vivo-us.com/products/mount-pc06l>

GET IN TOUCH | Monday-Friday from 7:00am-7:00pm CST



help@vivo-us.com



www.vivo-us.com
Chat live with an agent!



309-278-5303

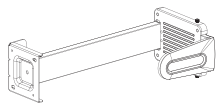
WARNING!

If you do not understand these directions, or if you have any doubts about the safety of the installation, please call a qualified technician. Check carefully to make sure there are no missing or defective parts. Improper installation may cause damage or serious injury. Do not use this product for any purpose that is not explicitly specified in this manual. Do not exceed weight capacity. We cannot be liable for damage or injury caused by improper mounting, incorrect assembly or inappropriate use.

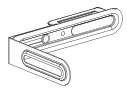
WARNING: CHOKING HAZARD

SMALL PARTS - NOT FOR CHILDREN UNDER 3 YEARS. ADULT SUPERVISION IS REQUIRED.

PACKAGE CONTENTS



A (x1)
Mount



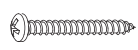
B (x1)
Brace



C (x6)
Pad



W-A (x4)
ST4.8x16mm
Screw



W-B (x4)
ST4.8x38mm
Screw



W-C (x4)
Concrete
Anchor



T-A (x1)
3mm Allen
Wrench

DO NOT EXCEED WEIGHT CAPACITY.
Failure to do so may result in serious injury.



TOOLS NEEDED



Drill



**Phillips
Screwdriver**

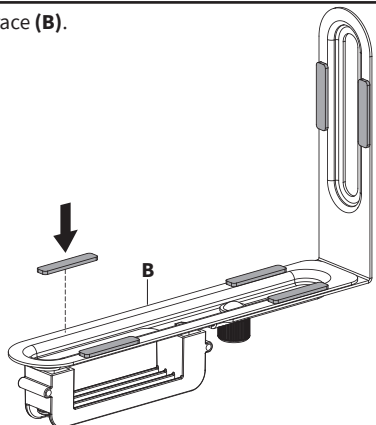
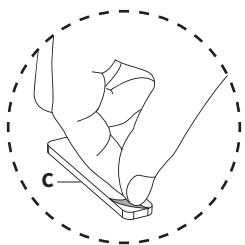


Pencil

ASSEMBLY STEPS

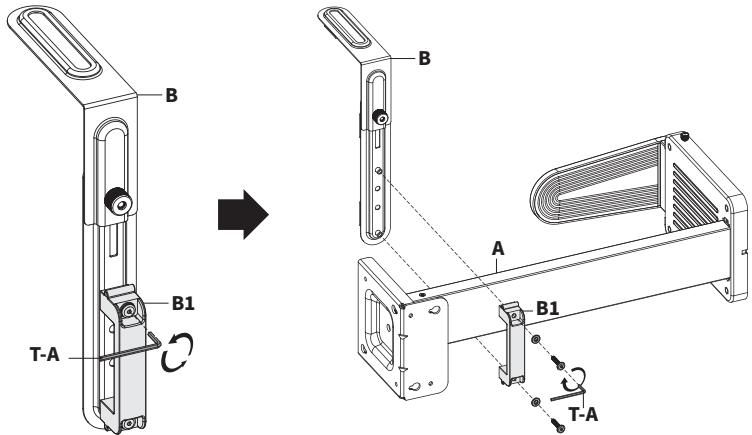
STEP 1

Remove protective film from Pads (**C**) and apply to Brace (**B**).



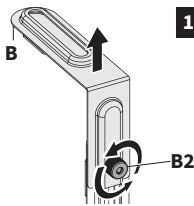
STEP 2

Remove the Support Bar (**B1**) from Brace (**B**) using the 3mm Allen Wrench (**T-A**). Install the Support Bar (**B1**) and Brace (**B**) onto Mount (**A**) using the previously removed hardware and 3mm Allen Wrench (**T-A**).



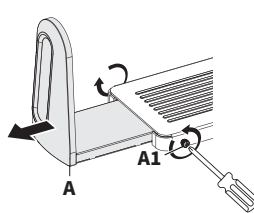
STEP 3

Adjust assembled mount as needed to fit your PC. This will help gauge the space consumed by the mount when determining your desired mounting location.



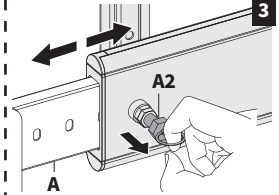
DEPTH:

Loosen Set Screw (**B2**) on Support Arm (**B**) and slide to adjust to desired PC depth, then retighten.



WIDTH:

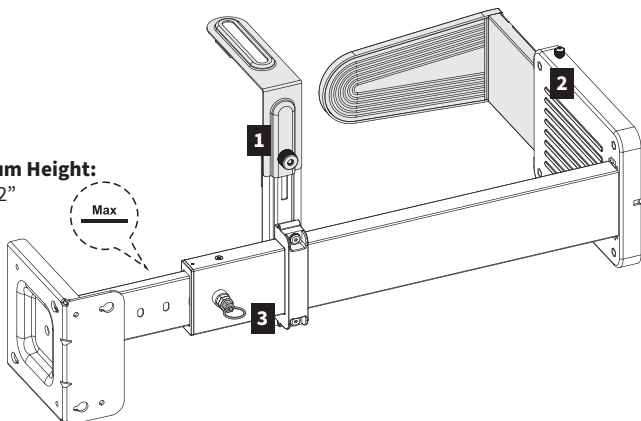
Use a Phillips screwdriver to loosen Set Screw (**A1**) on lower Mount (**A**), then pull to adjust to desired width and then retighten.



HEIGHT:

Pull and hold Side Pin (**A2**) on Mount (**A**) and adjust to desired height. Release pin when necessary height is reached.

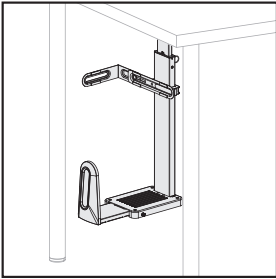
CPU Maximum Height:
656mm/25.82"



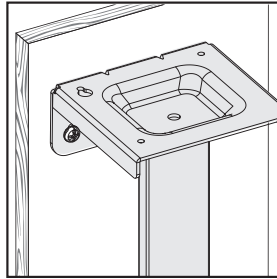
INSTALLATION STEPS

INSTALLATION OPTIONS:

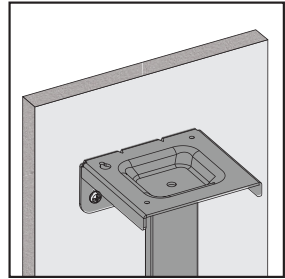
Choose your desired installation method and follow appropriate steps below.



Desk Mount
Page 4



Wood Wall Mount
Page 5

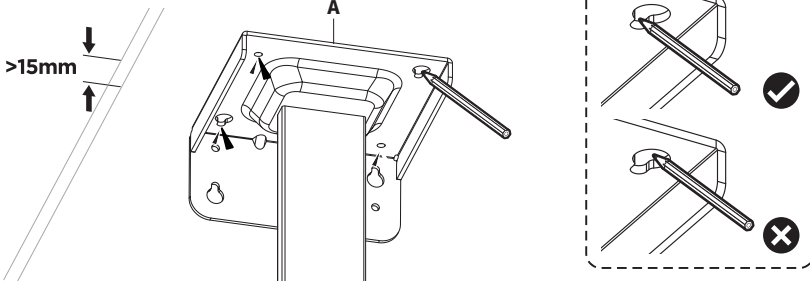


Brick/Cement Wall Mount
Page 6

Desk Mount

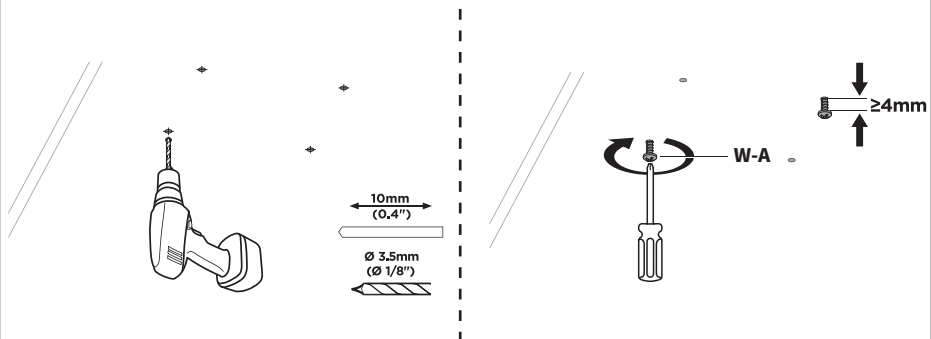
STEP 1

Hold Mount **(A)** up to desired mounting location and mark hole locations using a pencil. When marking the keyhole locations, ensure to only mark the narrow section of the keyhole.



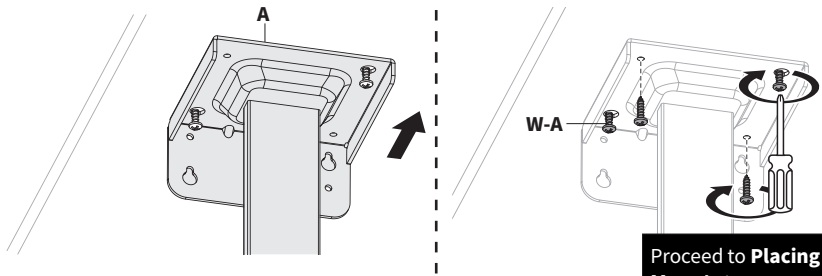
STEP 2

Drill 0.4" (10mm) deep holes using a 0.125" (3.5mm) drill bit. Using a Phillips screwdriver, partially install two ST4.8x16mm Screws **(W-A)** in-line with the keyhole locations on Mount **(A)** leaving at least a 4mm gap.



STEP 3

Hang Mount **(A)** over screws, making sure they are in the larger part of the keyhole openings. Slide the mount toward the narrow keyhole opening to lock into place. The screw heads should now be holding up the unit. Tighten the screws fully and install the remaining two ST4.8x16mm Screws **(W-A)** using a Phillips screwdriver.

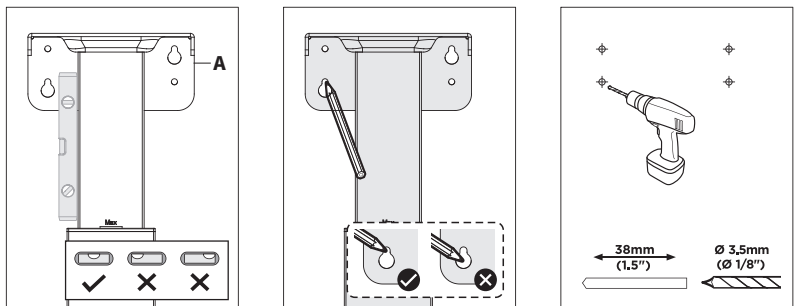


Proceed to **Placing PC in Mount** step on page 7.

Wood Wall Mount

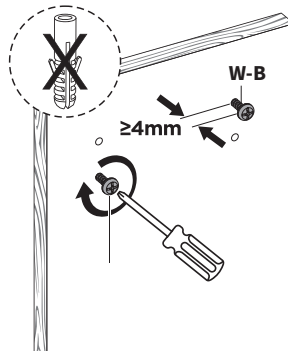
STEP 1

Hold Mount **(A)** up to desired mounting location and mark hole locations using a pencil. When marking the keyhole locations, ensure to only mark the narrow section of the keyhole. Drill 1.5" (38mm) deep holes using a 0.125" (3.5mm) drill bit.



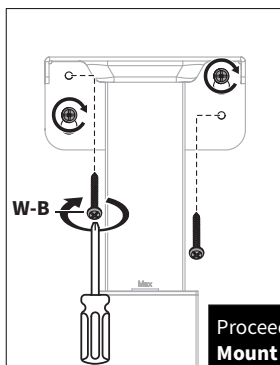
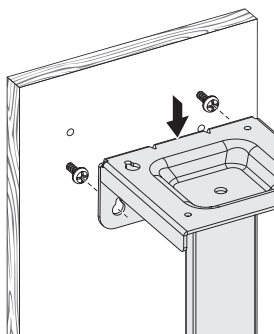
STEP 2

Using a Phillips screwdriver, partially install two ST4.8x38mm Screws **(W-B)** in-line with the keyhole locations on Mount **(A)** leaving at least a 4mm gap.



STEP 3

Hang Mount **(A)** over screws, making sure they are in the larger part of the keyhole openings. Slide the mount toward the narrow keyhole opening to lock into place. The screw heads should now be holding up the unit. Tighten the screws and install the remaining two ST4.8x38mm Screws **(W-B)** using a Phillips screwdriver.

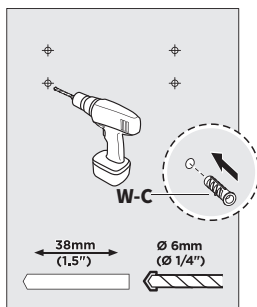
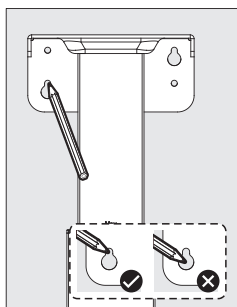
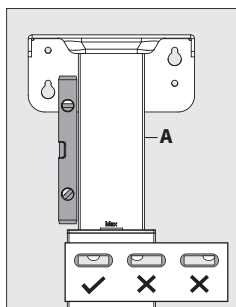


Proceed to **Placing PC in Mount** step on page 7.

Concrete/Brick Wall Mount

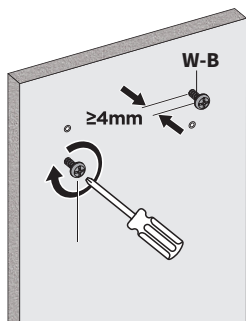
STEP 1

Hold Mount **(A)** up to desired mounting location and mark hole locations using a pencil. When marking the keyhole locations, ensure to only mark the narrow section of the keyhole. Drill 1.5" (38mm) deep holes using a 0.25" (6mm) drill bit. Insert Concrete Anchors **(W-C)** into the drilled holes.



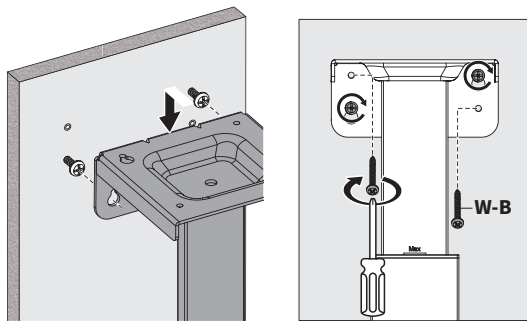
STEP 2

Using a Phillips screwdriver, partially install two ST4.8x38mm Screws **(W-B)** in-line with the keyhole locations on Mount **(A)** leaving at least a 4mm gap.



STEP 3

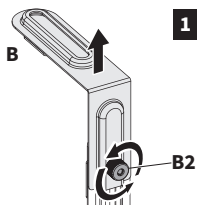
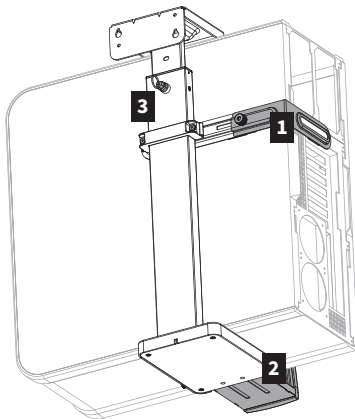
Hang Mount **(A)** over screws, making sure they are in the larger part of the keyhole openings. Slide the mount toward the narrow keyhole opening to lock into place. The screw heads should now be holding up the unit. Tighten the screws and install the remaining two ST4.8x38mm Screws **(W-B)** using a Phillips screwdriver.



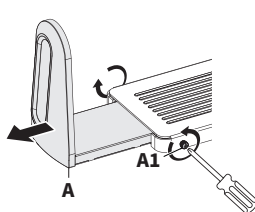
Placing PC in Mount

ALL INSTALLATION TYPES:

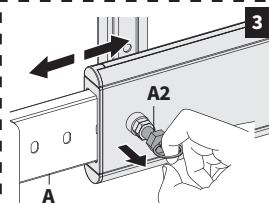
Place your PC on Mount **(A)** and adjust the back brace and side support locations as needed. Use 3mm Allen Wrench **(T-A)** to loosen the the Support Bar **(B1)** on Brace **(B)** and adjust the height to clear any cables protruding from the PC.



DEPTH:
Loosen Set Screw **(B2)** on Support Arm **(B)** and slide to adjust to desired PC depth, then retighten.



WIDTH:
Use a Phillips screwdriver to loosen Set Screw **(A1)** on lower Mount **(A)**, then pull to adjust to desired width and then retighten.



HEIGHT:
Pull and hold Side Pin **(A2)** on Mount **(A)** and adjust to desired height. Release pin when necessary height is reached.



Open **Monday - Friday 7:00am - 7:00pm** CST,
our dedicated support team can offer immediate assistance with rapid response times. If any parts are received damaged or defective, please contact us. We are happy to replace parts to ensure you have a fully functioning product.



309-278-5303

AVG. RESOLUTION TIME (*within office hrs*): **5M 4S**



www.vivo-us.com
Chat live with an agent!

AVG. RESOLUTION TIME (*within office hrs*): **< 15 M**



help@vivo-us.com

AVG. RESPONSE TIME (*within office hrs*): **1HR 8M**

- 23% within < 15m
- 38% within < 30m
- 61% within < 1hr
- 83% within < 2hr
- 92% within < 3hr