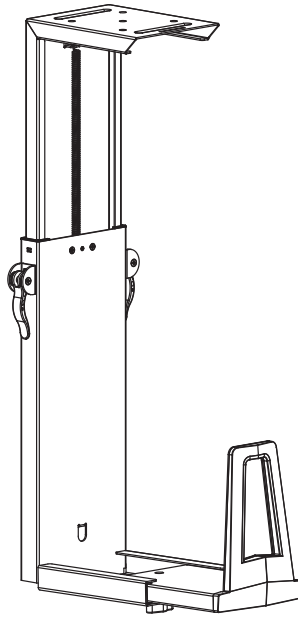


Heavy Duty Under Desk Gaming PC Mount Instruction Manual



SKU: MOUNT-PC06E



Scan the QR code with your mobile device or follow the link for helpful videos and specifications related to this product.

<https://vivo-us.com/products/mount-pc06e>

GET IN TOUCH | Monday-Friday from 7:00am-7:00pm CST



help@vivo-us.com



www.vivo-us.com
Chat live with an agent!



309-278-5303





WARNING!

If you do not understand these directions, or if you have any doubts about the safety of the installation, please contact our product support team at 309-278-5303 or help@vivo-us.com for further assistance. Check carefully to make sure there are no missing or defective parts. Improper installation may cause damage or serious injury. Do not use this product for any purpose that is not explicitly specified in this manual. Do not exceed weight capacity. We cannot be liable for damage or injury caused by improper mounting, incorrect assembly or inappropriate use.

WARNING: CHOKING HAZARD

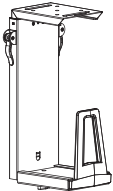
SMALL PARTS - NOT FOR CHILDREN UNDER 3 YEARS. ADULT SUPERVISION IS REQUIRED.

DO NOT EXCEED WEIGHT CAPACITY.

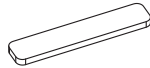
Failure to do so may result in serious injury.



PACKAGE CONTENTS



A (x1)
Mount



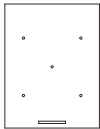
S-A (x9)
Pad



M-A (x5)
ST5.5x16mm



M-B (x5)
M5 Washer



T-A (x1)
Mounting
Template

TOOLS NEEDED



Drill



**Phillips
Screwdriver**



Pencil

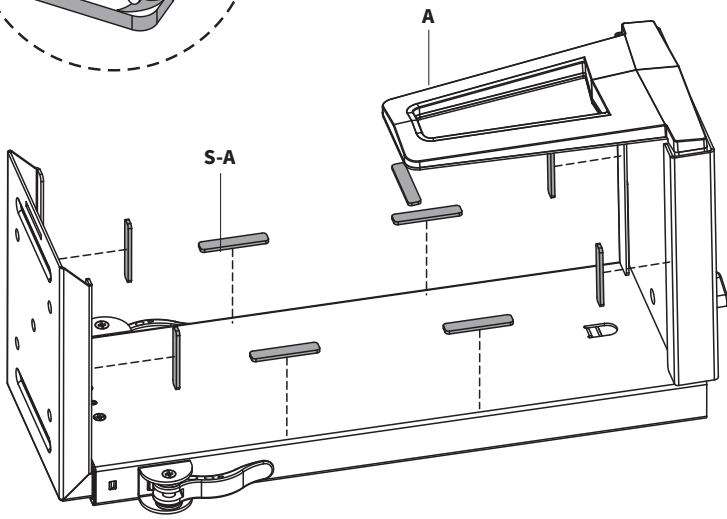
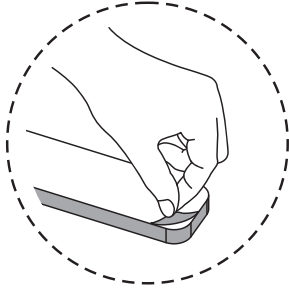




ASSEMBLY STEPS

STEP 1

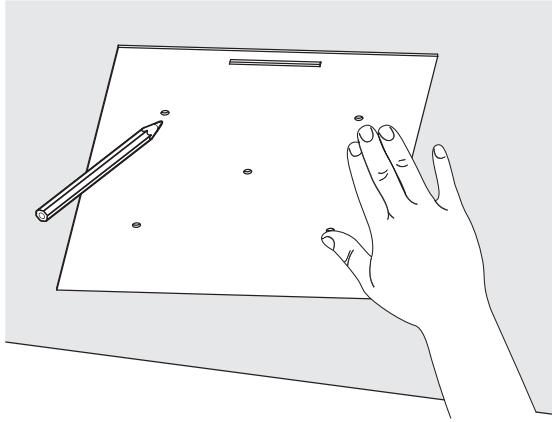
Apply Pads (**S-A**) to top, bottom, and side of Mount (**A**) as shown.



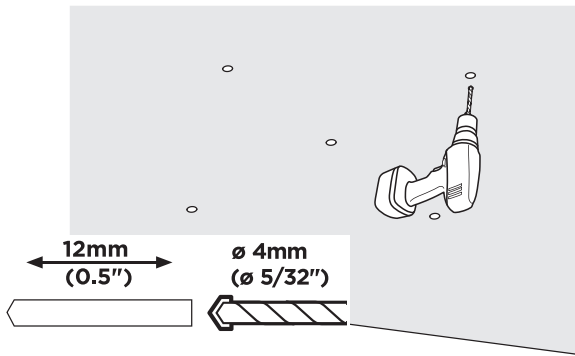


STEP 2

Hold the Mounting Template (**T-A**) up to the desired location on the underside of the desk and mark the hole locations with a pencil.



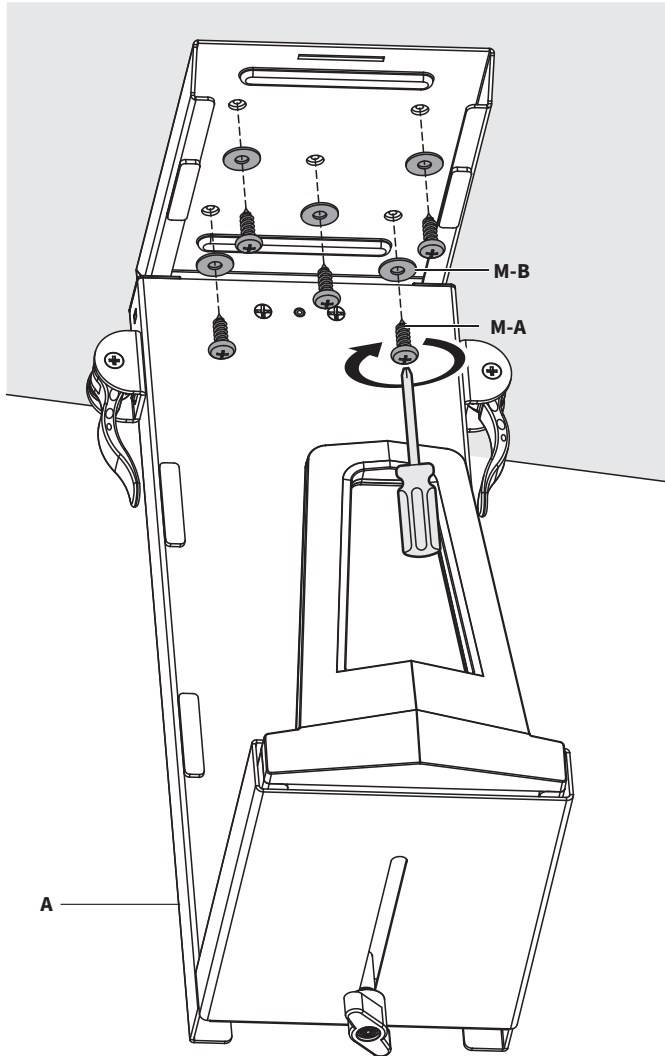
Use a 5/32" (4mm) drill bit to drill the holes 1/2" (12mm) deep.





STEP 3

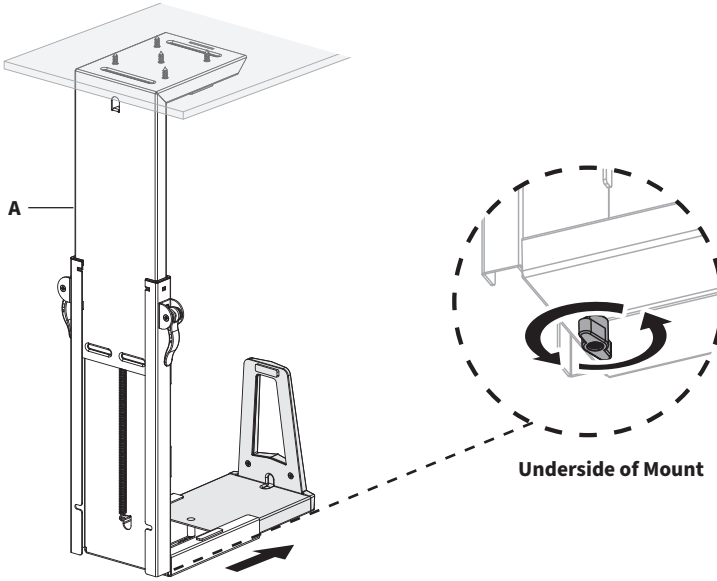
Assemble Mount **(A)** to the desktop using ST4.8x16mm Screws **(M-A)**, M5 Washers **(M-B)** and a Phillips screwdriver.



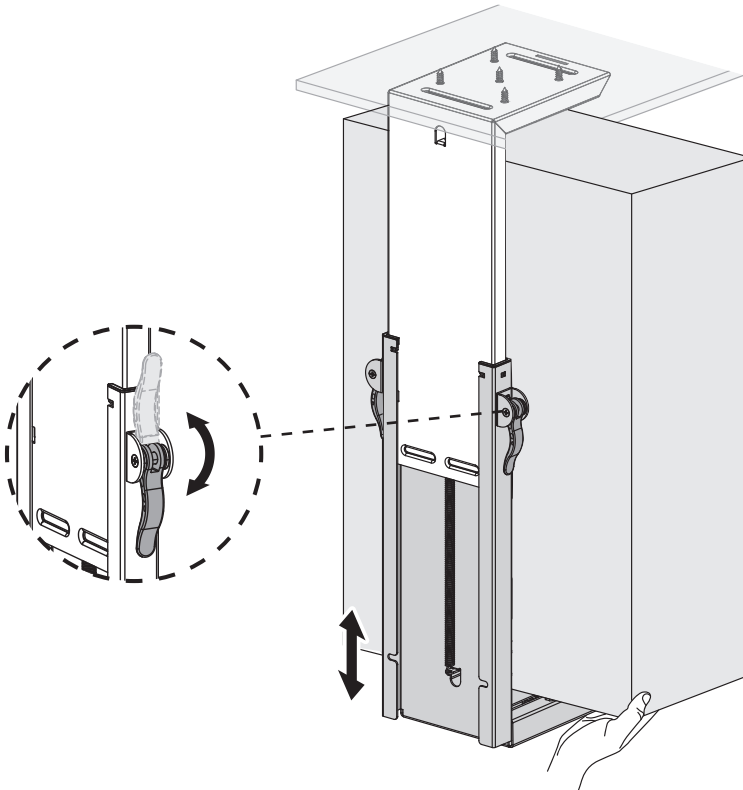


STEP 4

Loosen the knob underneath Mount **(A)** to adjust the width, and flip the lever on the side up to adjust the height. Insert the PC.



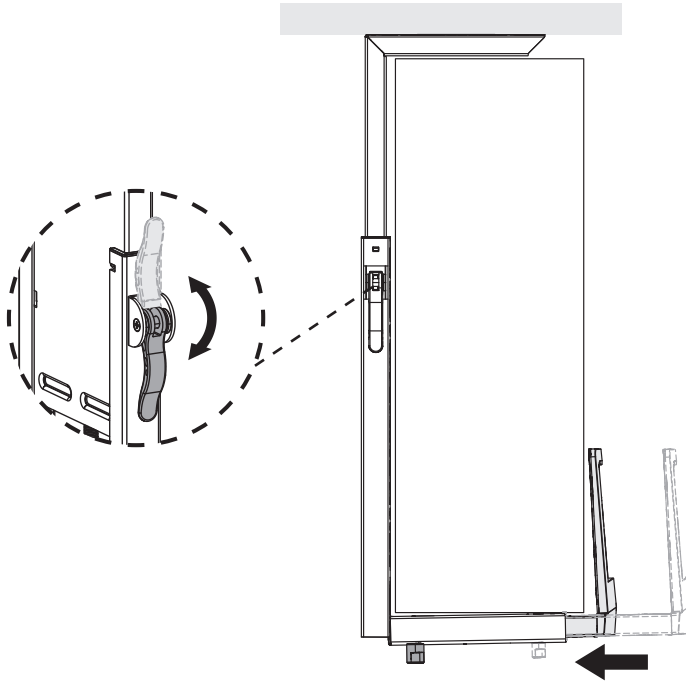
Underside of Mount



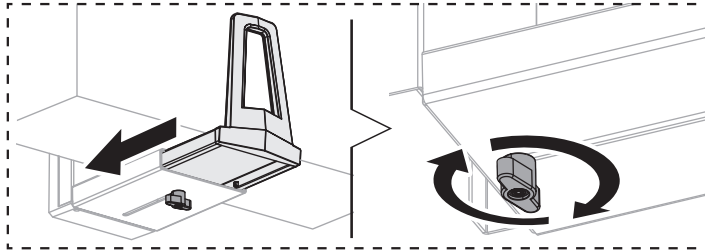


STEP 5

Once the PC is in place, tighten knob underneath Mount **(A)** and flip the lever on the side down to lock it into place.



Underside of Mount





Love your new VIVO setup and want to share?
Tag us in your photo! **@vivo_us**

LAST UPDATED: 08/04/2023
REV1.1



Open **Monday - Friday 7:00am - 7:00pm** CST,

our dedicated support team can offer immediate assistance with rapid response times. If any parts are received damaged or defective, please contact us. We are happy to replace parts to ensure you have a fully functioning product.



309-278-5303

AVG. RESOLUTION TIME *(within office hrs):* **5M 4S**



www.vivo-us.com
Chat live with an agent!

AVG. RESOLUTION TIME *(within office hrs):* **< 15 M**



help@vivo-us.com

AVG. RESPONSE TIME *(within office hrs):* **1HR 8M**

- 23% within < 15m
- 38% within < 30m
- 61% within < 1hr
- 83% within < 2hr
- 92% within < 3hr

FOR MORE VIVO PRODUCTS, CHECK OUT OUR WEBSITE AT: www.vivo-us.com

