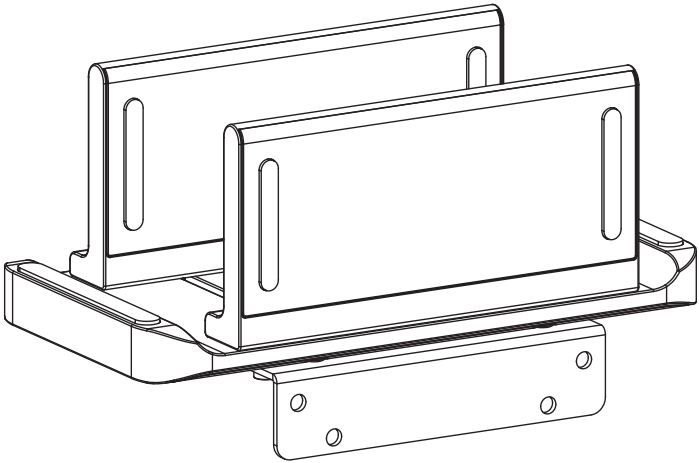




Multifunctional Thin Client PC Mount Instruction Manual



SKU: MOUNT-PC05M



Scan the QR code with your mobile device or follow the link for helpful videos and specifications related to this product.

<https://vivo-us.com/products/mount-pc05m>

GET IN TOUCH | Monday-Friday from 7:00am-7:00pm CST



help@vivo-us.com



www.vivo-us.com
Chat live with an agent!



309-278-5303

WARNING!

If you do not understand these directions, or if you have any doubts about the safety of the installation, please call a qualified technician. Check carefully to make sure there are no missing or defective parts. Improper installation may cause damage or serious injury. Do not use this product for any purpose that is not explicitly specified in this manual and do not exceed weight capacity. We cannot be liable for damage or injury caused by improper mounting, incorrect assembly, or inappropriate use.

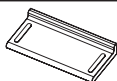
WARNING: CHOKING HAZARD

SMALL PARTS - NOT FOR CHILDREN UNDER 3 YEARS. ADULT SUPERVISION IS REQUIRED.

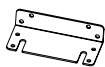
PACKAGE CONTENTS



A (x1)
Base



B (x2)
Support Wall



C (x1)
Mounting Bracket



S-A (x4)
M4x8mm Screw



S-B (x4)
M4x12mm Screw



M-A (x4)
M4x12mm Screw



M-B (x4)
M4x16mm Screw



M-C (x4)
M5x12mm Screw



M-D (x4)
M5x16mm Screw



M-E (x4)
M5 Washer

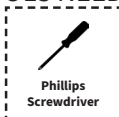


M-F (x4)
Spacer



T-A (x1)
3mm Allen Wrench

TOOLS NEEDED



Phillips
Screwdriver

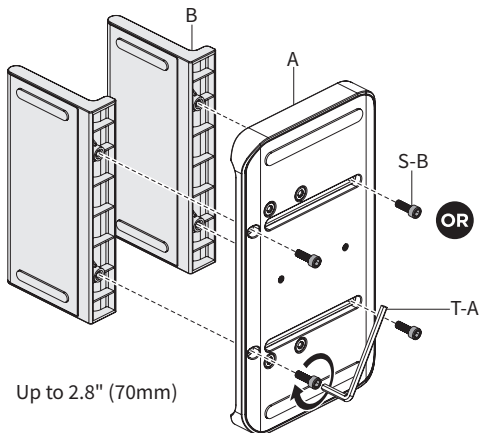
DO NOT EXCEED WEIGHT CAPACITY.
Failure to do so may result in serious injury.



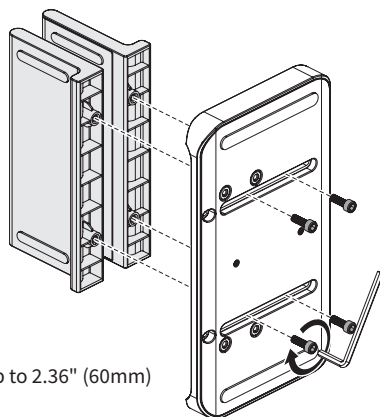
ASSEMBLY STEPS

STEP 1

Install Support Walls (**B**) to Base (**A**) in one of two configurations as shown below, using M4x12mm Screws (**S-B**) and 3mm Allen Wrench (**T-A**).



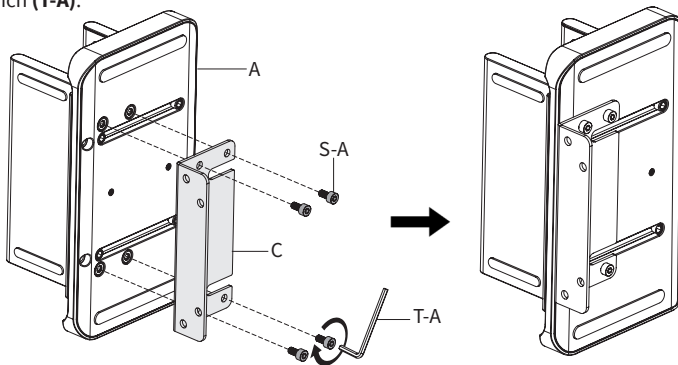
Up to 2.8" (70mm)



Up to 2.36" (60mm)

STEP 2

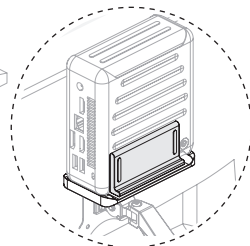
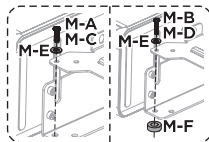
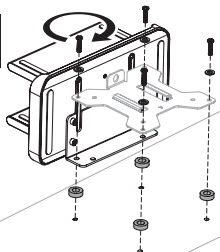
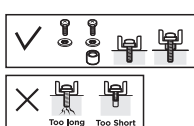
Assemble Mounting Bracket (C) to the underside of Base (A) using M4x8mm Screws (S-A) and 3mm Allen Wrench (T-A).



STEP 3

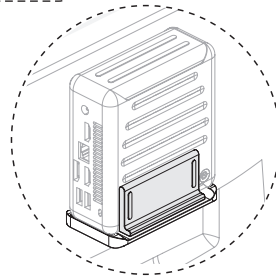
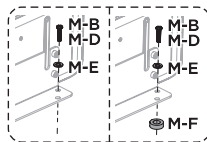
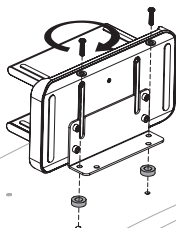
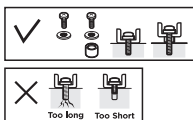
OPTION A: Monitor Arm Mounting

Secure the assembly to the monitor along with the existing mount's VESA plate using Screws (M-A or M-D) and M5 Washers (M-E). For curved monitors, use Screws (M-B or M-D) with Spacers (M-F). Tighten screws using a Phillips screwdriver.



OPTION B: Direct VESA Mounting

Secure the assembly to the monitor's VESA holes using Screws (M-A or M-D) and M5 Washers (M-E). For curved monitors, use Screws (M-B or M-D) with Spacers (M-F). Tighten screws using a Phillips screwdriver.





Love your new VIVO setup and want to share?
Tag us in your photo! [@vivo_us](#)

LAST UPDATED: 09/26/2022
REV1



Open **Monday - Friday 7:00am - 7:00pm** CST,
our dedicated support team can offer immediate assistance with rapid response times. If any parts are received damaged or defective, please contact us. We are happy to replace parts to ensure you have a fully functioning product.



309-278-5303

AVG. RESOLUTION TIME (*within office hrs*): **5M 4S**



www.vivo-us.com
Chat live with an agent!

AVG. RESOLUTION TIME (*within office hrs*): **< 15 M**



help@vivo-us.com

AVG. RESPONSE TIME (*within office hrs*): **1HR 8M**

- 23% within < 15m
- 38% within < 30m
- 61% within < 1hr
- 83% within < 2hr
- 92% within < 3hr

FOR MORE VIVO PRODUCTS, CHECK OUT OUR WEBSITE AT: www.vivo-us.com