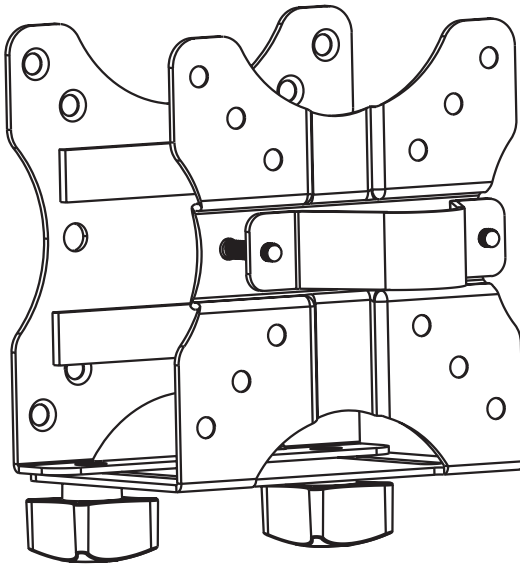




Multifunctional Thin Client PC Mount

Instruction Manual



SKU: MOUNT-PC05C



Scan the QR code with your mobile device or follow the link for helpful videos and specifications related to this product.

<https://vivo-us.com/products/mount-pc05c>

GET IN TOUCH | Monday-Friday from 7:00am-7:00pm CST



help@vivo-us.com



www.vivo-us.com
Chat live with an agent!



309-278-5303

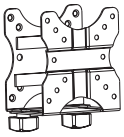
WARNING!

If you do not understand these directions, or if you have any doubts about the safety of the installation, please call a qualified technician. Check carefully to make sure there are no missing or defective parts. Improper installation may cause damage or serious injury. Do not use this product for any purpose that is not explicitly specified in this manual. Do not exceed weight capacity. We cannot be liable for damage or injury caused by improper mounting, incorrect assembly or inappropriate use.

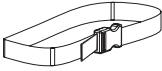
WARNING: CHOKING HAZARD

SMALL PARTS - NOT FOR CHILDREN UNDER 3 YEARS. ADULT SUPERVISION IS REQUIRED.

PACKAGE CONTENTS



A (x1)
Mount



B (x1)
Strap



C (x1)
Pole Mount
Bracket



D (x3)
Adhesive Pad



S-A (x2)
M5x25mm
Screws



M-A (x8)
M4x12



M-B (x4)
Washer



M-C (x4)
Nut



W-A (x4)
ST4.8x16 Screw

NOTE: SOME HARDWARE MAY NOT BE USED

TOOLS NEEDED



**Phillips
Screwdriver**



**Adjustable
Wrench**

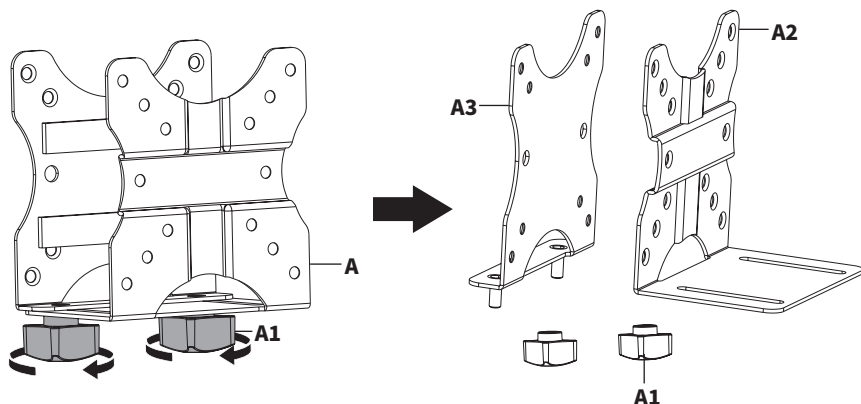
DO NOT EXCEED WEIGHT CAPACITY.

Failure to do so may result in serious injury.



PRE-ASSEMBLY STEPS

Remove Knobs (A1) from Mount (A) and separate Back Mount (A2) from Front Mount (A3).



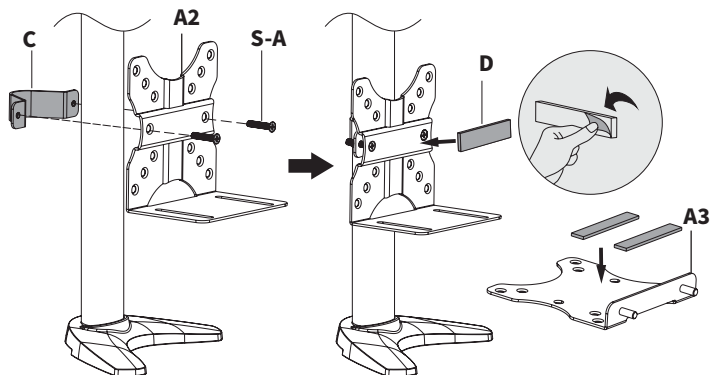
Mount can be installed in one of three ways: Pole Mount, Under Desk, VESA Mount. Choose your preferred method and proceed to appropriate steps.

ASSEMBLY OPTION 1: POLE MOUNT

STEP 1

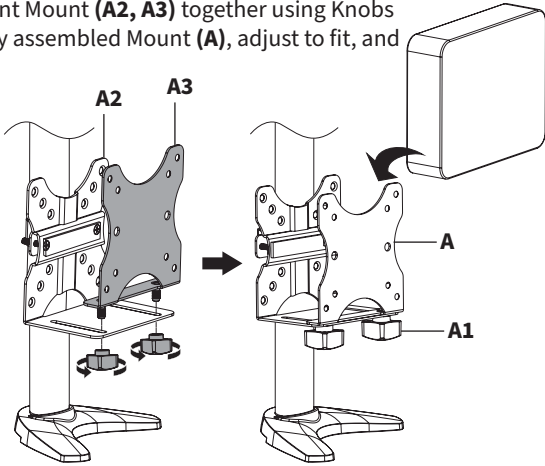
Attach Back Mount (A2) and Pole Mount Bracket (C) around your monitor mount pole and secure using M5x25mm Screws (S-A) and a Phillips screwdriver. Apply one Adhesive Pad (D) to the assembled mount and two Pads to Front Mount (A3).

NOTE: Pole diameter must be 30mm to 40mm in diameter for mount to fit.

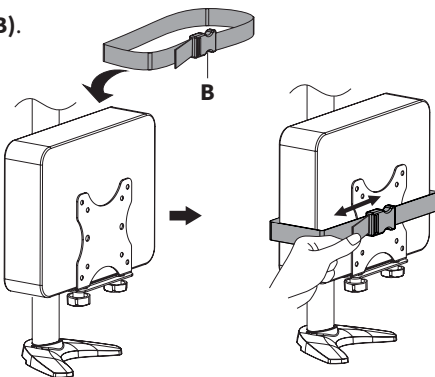


STEP 2

Reconnect Back and Front Mount (**A2, A3**) together using Knobs (**A1**). Place PC into newly assembled Mount (**A**), adjust to fit, and tighten Knobs (**A1**).



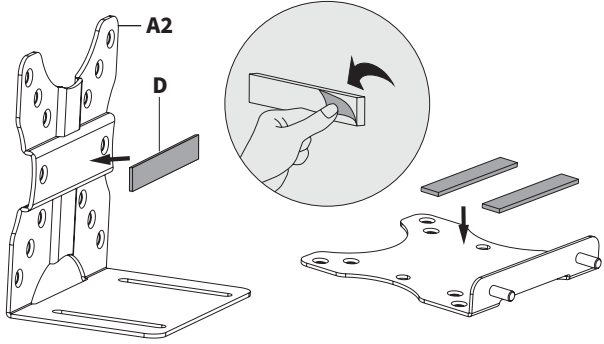
Secure PC using Strap (**B**).



ASSEMBLY OPTION 2: UNDER DESK

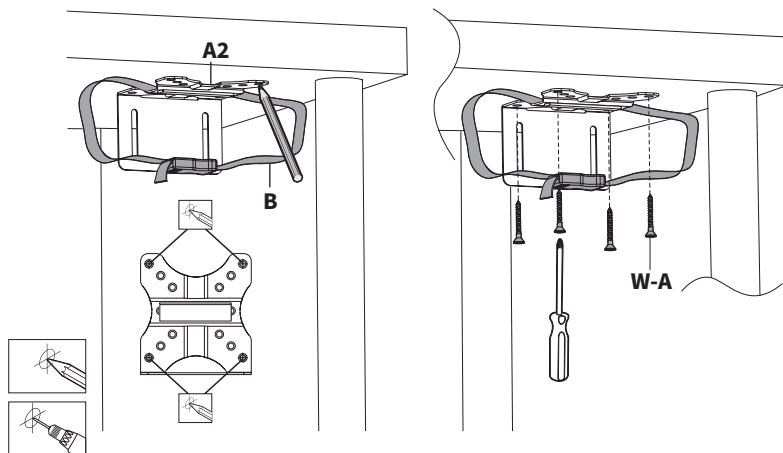
STEP 1

Apply one Adhesive Pad (**D**) to Back Mount (**A2**) and two Pads to Front Mount (**A3**).

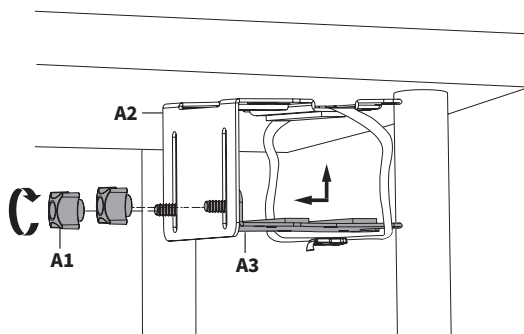


STEP 2

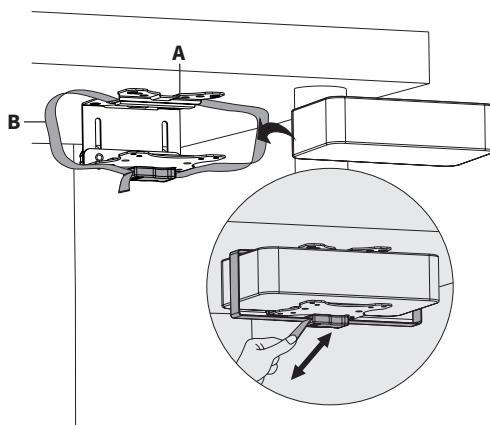
Use outer four holes on Back Mount (**A2**) to mark drilling locations on the underside of the desk. Drill holes no deeper than 5/8" (16mm) using a 3/16" (2.4mm) bit. With Strap (**B**) fit into the slot, secure Back Mount (**A2**) to the desk using ST4.8x16mm Screws (**W-A**).



Reconnect Back and Front Mount (**A2, A3**) together using Knobs (**A1**).



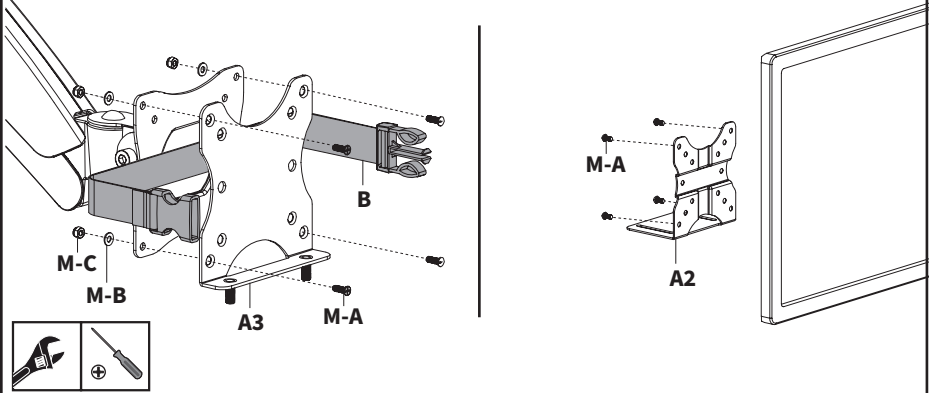
Place PC into Mount (**A**), adjust to fit, and tighten Knobs (**A1**). Secure PC using the Strap (**B**).



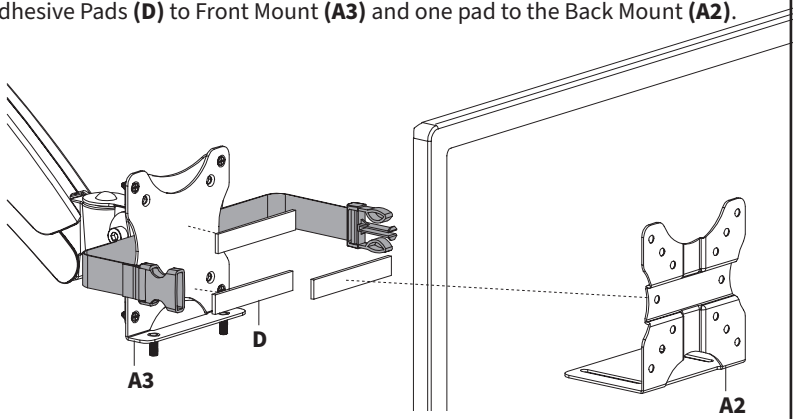
ASSEMBLY OPTION 3: VESA MOUNT

STEP 1

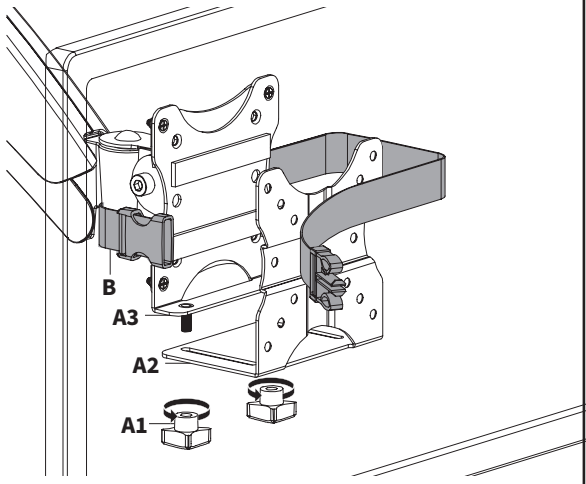
Attach Front Mount (**A3**) to the VESA plate on your monitor arm with Strap (**B**) in-between, using M4x12mm Screws (**M-A**), Washers (**M-B**), Nuts (**M-C**), a Phillips screwdriver, and an adjustable wrench. Secure Back Mount (**A2**) to your monitor using M4x12mm Screws (**M-A**) and a Phillips screwdriver.



Apply two Adhesive Pads (**D**) to Front Mount (**A3**) and one pad to the Back Mount (**A2**).

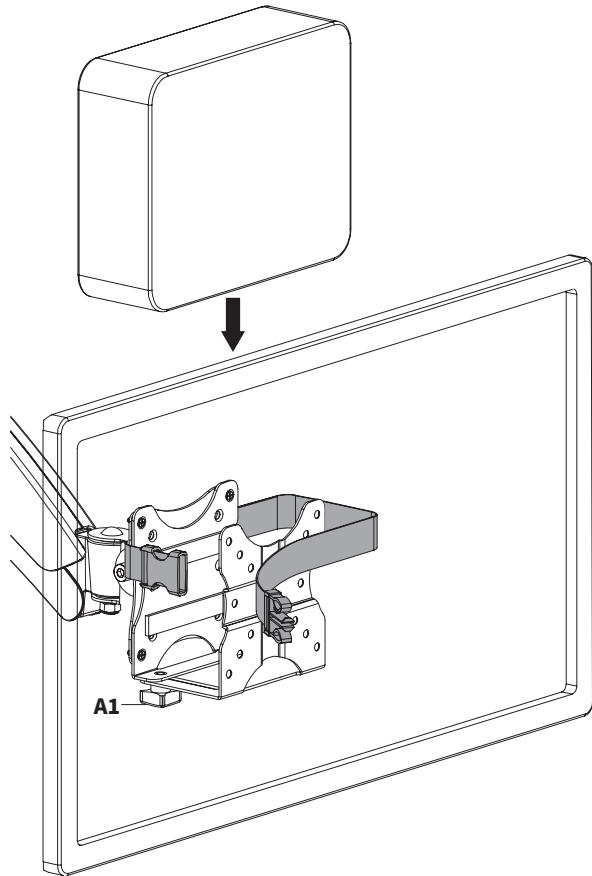


Secure Back Mount (**A2**) to Front Mount (**A3**) use Knobs (**A1**). Make sure that Strap (**B**) buckle is on the side.

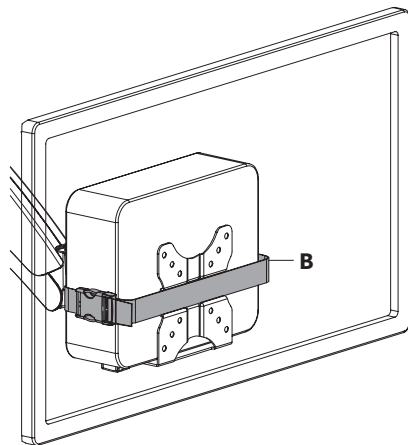


STEP 2

Place PC into mount, adjust to fit, and tighten Knobs **(A1)**.



Secure PC using Strap **(B)**.





Open **Monday - Friday 7:00am - 7:00pm** CST,

our dedicated support team can offer immediate assistance with rapid response times. If any parts are received damaged or defective, please contact us. We are happy to replace parts to ensure you have a fully functioning product.



309-278-5303

AVG. RESOLUTION TIME (within office hrs): **5M 4S**



www.vivo-us.com
Chat live with an agent!

AVG. RESOLUTION TIME (within office hrs): **< 15 M**



help@vivo-us.com

AVG. RESPONSE TIME (within office hrs): **1HR 8M**

- 23% within < 15m
- 38% within < 30m
- 61% within < 1hr
- 83% within < 2hr
- 92% within < 3hr