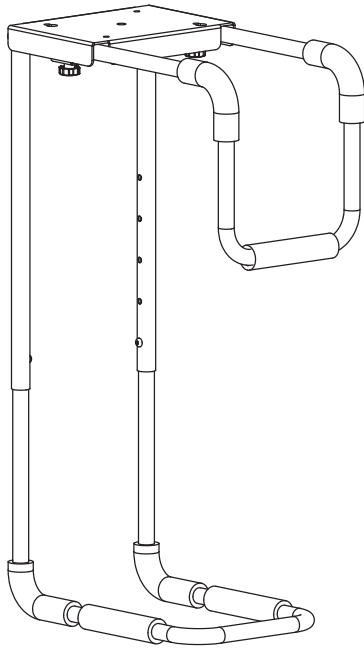




Large Heavy Duty Under Desk PC Mount Instruction Manual



SKU: MOUNT-PC04L



Scan the QR code with your mobile device or follow the link for helpful videos and specifications related to this product.

<https://vivo-us.com/products/mount-pc04l>

GET IN TOUCH | Monday-Friday from 7:00am-7:00pm CST



help@vivo-us.com



www.vivo-us.com
Chat live with an agent!



309-278-5303

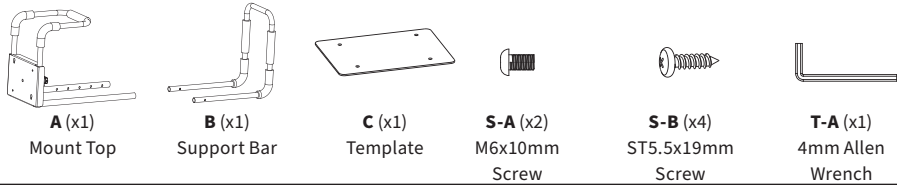
WARNING!

If you do not understand these directions, or if you have any doubts about the safety of the installation, please call a qualified technician. Check carefully to make sure there are no missing or defective parts. Improper installation may cause damage or serious injury. Do not use this product for any purpose that is not explicitly specified in this manual. Do not exceed weight capacity. We cannot be liable for damage or injury caused by improper mounting, incorrect assembly or inappropriate use.

WARNING: CHOKING HAZARD

SMALL PARTS - NOT FOR CHILDREN UNDER 3 YEARS. ADULT SUPERVISION IS REQUIRED.

PACKAGE CONTENTS



TOOLS NEEDED

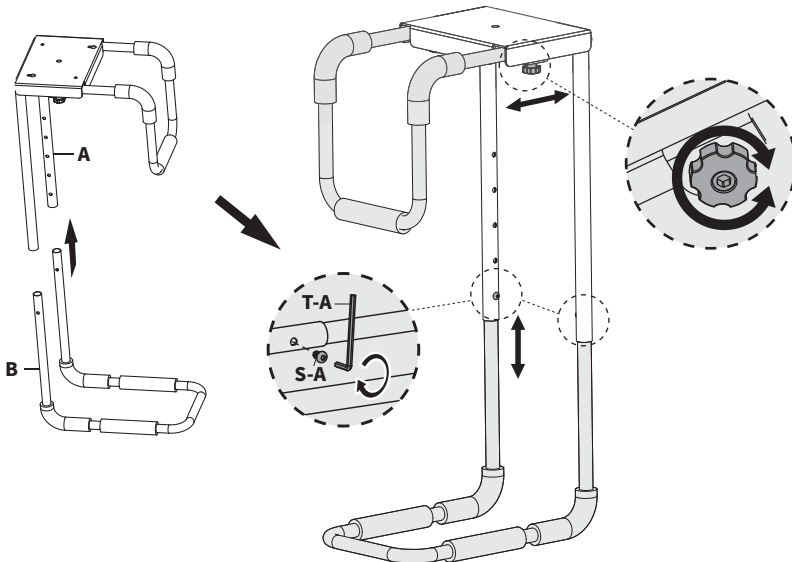


DO NOT EXCEED WEIGHT CAPACITY.
Failure to do so may result in serious injury.

ASSEMBLY STEPS

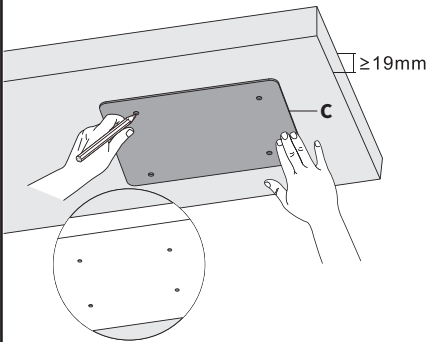
STEP 1

Connect Mount Top (A) to Support Bar (B). Place your PC into the assembled mount and loosen the knobs on the top of the PC mount to adjust to the desired width. Install M6x10mm Screws (S-A) when at desired height. Tight knobs.



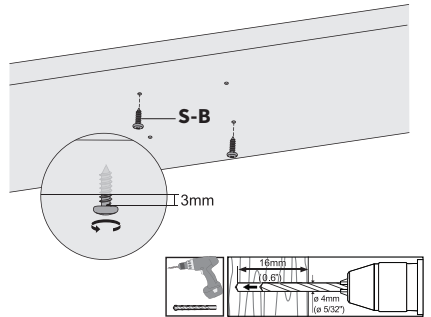
STEP 2

Using Template **(C)**, mark drilling locations on the underside of the desktop in the desired location.



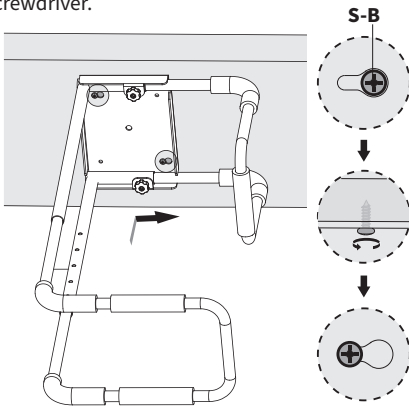
STEP 3

Use a 5/32 (4mm) drill bit to drills holes 0.6" (16mm) deep. Screw in ST5.5x19mm Screws **(S-B)** inline with the keyhole slots on the mount, using a phillips head screwdriver, leaving 1/8" (3mm) of space between the desktop and the screw head.



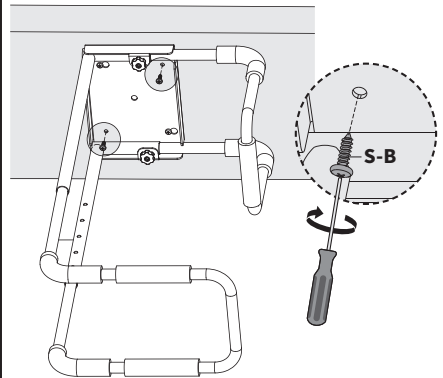
STEP 4

Slide assembled mount into place using the keyhole slots on the top plate and fully secure the ST5.5x19mm Screws **(S-B)** using a Phillips screwdriver.



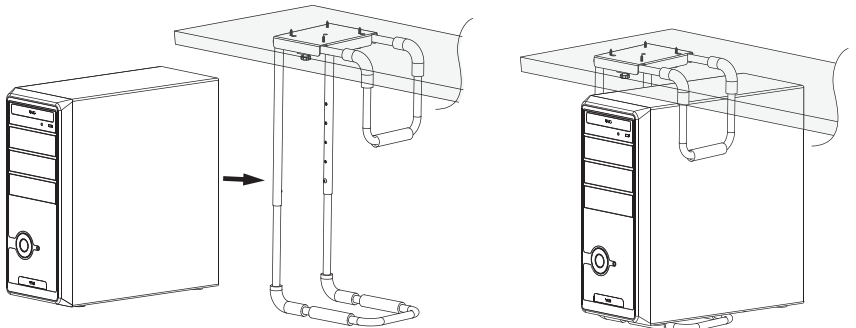
STEP 5

Screw in the remaining ST5.5x19mm Screws **(S-B)** using phillips head screwdriver.



STEP 6

Place CPU tower in mount. Adjust support bars if needed.





Love your new VIVO setup and want to share?
Tag us in your photo! **@vivo_us**

LAST UPDATED: 05/08/2023
REV1



Open **Monday - Friday 7:00am - 7:00pm** CST,
our dedicated support team can offer immediate assistance with rapid response times. If any parts are received damaged or defective, please contact us. We are happy to replace parts to ensure you have a fully functioning product.



309-278-5303

AVG. RESOLUTION TIME (*within office hrs*): **5M 4S**



www.vivo-us.com
Chat live with an agent!

AVG. RESOLUTION TIME (*within office hrs*): **< 15 M**



help@vivo-us.com

AVG. RESPONSE TIME (*within office hrs*): **1HR 8M**

- 23% within < 15m
- 38% within < 30m
- 61% within < 1hr
- 83% within < 2hr
- 92% within < 3hr

FOR MORE VIVO PRODUCTS, CHECK OUT OUR WEBSITE AT: www.vivo-us.com