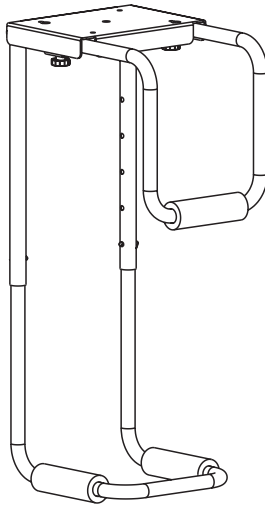




---

## Heavy Duty Under Desk PC Mount

### Instruction Manual



**SKU: MOUNT-PC04A**



Scan the QR code with your mobile device or follow the link for helpful videos and specifications related to this product.

<https://vivo-us.com/products/mount-pc04a>

---

GET IN TOUCH | Monday-Friday from 7:00am-7:00pm CST



help@vivo-us.com



www.vivo-us.com  
*Chat live with an agent!*



309-278-5303

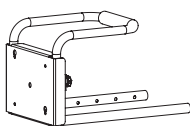
# ⚠ WARNING!

If you do not understand these directions, or if you have any doubts about the safety of the installation, please call a qualified technician. Check carefully to make sure there are no missing or defective parts. Improper installation may cause damage or serious injury. Do not use this product for any purpose that is not explicitly specified in this manual. Do not exceed weight capacity. We cannot be liable for damage or injury caused by improper mounting, incorrect assembly or inappropriate use.

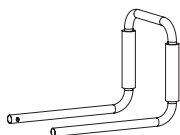
## ⚠ WARNING: CHOKING HAZARD

SMALL PARTS - NOT FOR CHILDREN UNDER 3 YEARS. ADULT SUPERVISION IS REQUIRED.

### PACKAGE CONTENTS



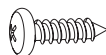
**A** (x1)  
CPU Mount



**B** (x1)  
Support Bar



**C** (x1)  
Drill Guide



**D** (x4)  
Screw

### TOOLS NEEDED



Drill



Phillips  
Screwdriver

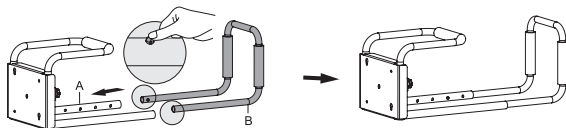
DO NOT EXCEED WEIGHT CAPACITY.  
Failure to do so may result in serious injury.



### ASSEMBLY STEPS

#### STEP 1

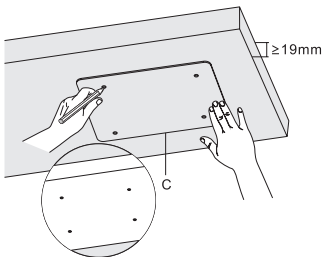
Press locking pins on support bar (**B**) and insert into CPU Mount (**A**).



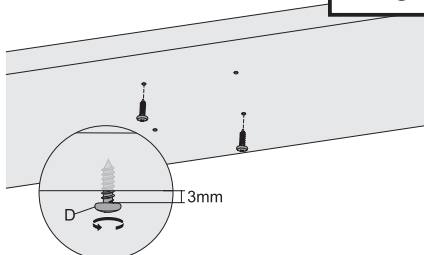
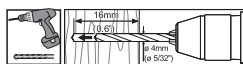
#### STEP 2

Position drill guide (**C**) on underside of desktop and mark drilling locations with a pencil.

**NOTE:** Desktop thickness must be at least 3/4" (19mm).



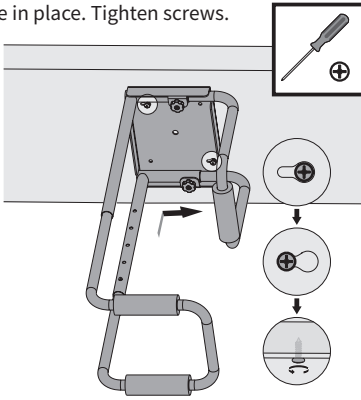
#### STEP 3



Drill 0.6" (16mm) deep holes at marked locations using a 5/32" (4mm) drill bit. Insert screws (**D**) at front-left and rear-right locations, leaving 1/8" (3mm) of thread exposed.

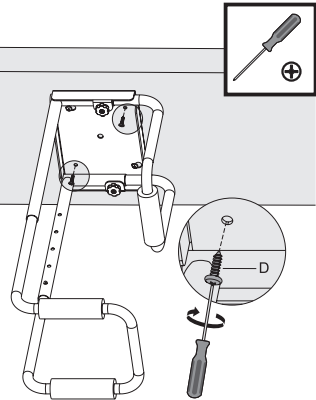
## STEP 4

Position keyholes in CPU mount (A) over screws and slide in place. Tighten screws.



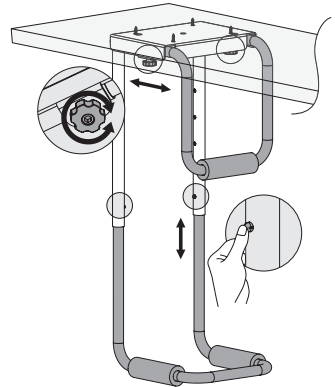
## STEP 5

Tighten screws (D) into remaining holes.



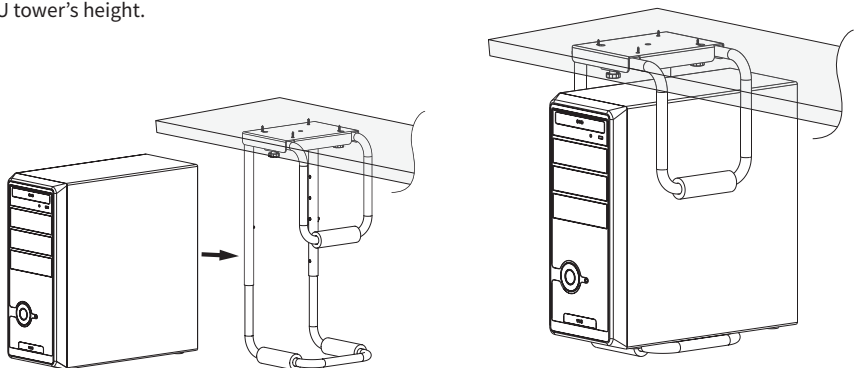
## STEP 6

Loosen knobs and adjust side support bar to fit CPU tower width. Press locking pins and lower support bar to the lowest position if needed.



## STEP 7

Place CPU tower in mount and raise support bar to the highest possible position according to your CPU tower's height.





Open **Monday - Friday 7:00am - 7:00pm** CST,

our dedicated support team can offer immediate assistance with rapid response times. If any parts are received damaged or defective, please contact us. We are happy to replace parts to ensure you have a fully functioning product.


 [help@vivo-us.com](mailto:help@vivo-us.com)

**AVG. RESPONSE TIME** (*within office hrs*): **1HR 8M**

- 23% within < 15m
- 38% within < 30m
- 61% within < 1hr
- 83% within < 2hr
- 92% within < 3hr

 [www.vivo-us.com](http://www.vivo-us.com)  
*Chat live with an agent!*

**AVG. RESOLUTION TIME** (*within office hrs*): **< 15 M**

 309-278-5303

**AVG. RESOLUTION TIME** (*within office hrs*): **5M 4S**