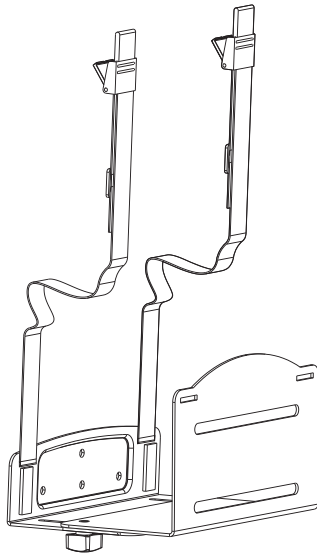




Universal PC Wall Mount

Instruction Manual



SKU: MOUNT-PC03V



Scan the QR code with your mobile device or follow the link for helpful videos and specifications related to this product.

<https://vivo-us.com/products/mount-pc03v>

GET IN TOUCH | Monday-Friday from 7:00am-7:00pm CST



help@vivo-us.com



www.vivo-us.com
Chat live with an agent!



309-278-5303

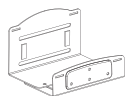
WARNING!

If you do not understand these directions, or if you have any doubts about the safety of the installation, please call a qualified technician. Check carefully to make sure there are no missing or defective parts. Improper installation may cause damage or serious injury. Do not use this product for any purpose that is not explicitly specified in this manual. Do not exceed weight capacity. We cannot be liable for damage or injury caused by improper mounting, incorrect assembly or inappropriate use.

WARNING: CHOKING HAZARD

SMALL PARTS - NOT FOR CHILDREN UNDER 3 YEARS. ADULT SUPERVISION IS REQUIRED.

PACKAGE CONTENTS



A (x1)
CPU Holder



B (x2)
Straps



C (x2)
Knob



D (x2)
ST4.2x45



E (x4)
ST4.2x32



F (x4)
Drywall
Anchor



G (x4)
Washer

TOOLS NEEDED



Drill



Phillips
Screwdriver

DO NOT EXCEED WEIGHT CAPACITY.

Failure to do so may result in serious injury.

**22lbs
(10kg)**

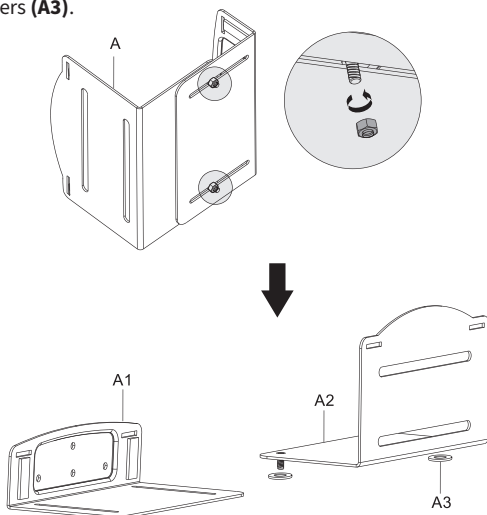
CAUTION!

DO NOT INSTALL INTO DRYWALL ALONE. VERIFY YOUR WALL CONSTRUCTION. USE WOOD STUDS IN ADDITION TO DRYWALL ANCHORS TO MOUNT. If unsure, please contact us at vivo-us.com, email at help@vivo-us.com, or call us at 309-278-5303.

ASSEMBLY STEPS

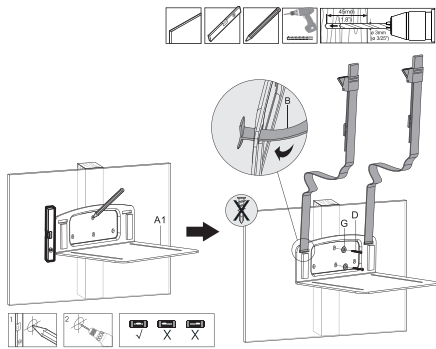
STEP 1

Remove the nuts from the CPU holder (**A**) and separate into wall bracket (**A1**), end bracket (**A2**) and washers (**A3**).



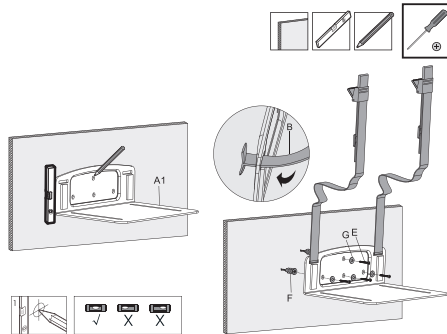
STEP 2

Wood Stud Installation: Place the wall bracket (A1) against the wall and mark drilling locations with a pencil. Use of a stud finder and level is recommended. Drill 1.8" (45mm) deep hole(s) using a 1/8" (3mm) bit. Thread the "T" end of each strap (B) into the slots in the wall bracket (A1), then mount the wall bracket using ST4.2x45 screws (D) with washers (G).



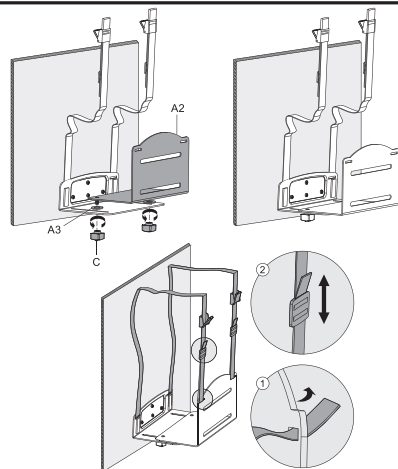
Drywall Installation:

Place the wall bracket (A1) against the wall and mark drilling locations with a pencil. Use of a level is recommended. Thread the self-tapping drywall anchors (F) directly into drilling locations. Thread the "T" end of each strap (B) into the slots in the wall bracket (A1), then mount the wall bracket (A1) using ST4.2x32 screws (E) with washers (G). **Please note, at least 1 screw hole must be aligned with a wood stud for strength.**



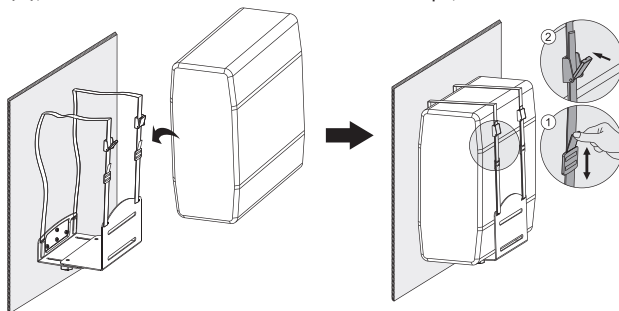
STEP 3

Reassemble the end bracket (A2) and washers (A3) to the wall bracket (A1) using the knobs (C), leaving slightly loose for later adjustment. Thread the end of each strap (B) through the slots in the end bracket, then back up into the clip on each strap as shown.



STEP 4

Place the CPU tower into the holder (A), then adjust the end bracket to fit and tighten the knobs (C). Tighten the straps (B), thread the ends into the buckles on the straps, and close the buckles to secure.





Open **Monday - Friday 7:00am - 7:00pm** CST,
our dedicated support team can offer immediate assistance with rapid response times. If any parts are received damaged or defective, please contact us. We are happy to replace parts to ensure you have a fully functioning product.


 help@vivo-us.com

AVG. RESPONSE TIME (*within office hrs*): **1HR 8M**

- 23% within < 15m
- 38% within < 30m
- 61% within < 1hr
- 83% within < 2hr
- 92% within < 3hr

 www.vivo-us.com
Chat live with an agent!

AVG. RESOLUTION TIME (*within office hrs*): **< 15 M**

 309-278-5303

AVG. RESOLUTION TIME (*within office hrs*): **5M 4S**