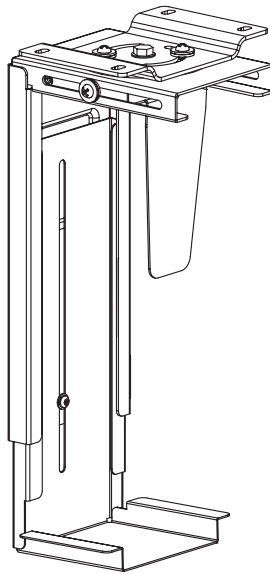




Black Under Desk and Wall PC Mount Instruction Manual



SKU: MOUNT-PC01



Scan the QR code with your mobile device or follow the link for helpful videos and specifications related to this product.

<https://vivo-us.com/products/mount-pc01>

GET IN TOUCH | Monday-Friday from 7:00am-7:00pm CST



help@vivo-us.com



www.vivo-us.com
Chat live with an agent!



309-278-5303

WARNING!

If you do not understand these directions, or if you have any doubts about the safety of the installation, please call a qualified technician. Check carefully to make sure there are no missing or defective parts. Improper installation may cause damage or serious injury. Do not use this product for any purpose that is not explicitly specified in this manual. Do not exceed weight capacity. We cannot be liable for damage or injury caused by improper mounting, incorrect assembly or inappropriate use.

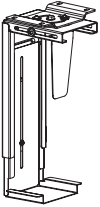


DO NOT INSTALL INTO DRYWALL ALONE. VERIFY YOUR WALL CONSTRUCTION. USE WOOD STUDS TO MOUNT. We include mounting for brick and concrete. If unsure, please contact us at vivo-us.com, email at help@vivo-us.com, or call us at 309-278-5303.

WARNING: CHOKING HAZARD

SMALL PARTS - NOT FOR CHILDREN UNDER 3 YEARS. ADULT SUPERVISION IS REQUIRED.

PACKAGE CONTENTS



A (x1)
Mount



B (x12)
Pad



M-A (x4)
ST4.8x16mm Screw



M-B (x4)
ST4.8x38mm Screw



M-C (x4)
Concrete Anchor



M-D (x4)
Washer



T-A (x1)
4mm Allen Wrench

DO NOT EXCEED WEIGHT CAPACITY.
Failure to do so may result in serious injury.



TOOLS NEEDED



Drill



**Phillips
Screwdriver**



Level

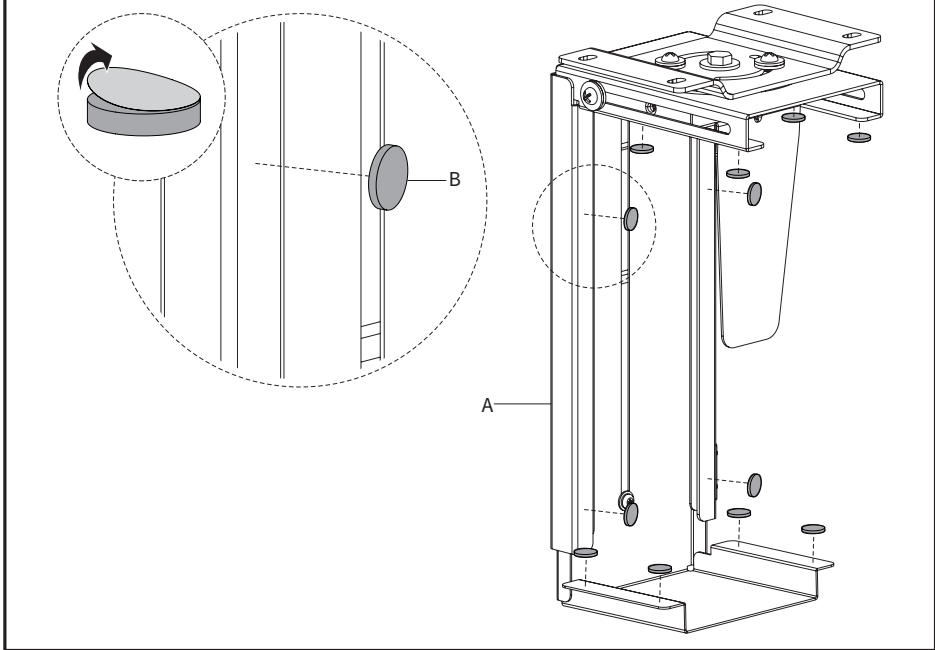


Pencil

ASSEMBLY STEPS

STEP 1

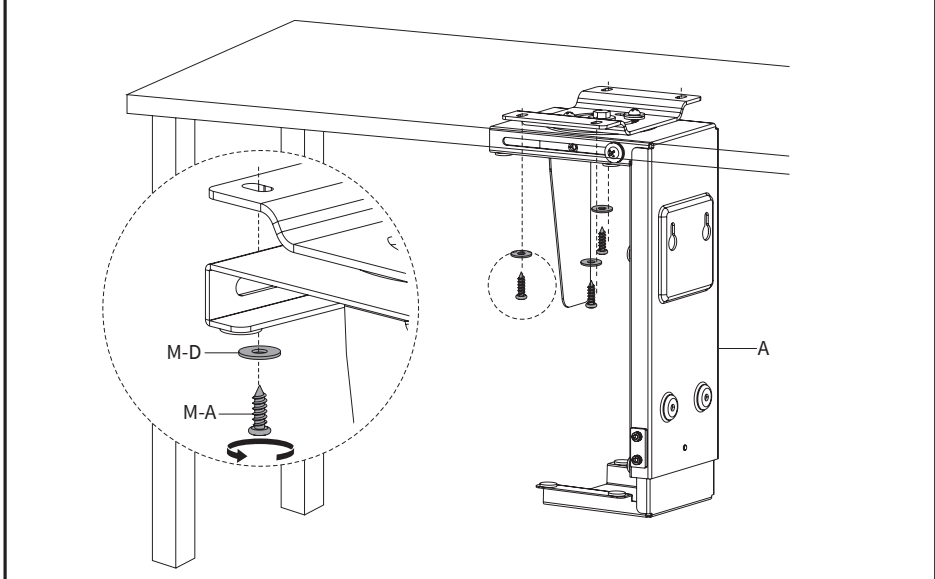
Apply Pads (B) to top, bottom, and side of Mount (A) as shown.



STEP 2A-1

OPTION A: Under Desk Installation

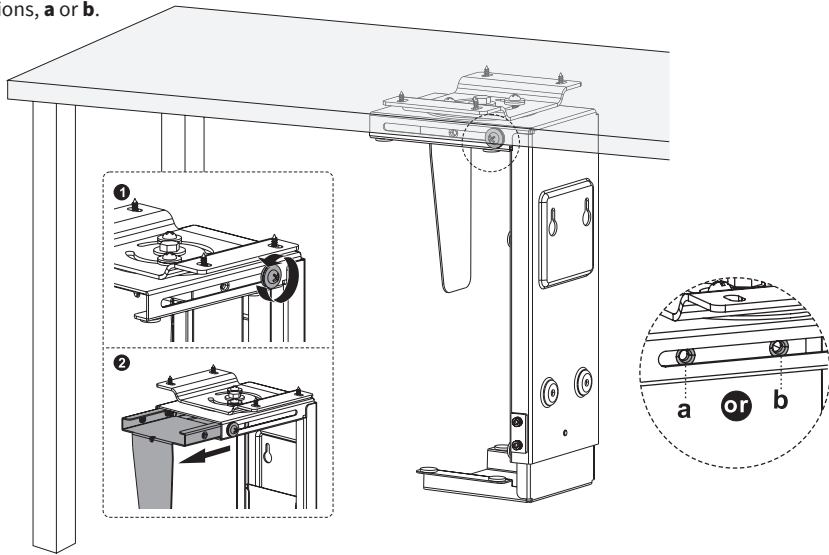
Secure Mount (A) to bottom of desk using ST4.8x16mm Screws (M-A) and Washers (M-D).



STEP 2A-2

OPTION A: Under Desk Installation

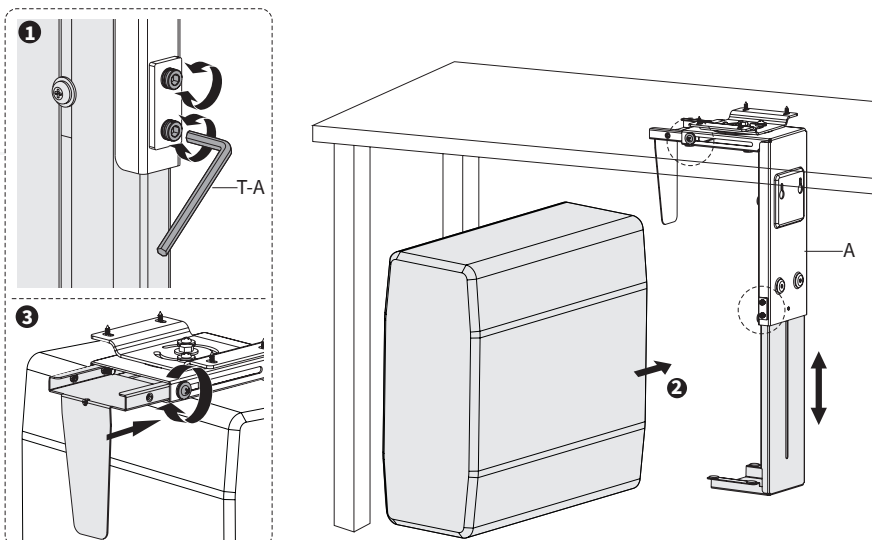
Loosen two screws on top of Mount (A) (one on each side) and slide side support bracket out to maximum width. The screws can be removed to adjust the side support bracket to one of two positions, a or b.



STEP 2A-3

OPTION A: Under Desk Installation

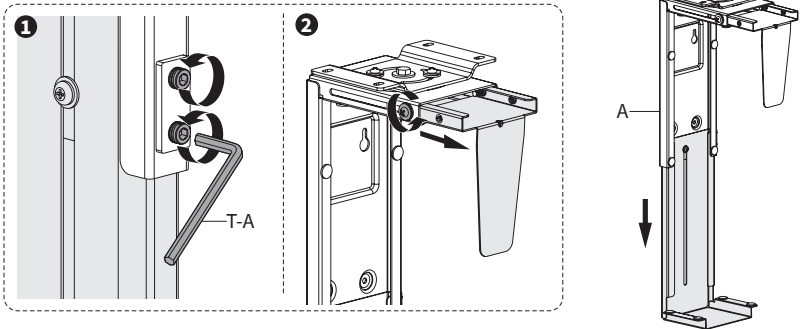
Loosen set screws for lower support using 4mm Allen wrench (T-A) and slide the support down. Place PC tower on Mount (A), slide bottom support up until Mount (A) is fit vertically to PC, and tighten set screws using 4mm Allen Wrench (T-A). Slide side bracket into place to hold PC, and tighten screws using a Phillips screwdriver.



STEP 2B-1

OPTION B: Wood Wall Installation

Loosen two screws on top of Mount (A) (one on each side) and slide side support bracket out to maximum width. Loosen set screws for lower support using 5mm Allen Wrench (T-A) and slide the support down.



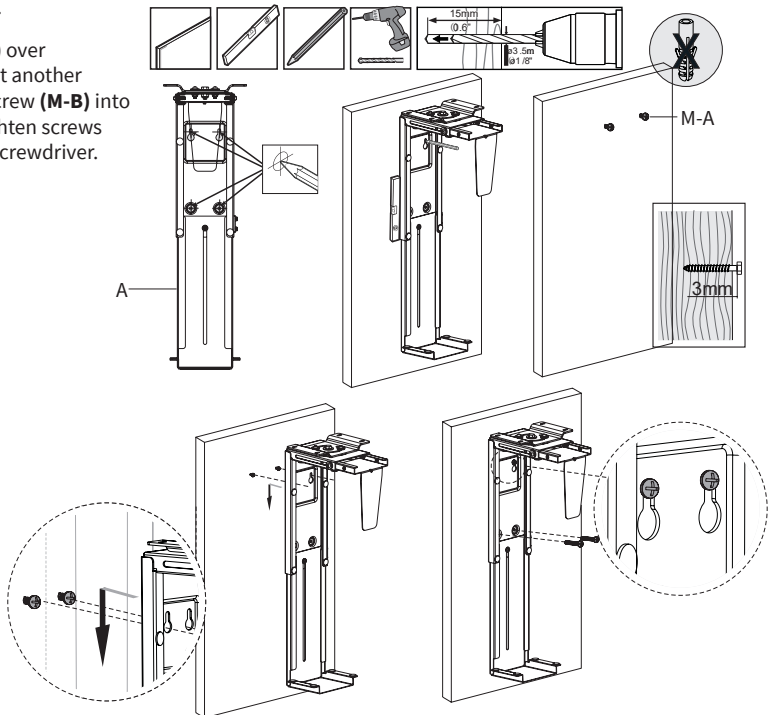
STEP 2B-2A

OPTION B: Wood Wall Installation

For solid wood wall, place Mount (A) against wall and mark drilling locations. Using a 1/8" (3.5mm) drill bit, drill holes 0.67" (15mm) deep. Insert two ST4.8x16mm Screws (M-A) into top holes, leaving a 3mm of thread exposed. Hang Mount (A) over screws and insert two more ST4.8x16mm Screws (M-A) into lower holes. Tighten screws with a Phillips screwdriver.

If wall has a wood stud frame, use a stud finder to locate the stud, then place Mount (A) against wall and mark drilling locations for top and bottom holes on only one side of the mount. Using a 1/8" (3.5mm) drill bit, drill holes 1.2" (35mm) deep. Insert a ST4.8x38mm Screw (M-B) into top hole, leaving 3mm of thread exposed.

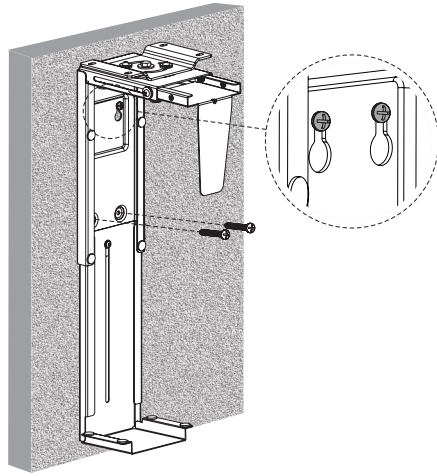
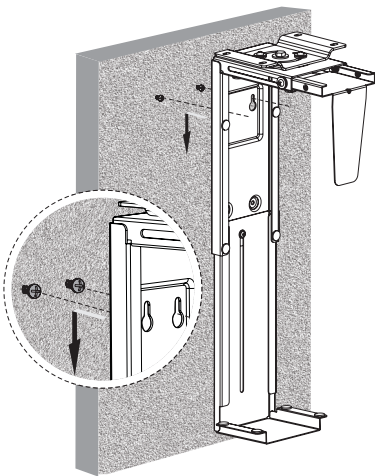
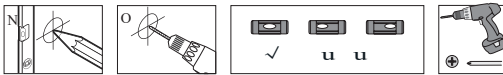
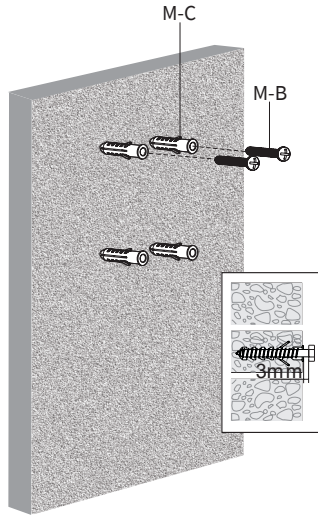
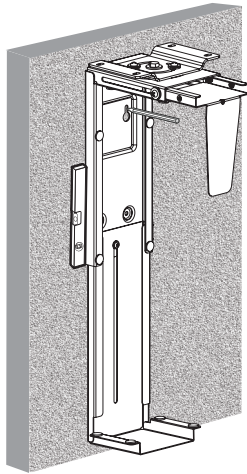
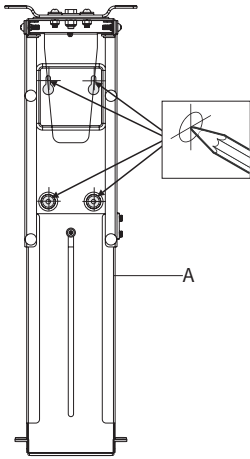
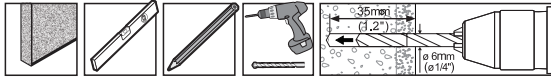
Hang Mount (A) over screw and insert another ST4.8x38mm Screw (M-B) into lower hole. Tighten screws with a Phillips screwdriver.



OPTION C: Concrete Wall Installation

For concrete wall installation, place Mount (A) against the wall and mark locations with a pencil. Drill 1.2" (35mm) deep holes at marked locations using a 1/4" (6mm) drill bit. Insert Concrete Anchors (M-C) into holes, and insert two ST4.8x38mm Screws (M-B) into top holes, leaving 3mm if thread exposed.

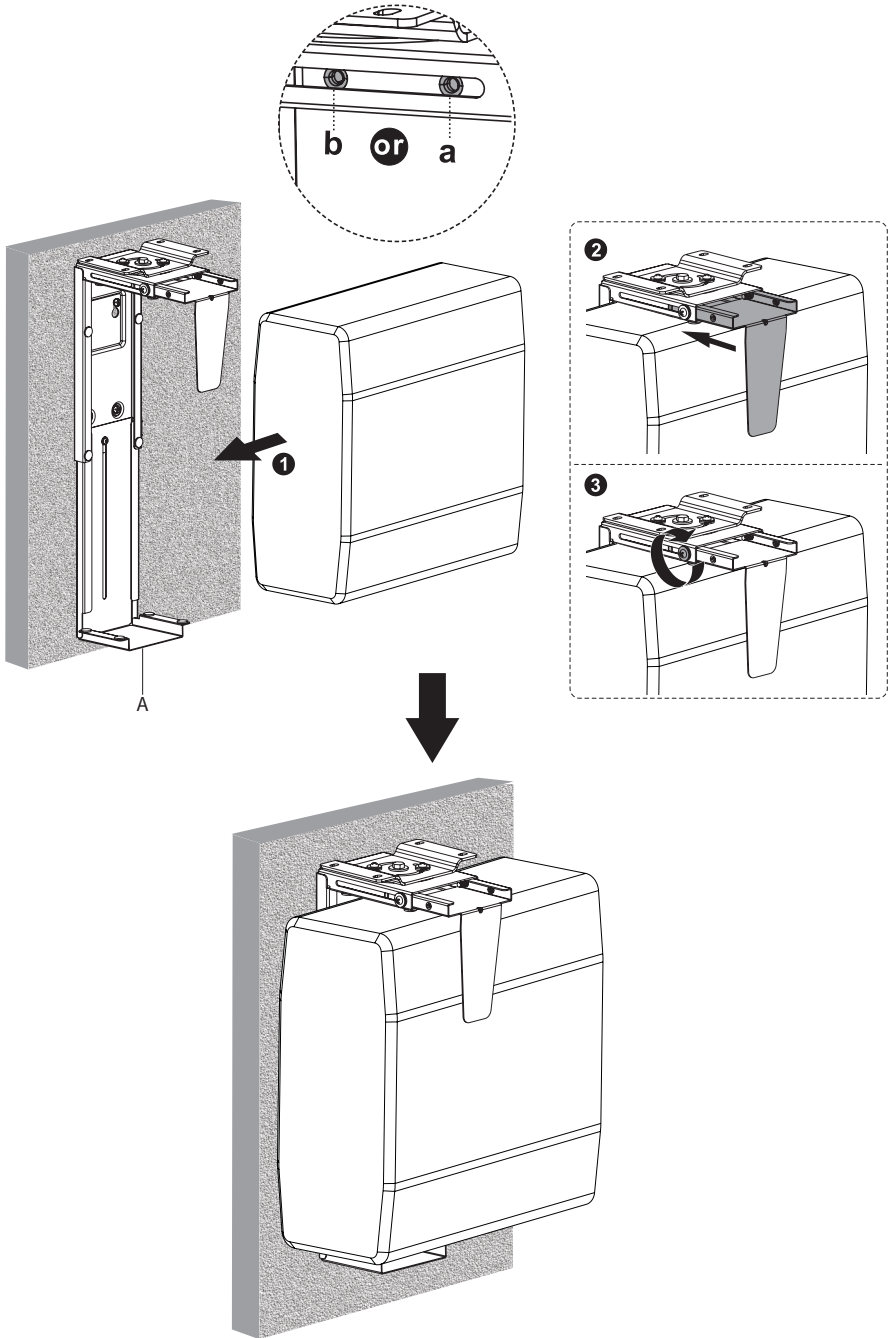
Hang Mount (A) over two screws in the wall. Secure with two additional ST4.8x38mm Screws (M-B), and tighten screws with a Phillips screwdriver.



STEP 2B-3

OPTION C: Concrete Wall Installation

Place PC tower on Mount (A), slide bottom support up until mount is fit vertically to PC, and tighten set screws using 4mm Allen Wrench (T-A). Slide side bracket into place to hold PC, and tighten screws using a Phillips screwdriver. The screws can be removed to adjust the side support bracket to one of two positions, **a** or **b**.





Open **Monday - Friday 7:00am - 7:00pm** CST,
our dedicated support team can offer immediate assistance with rapid response times. If any parts are received damaged or defective, please contact us. We are happy to replace parts to ensure you have a fully functioning product.



309-278-5303

AVG. RESOLUTION TIME (*within office hrs*): **5M 4S**



www.vivo-us.com
Chat live with an agent!

AVG. RESOLUTION TIME (*within office hrs*): **< 15 M**



help@vivo-us.com

AVG. RESPONSE TIME (*within office hrs*): **1HR 8M**

- 23% within < 15m
- 38% within < 30m
- 61% within < 1hr
- 83% within < 2hr
- 92% within < 3hr