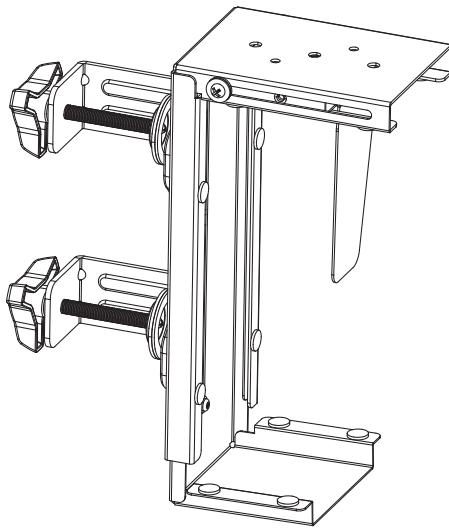




---

## Black Under Desk Leg Clamp PC Mount

### Instruction Manual



**SKU: MOUNT-PC01C**



Scan the QR code with your mobile device or follow the link for helpful videos and specifications related to this product.

<https://vivo-us.com/products/mount-pc01c>

---

GET IN TOUCH | Monday-Friday from 7:00am-7:00pm CST



help@vivo-us.com



www.vivo-us.com  
*Chat live with an agent!*



309-278-5303

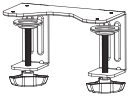
**⚠ WARNING!**

If you do not understand these directions, or if you have any doubts about the safety of the installation, please call a qualified technician. Check carefully to make sure there are no missing or defective parts. Improper installation may cause damage or serious injury. Do not use this product for any purpose that is not explicitly specified in this manual. Do not exceed weight capacity. We cannot be liable for damage or injury caused by improper mounting, incorrect assembly or inappropriate use.

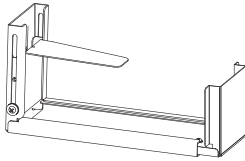
**⚠ WARNING: CHOKING HAZARD**

SMALL PARTS - NOT FOR CHILDREN UNDER 3 YEARS. ADULT SUPERVISION IS REQUIRED.

**PACKAGE CONTENTS**



**A (x1)**  
Clamp



**B (x1)**  
Mount



**C (x12)**  
Pad



**S-A (x4)**  
M5x6mm Screw



**T-A (x1)**  
4mm Allen Wrench

**TOOLS NEEDED**



**Phillips  
Screwdriver**



**4mm Allen  
Wrench**

**DO NOT EXCEED WEIGHT CAPACITY.**

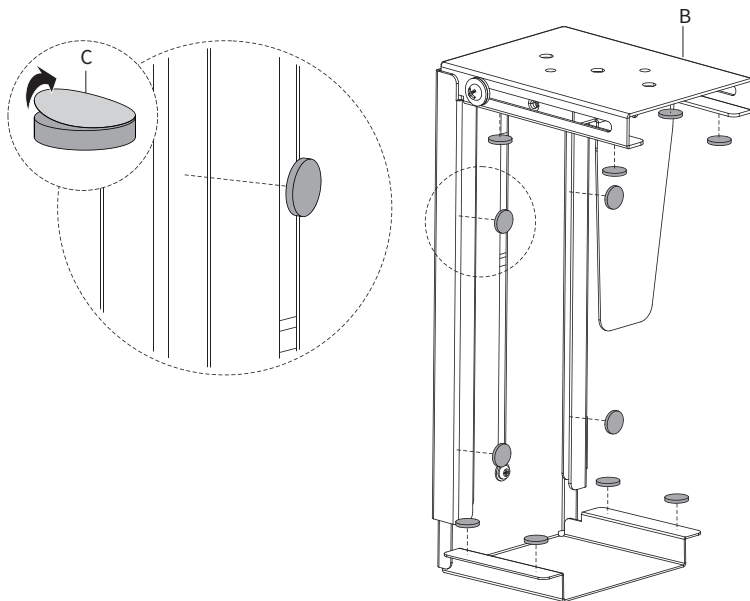
Failure to do so may result in serious injury.



# ASSEMBLY STEPS

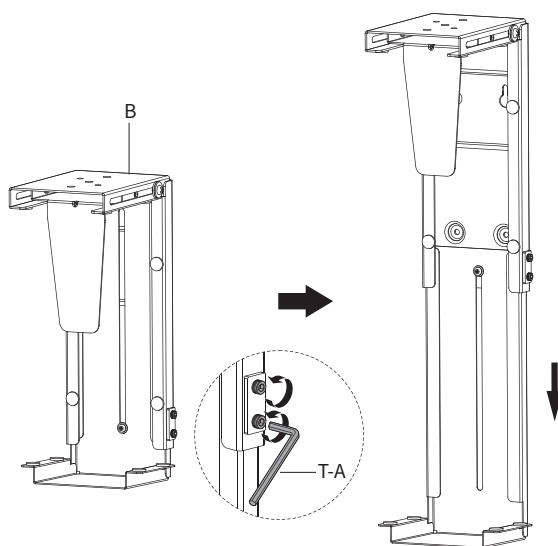
## STEP 1

Apply Pads (C) to top, bottom, and side of Mount (B) as shown.



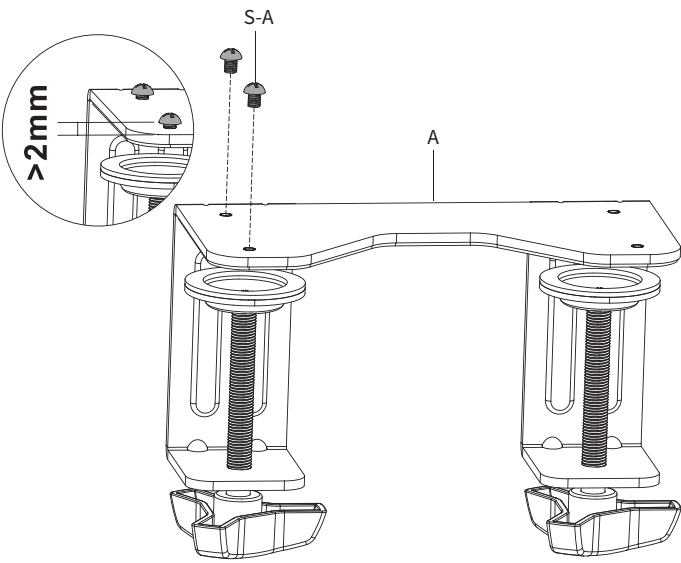
## STEP 2

Loosen the sets screws on the either side of Mount (B) using 4mm Allen Wrench (T-A) to adjust the height.



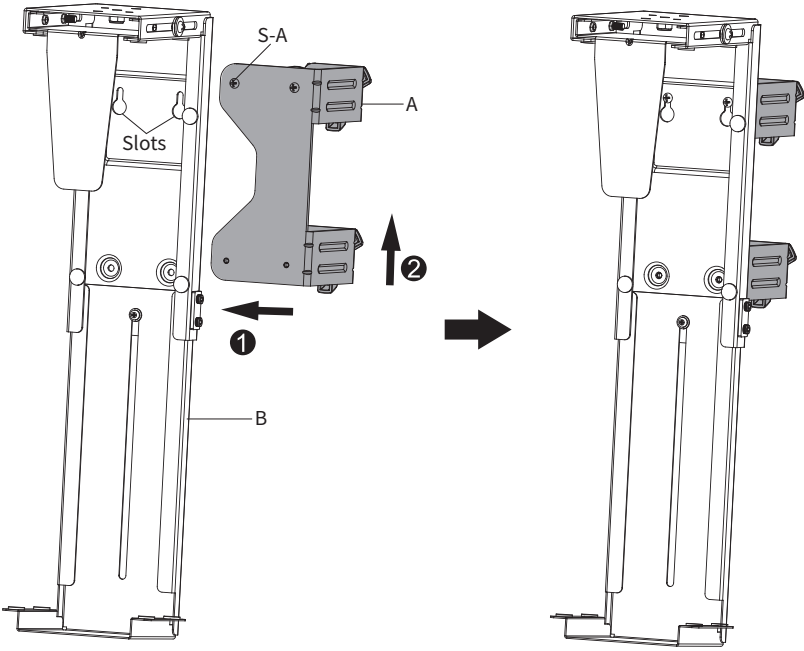
**STEP 3**

Insert M5x6mm Screws (**S-A**) into Clamp (**A**) leaving a 2mm gap.



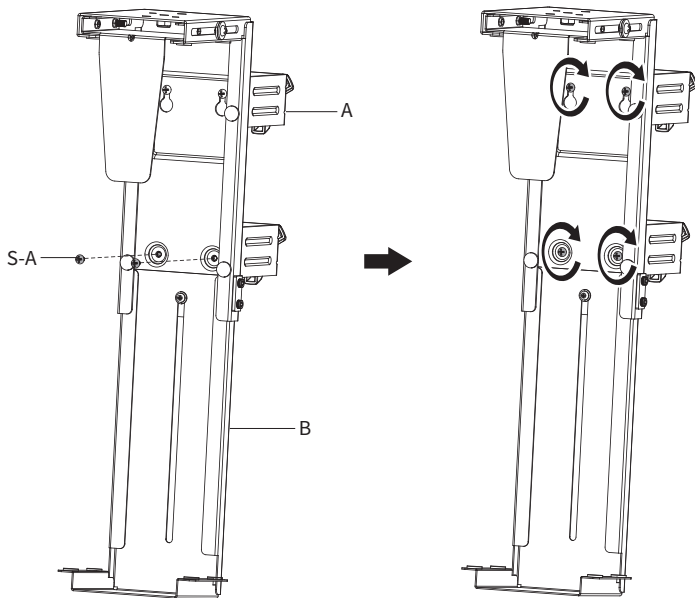
**STEP 4**

Insert the heads of M5x6mm Screws (**S-A**) with Clamp (**A**) into the slots in Mount (**B**).



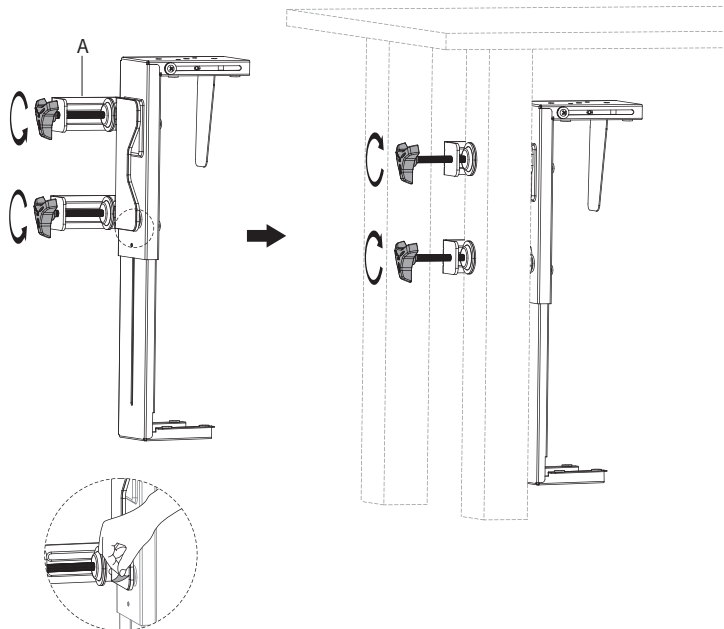
## STEP 5

Secure Clamp (A) to Mount (B) using M5x6mm Screws (S-A) in the lower holes. Tighten all screws using a Phillips screwdriver.



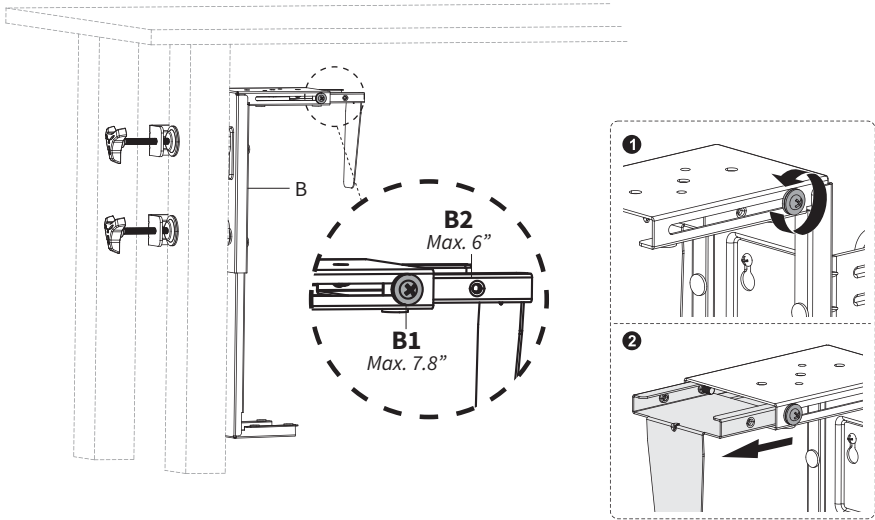
## STEP 6

Remove the protective film from Clamp (A) and assemble Clamp (A) to the desk leg by tightening both knobs.



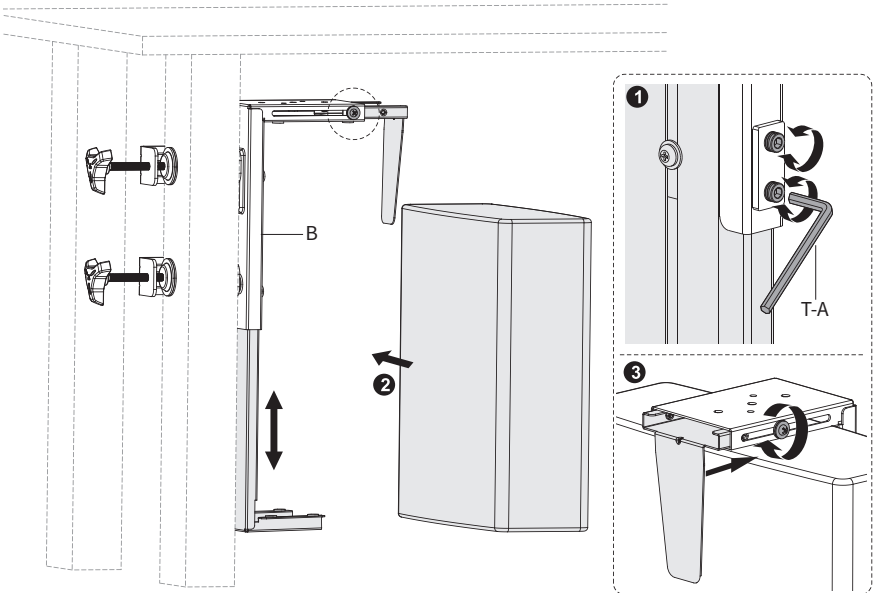
### STEP 7

Loosen two screws on top of Mount (B) and slide side support bracket out to maximum width. If needed, screws can be moved to an alternative hole for greater width adjustment. **Hole B1** has a 7.8" max. width, and **Hole B2** has 6" max width.



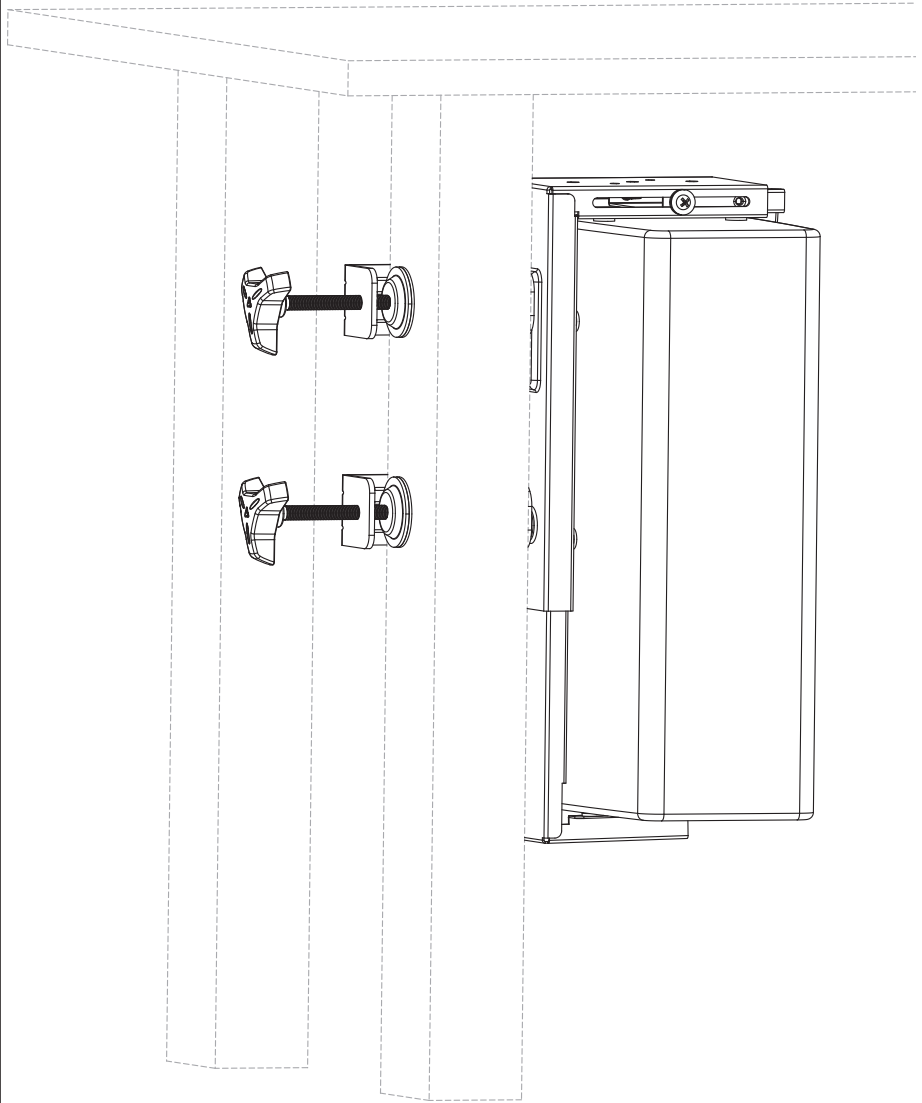
### STEP 8

Place PC tower in Mount (B), slide bottom support up until Mount (B) is fit vertically to PC, and tighten set screws using 4mm Allen Wrench (T-A). Slide the side bracket into place to hold PC, and tighten screws using a Phillips screwdriver.



## STEP 9

The PC mount is now ready for use.





Open **Monday - Friday 7:00am - 7:00pm** CST,  
our dedicated support team can offer immediate assistance with rapid response times. If any parts are received damaged or defective, please contact us. We are happy to replace parts to ensure you have a fully functioning product.



309-278-5303

**AVG. RESOLUTION TIME** (*within office hrs*): **5M 4S**



[www.vivo-us.com](http://www.vivo-us.com)  
*Chat live with an agent!*

**AVG. RESOLUTION TIME** (*within office hrs*): **< 15 M**



[help@vivo-us.com](mailto:help@vivo-us.com)

**AVG. RESPONSE TIME** (*within office hrs*): **1HR 8M**

- 23% within < 15m
- 38% within < 30m
- 61% within < 1hr
- 83% within < 2hr
- 92% within < 3hr