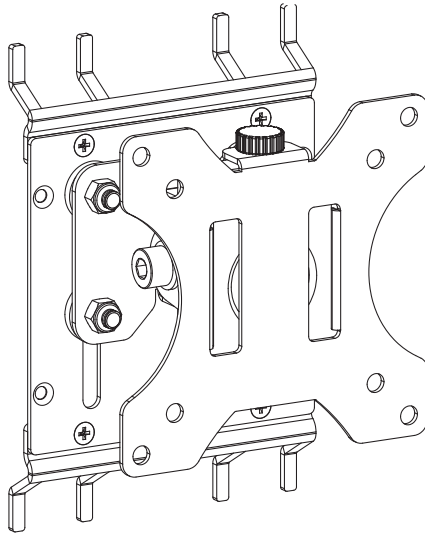




---

## Single Monitor Pegboard Panel Mount Instruction Manual



**SKU: MOUNT-PB1**



Scan the QR code with your mobile device or follow the link for helpful videos and specifications related to this product.

**<https://vivo-us.com/products/mount-pb1>**

---

**GET IN TOUCH** | Monday-Friday from 7:00am-7:00pm CST



help@vivo-us.com



www.vivo-us.com  
*Chat live with an agent!*



309-278-5303

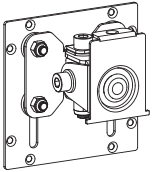
# **WARNING!**

If you do not understand these directions, or if you have any doubts about the safety of the installation, please call a qualified technician. Check carefully to make sure there are no missing or defective parts. Improper installation may cause damage or serious injury. Do not use this product for any purpose that is not explicitly specified in this manual. Do not exceed weight capacity. We cannot be liable for damage or injury caused by improper mounting, incorrect assembly or inappropriate use.

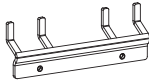
## **WARNING: CHOKING HAZARD**

SMALL PARTS - NOT FOR CHILDREN UNDER 3 YEARS. ADULT SUPERVISION IS REQUIRED.

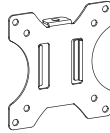
### PACKAGE CONTENTS



**A (x1)**  
Mount Base



**B (x2)**  
Mounting  
Prongs



**C (x1)**  
VESA Plate



**S-A (x1)**  
M6x10mm  
Screw



**S-B (x4)**  
M4x8mm  
Screw



**M-A (x4)**  
M4x12mm  
Screw



**M-B (x4)**  
M4x16mm  
Screw



**M-C (x4)**  
M5x12mm  
Screw



**M-D (x4)**  
M5x16mm  
Screw



**M-E (x4)**  
M5 Washer



**M-F (x4)**  
Spacer



**T-A (x1)**  
6mm Allen  
Wrench



**T-B (x1)**  
Wrench

**NOTE: SOME HARDWARE INCLUDED MAY NOT BE USED**

**DO NOT EXCEED WEIGHT CAPACITY.**  
Failure to do so may result in serious injury.



### TOOLS NEEDED

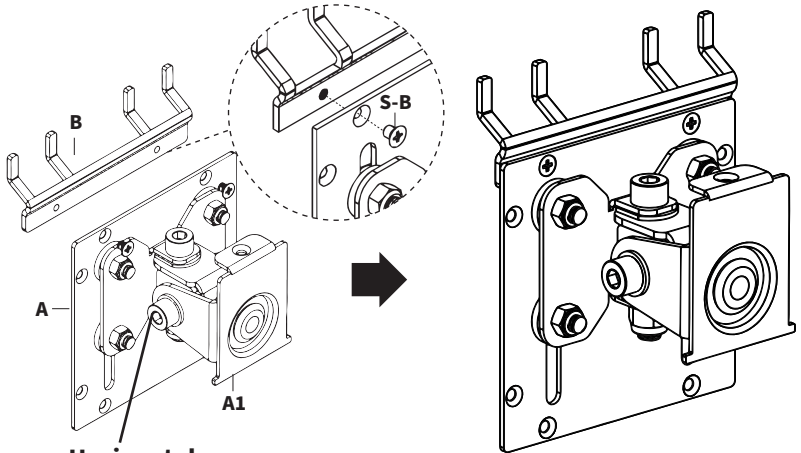


**Phillips  
Screwdriver**

# ASSEMBLY STEPS

## STEP 1

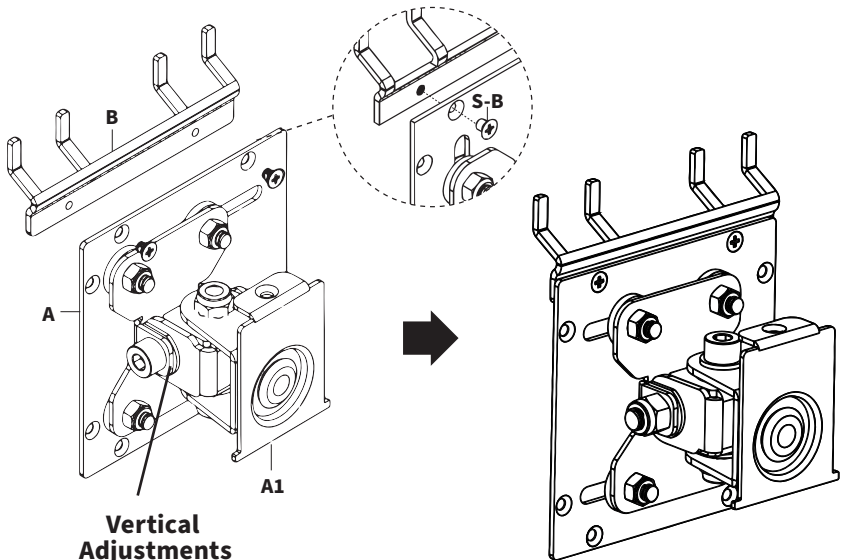
Attach one set of Prongs (B) to the top of Mount Base (A) using M4x8mm Screws (S-B) and a Phillips head screwdriver. Ensure that VESA Head (A1) is pointing up as shown below.



### Horizontal Adjustments

*Allows for greater tilt adjustment*

Prongs can be installed in two different orientations to allow for additional adjustment in the horizontal or vertical direction, as noted in images.

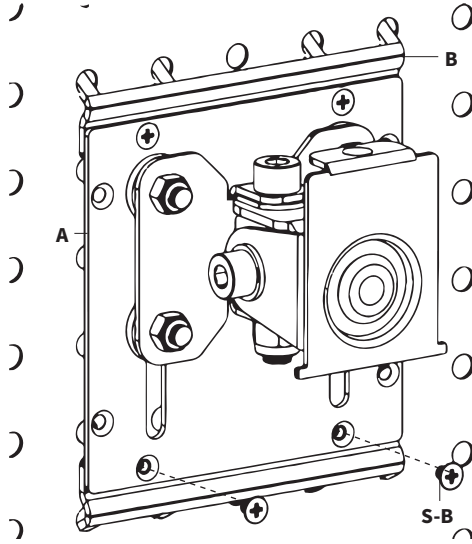


### Vertical Adjustments

*Allows for greater side rotation adjustment*

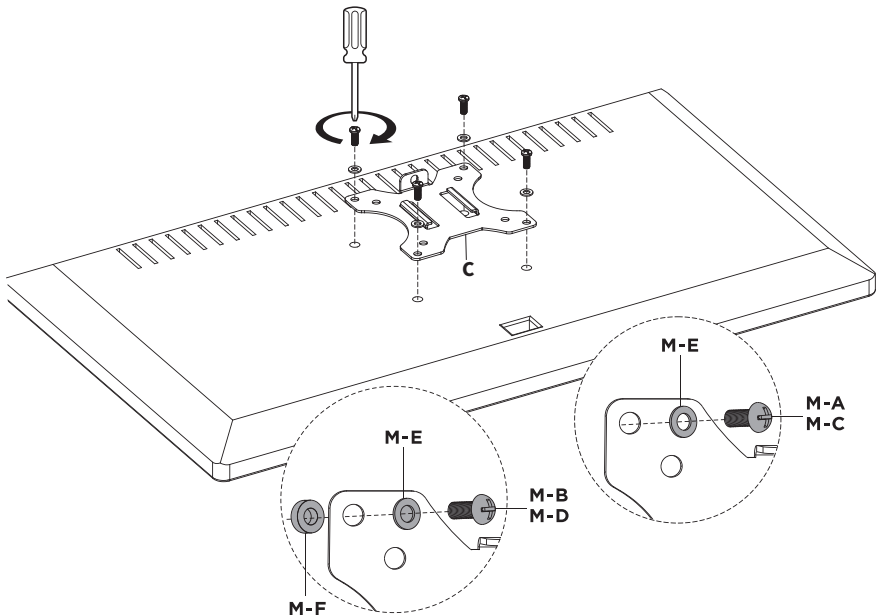
## STEP 2

Attach Mounts Base **(A)** with Prongs **(B)** to the pegboard. Instal remaining set of Prongs **(B)** to pegboard, slightly lifting Mount Base **(A)** forward to get the Prongs behind the Base. Secure Prongs **(B)** using M4x8mm Screws **(S-B)** and a Phillips head screwdriver.



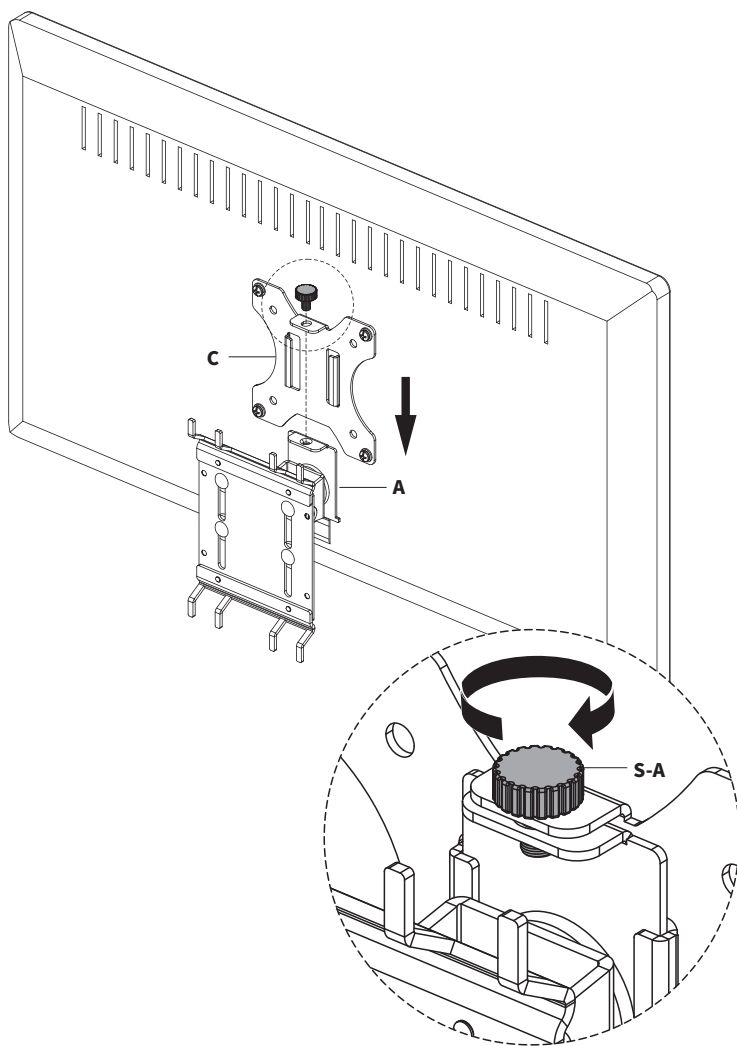
## STEP 3

Secure VESA Plate **(C)** to monitor using appropriate Screws **(M-A thru M-D)**, Washers **(M-E)**, and a Phillips head screwdriver. Spacers **(M-F)** may be required.



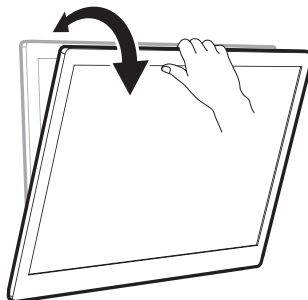
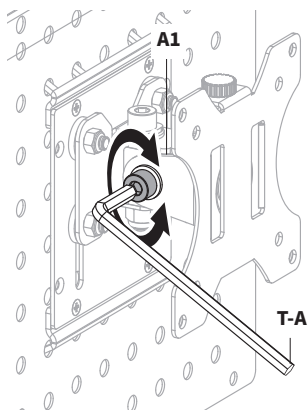
## STEP 4

Slide monitor with VESA Plate **(C)** onto the Mount Base **(A)**. Secure VESA Plate **(C)** in place using M6x10mm Thumbscrew **(S-A)**.



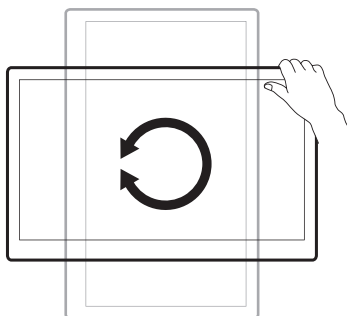
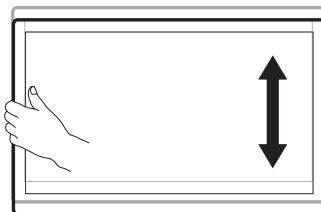
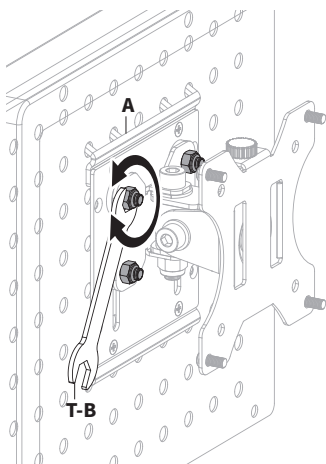
# Adjust as Desired

If monitor is sagging or adjustments need to be made, use 6mm Allen Wrench (**T-A**) to tighten or loosen swivel joint on VESA Head (**A1**).



---

Adjust the positioning of monitor by loosening the four nuts on the Mount Base (**A**) using the Wrench (**T-B**).



[ THIS PAGE INTENTIONALLY LEFT BLANK ]



Open **Monday - Friday 7:00am - 7:00pm** CST,  
our dedicated support team can offer immediate assistance with rapid response times. If any parts are received damaged or defective, please contact us. We are happy to replace parts to ensure you have a fully functioning product.



309-278-5303

**AVG. RESOLUTION TIME** (*within office hrs*): **5M 4S**



[www.vivo-us.com](http://www.vivo-us.com)  
*Chat live with an agent!*

**AVG. RESOLUTION TIME** (*within office hrs*): **< 15 M**



[help@vivo-us.com](mailto:help@vivo-us.com)

**AVG. RESPONSE TIME** (*within office hrs*): **1HR 8M**

- 23% within < 15m
- 38% within < 30m
- 61% within < 1hr
- 83% within < 2hr
- 92% within < 3hr