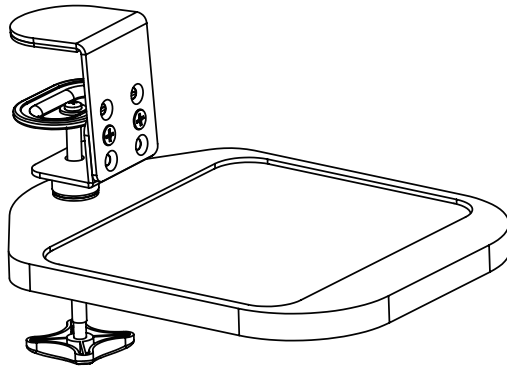




---

## Wooden Clamp-on Mouse Pad

### Instruction Manual



**SKU: MOUNT-MS01B**



Scan the QR code with your mobile device or follow the link for helpful videos and specifications related to this product.

<https://vivo-us.com/products/mount-ms01b>

---

GET IN TOUCH | Monday-Friday from 7:00am-7:00pm CST



help@vivo-us.com



www.vivo-us.com  
*Chat live with an agent!*



309-278-5303

# **WARNING!**

If you do not understand these directions, or if you have any doubts about the safety of the installation, please call a qualified technician. Check carefully to make sure there are no missing or defective parts. Improper installation may cause damage or serious injury. Do not use this product for any purpose that is not explicitly specified in this manual. Do not exceed weight capacity. We cannot be liable for damage or injury caused by improper mounting, incorrect assembly or inappropriate use.

## **WARNING: CHOKING HAZARD**

SMALL PARTS - NOT FOR CHILDREN UNDER 3 YEARS. ADULT SUPERVISION IS REQUIRED.

### PACKAGE CONTENTS



**A (x1)**  
Mouse Pad



**B (x1)**  
Lower Clamp



**C (x1)**  
Upper Clamp



**D (x1)**  
Clamp Screw



**E (x1)**  
Clamp Plate



**S-A (x2)**  
M6x7 Screw



**S-B (x1)**  
M5x12 Screw



**S-C (x1)**  
14.5mm Washer



**S-D (x1)**  
14.5mm  
Plastic Washer



**S-E (x1)**  
10.2mm  
Plastic Washer



**S-F (x1)**  
10.2mm Washer



**S-G (x1)**  
5.2mm Washer



**S-H (x1)**  
6.5mm Washer

### TOOLS NEEDED



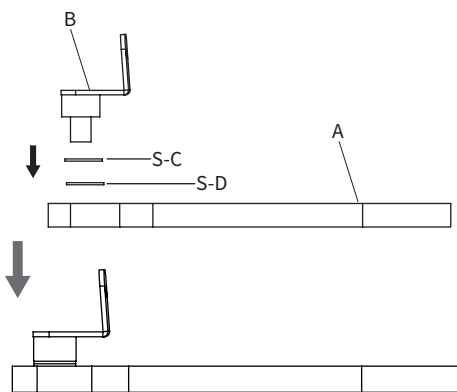
**DO NOT EXCEED WEIGHT CAPACITY.**  
Failure to do so may result in serious injury.



# ASSEMBLY STEPS

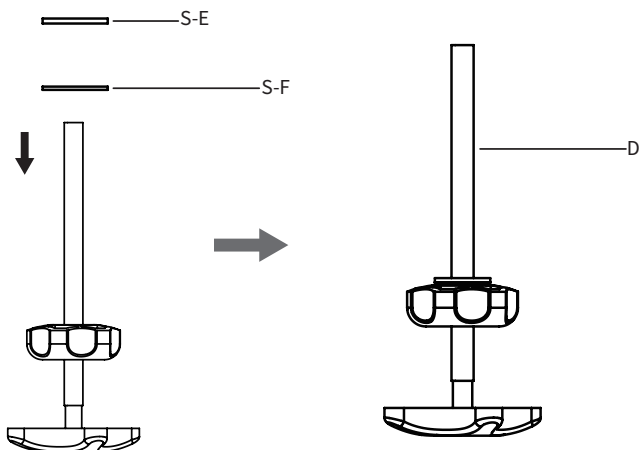
## STEP 1

Insert Lower Clamp (**B**) with 14.5mm Washer (**S-C**) and 14.5mm Plastic Washer (**S-D**) into Mouse Pad (**A**).



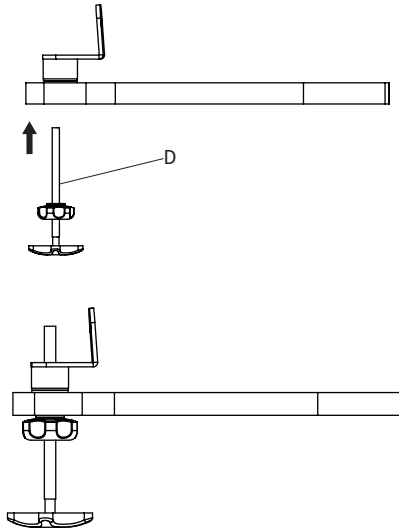
## STEP 2

Place 10.2mm Washer (**S-F**) and 10.2mm Plastic Washer (**S-E**) onto Clamp Screw (**D**).



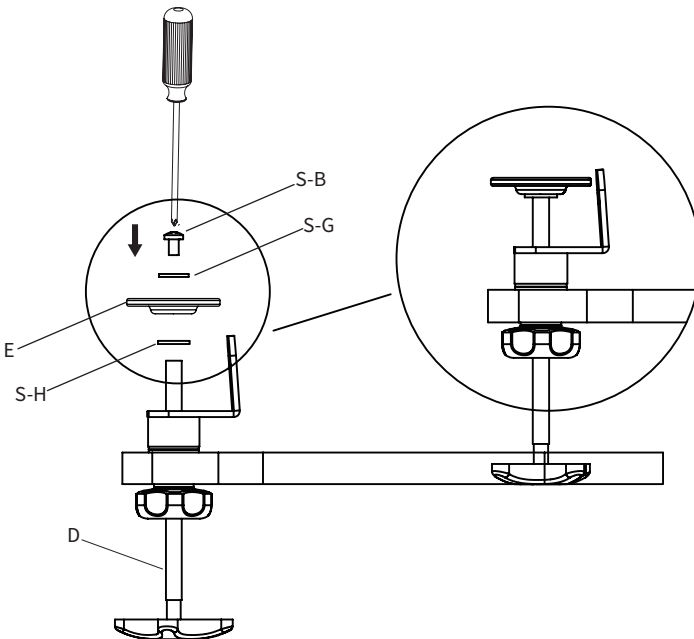
### STEP 3

Insert Clamp Screw (**D**) into Mouse Pad (**A**).



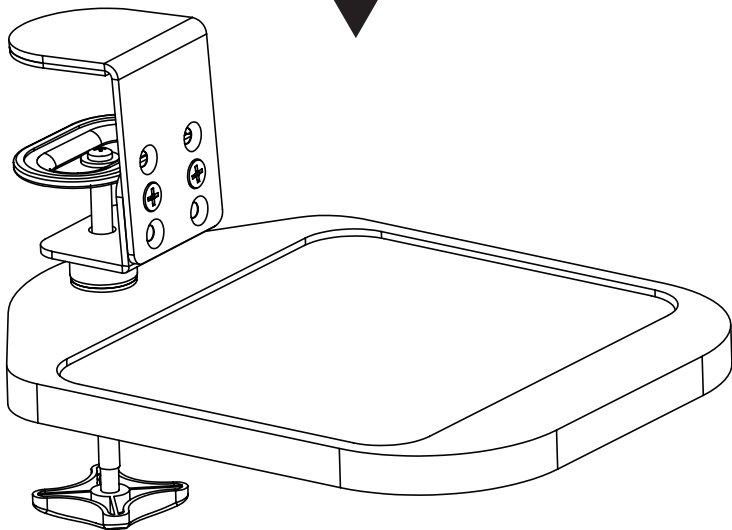
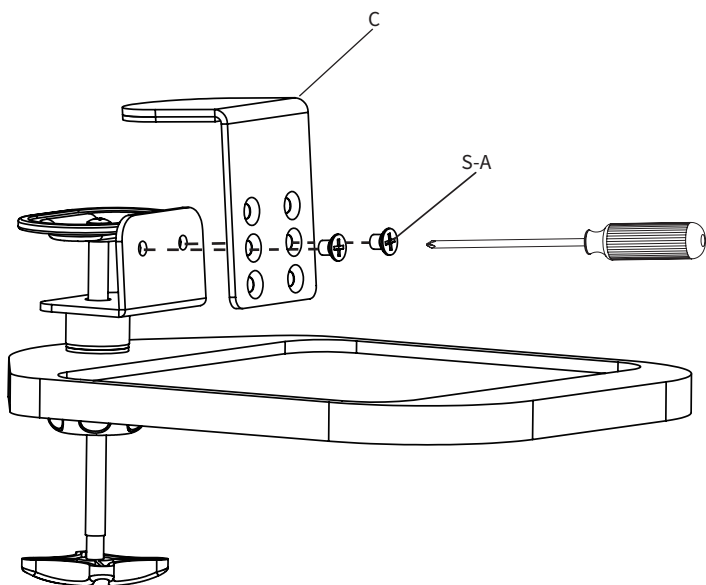
### STEP 4

Place 6.5mm Washer (**S-H**), Clamp Plate (**E**), and 5.2mm Washer (**S-G**) onto Clamp Screw (**D**) and secure using M5x12 Screw (**S-B**) and a phillips screwdriver.



## STEP 5

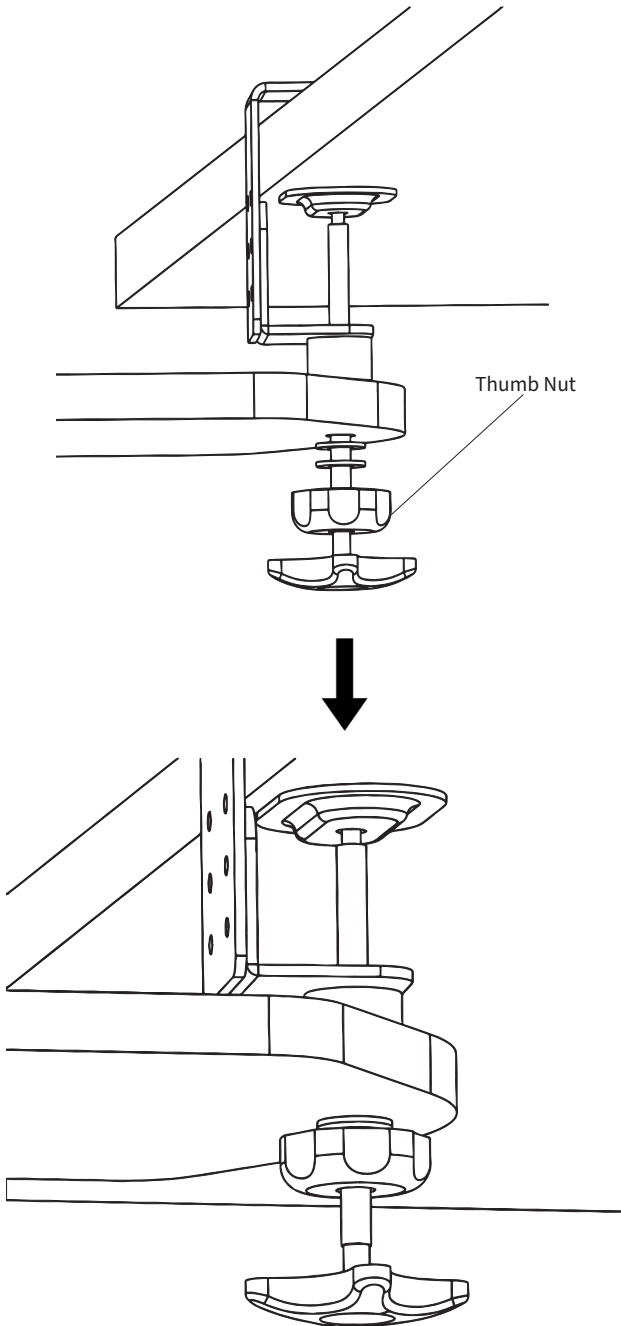
Secure Upper Clamp (C) to clamp assembly using M6x7 Screws (S-A) and a phillips screwdriver.



## STEP 6

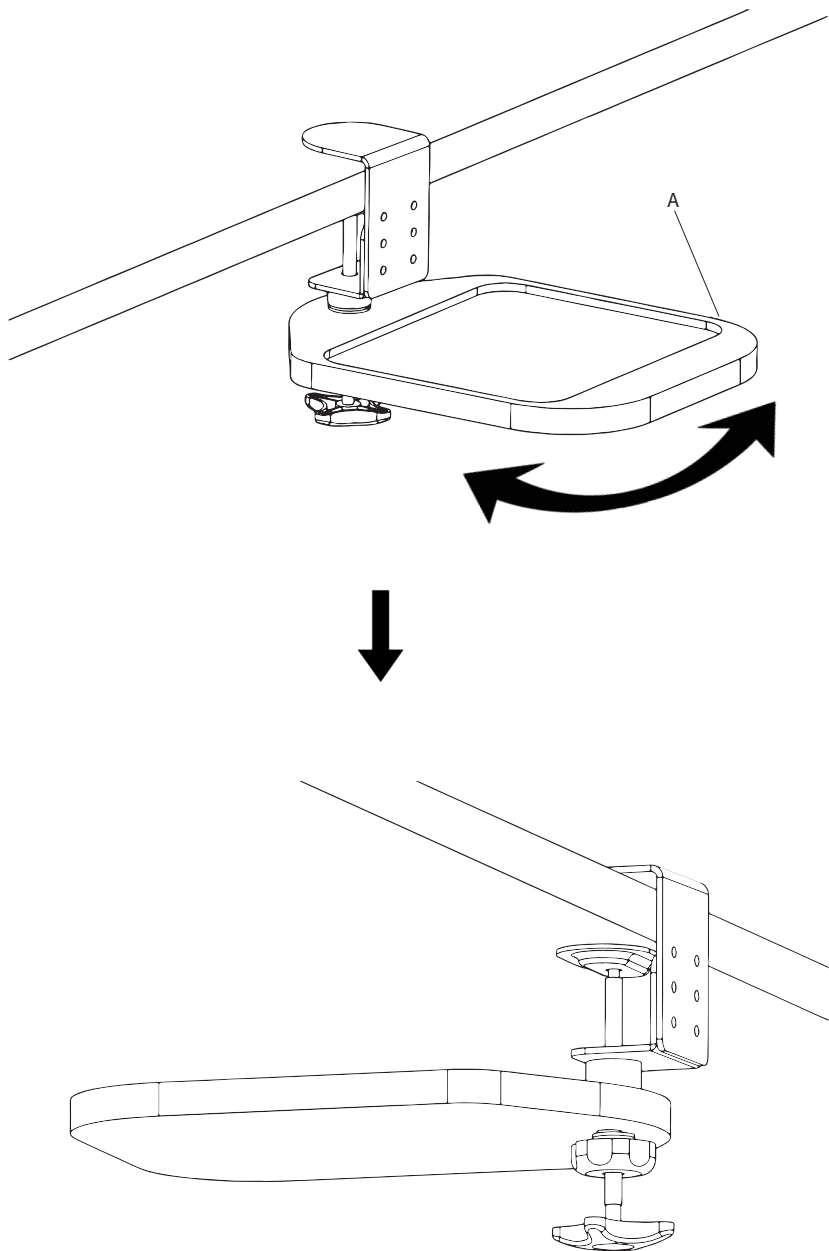
After the clamp is attached, tighten the thumb nut against the bottom of Mouse Pad (A).

**NOTE:** Adjusting the tightness of the thumb nut will change the resistance when rotating the mouse pad.



## STEP 7

When not in use, Mouse Pad **(A)** can be rotated under the desktop for storage.





Open **Monday - Friday 7:00am - 7:00pm** CST,  
our dedicated support team can offer immediate assistance with rapid response times. If any parts are received damaged or defective, please contact us. We are happy to replace parts to ensure you have a fully functioning product.

 [help@vivo-us.com](mailto:help@vivo-us.com)

**AVG. RESPONSE TIME** (*within office hrs*): **1HR 8M**

- 23% within < 15m
- 38% within < 30m
- 61% within < 1hr
- 83% within < 2hr
- 92% within < 3hr



[www.vivo-us.com](http://www.vivo-us.com)  
*Chat live with an agent!*

**AVG. RESOLUTION TIME** (*within office hrs*): **< 15 M**



309-278-5303

**AVG. RESOLUTION TIME** (*within office hrs*): **5M 4S**